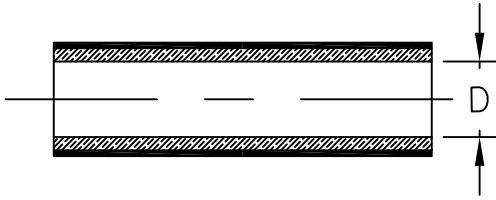


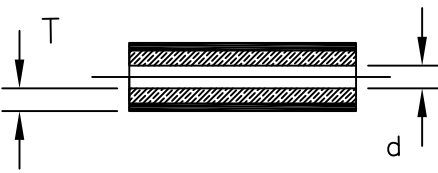
LOC	DIST	REVISIONS					
—	—	P	LTR	DESCRIPTION	DATE	DWN	APVD
		A		INITIAL REVISION	26FEB2015	HD	CD

Component 1 HTAT-12/3-0

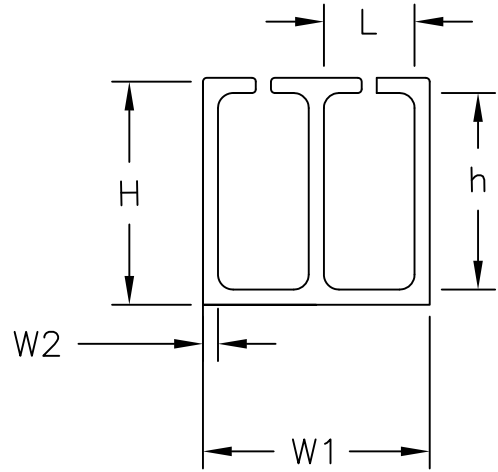
a) Part as supplied



b) Part fully recovered



Component 2 RBK-105-NR5020/A-X



PRODUCT DIMENSIONS & NOTES

DIMENSIONS (in millimetres)

Component 1: HTAT-12/3-0			Component 2: RBK-105-NR5020/A-X				
D	d	T	H	h	L	W1	W2
MIN	MAX	NOM	±20%	±20%	±20%	±20%	±30%
a	b	b					
12.0	3.0	1.4	8.55	6.50	2.75	8.50	1.0
Supplied cut length 55mm ±3.0mm			Supplied cut length 8mm ±0.8mm				
MATERIAL:			MATERIAL:				
JACKET: Flame Retarded Modified Polyolefin (Colour: Black)			Hot Melt Adhesive (Colour: Amber)				
LINER: Hot Melt Adhesive (Colour: Amber)							
The Kit will be supplied in a standard box containing 1000 pieces of each individual component.							

RELEASED FOR PUBLICATION

ALL RIGHTS RESERVED.

By - TE Connectivity
COPYRIGHT 2015

THIS DRAWING IS UNPUBLISHED.

DIMENSIONS: mm	DWN	HD	26FEB2015	MATERIAL	—	FINISH	—
	CHK	CD	26FEB2015				
TOLERANCES UNLESS OTHERWISE SPECIFIED:	APVD	CD	26FEB2015				
0 PLC ± -	PRODUCT SPEC			NAME			
1 PLC ± -	RW-2102			RBK-105-KIT-0702-A0			
2 PLC ± -	APPLICATION SPEC			—			
3 PLC ± -	SIZE	CAGE CODE	DRAWING NO	RESTRICTED TO			
4 PLC ± -	—	—	—	—			
ANGLES ± -	WEIGHT	1.35 kg		A4	—	C= 453703-000	
CUSTOMER DRAWING				SCALE	NTS	SHEET	1 of 1
							REV A