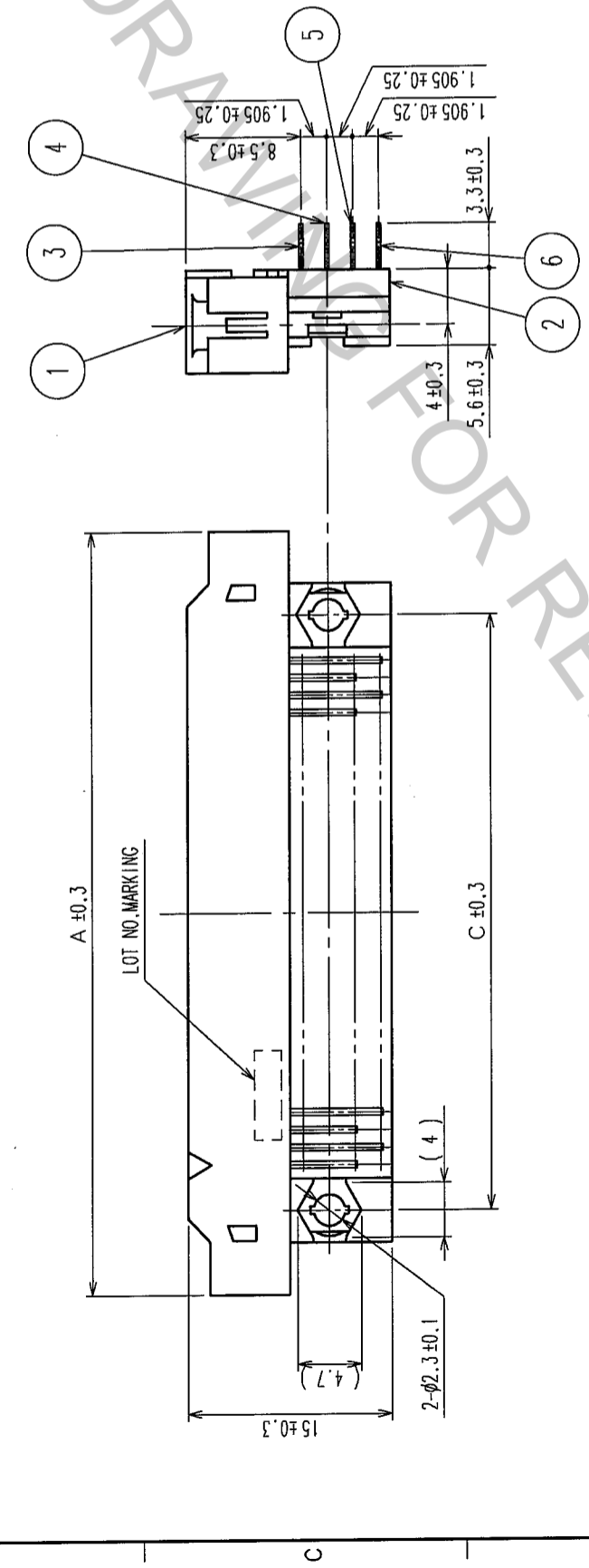
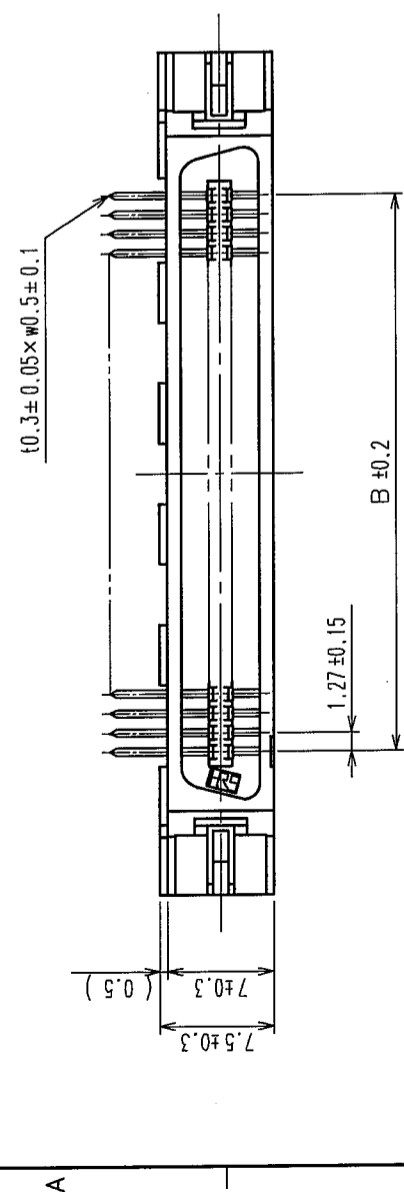
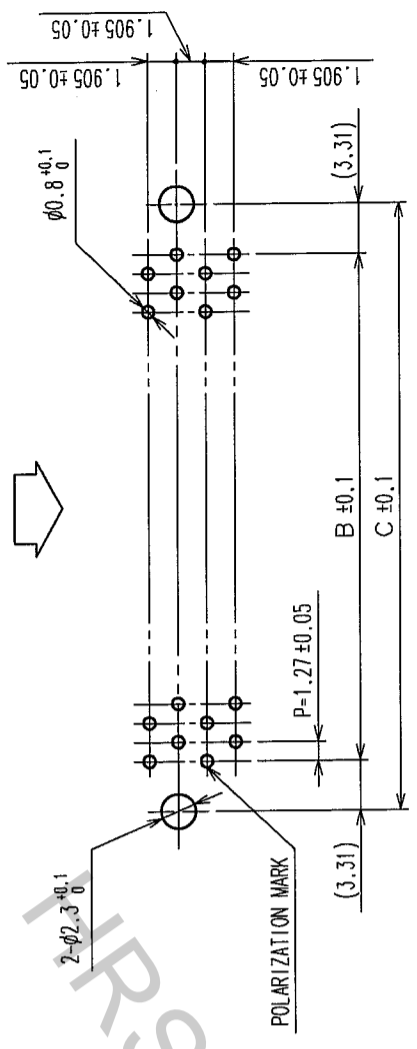


COUNT	DESCRIPTION OF REVISIONS	BY	CHKD	DATE	COUNT	DESCRIPTION OF REVISIONS	BY	CHKD	DATE
△					△				
△					△				
△					△				



RECOMMEND PC BOARD HOLE PATTERN (MOUNTING SIDE)

MATING SIDE



PART No.	CODE No.	A	B	C	D
FX2B-20P-1.27DS(71)	CL572-0701-0-71	20	30.33	11.43	18.05
FX2B-32P-1.27DS(71)	CL572-0702-2-71	32	37.95	19.05	25.67
FX2B-40P-1.27DS(71)	CL572-0703-5-71	40	43.03	24.13	30.75
FX2B-52P-1.27DS(71)	CL572-0704-8-71	52	50.65	31.75	38.37
FX2B-60P-1.27DS(71)	CL572-0705-0-71	60	55.73	36.83	43.45
FX2B-68P-1.27DS(71)	CL572-0706-3-71	68	60.81	41.91	48.53
FX2B-80P-1.27DS(71)	CL572-0707-6-71	80	68.43	49.53	56.15
FX2B-100P-1.27DS(71)	CL572-0708-9-71	100	81.13	62.23	68.85

NOTES
 1. STANDOFF DIFFERS ACCORDING TO PRODUCTS.
 2. THE DIMENSIONS IN PARENTHESES ARE FOR REFERENCE.
 3. NUMBER OF PIN.

1, 2	POLYAMIDE	BLACK	UL94V-0	3~6	PHOSPHOR BRONZE	CONTACT AREA: GOLD 0.2μm min DIP AREA: TIN-PLATING 2μm min UNDER PLATING: NICKEL 2μm min	
NO.	MATERIAL	FINISH	REMARKS	NO.	MATERIAL	FINISH	REMARKS
CODE NO. (OLD)	DRAWN		DESIGNED	CHECKED	APPROVED	RELEASED	
CL	I. OKAYAMA		K. NAKAMURA	H. OKAWA	H. OKAWA		
		04.06.02	04.06.02	04.06.14	04.06.14		

DRAWING NO.	EDC3-082283-21	PART NO.	FX2B-***P-1.27DS(71)
SCALE	FREE	CODE NO.	
UNITS	mm		



HIROSE ELECTRIC CO., LTD.

CL572