

PRODUCT DATASHEET**Rocket-4 series**

last update 18/10/2016

**Product number C10700_ROCKET-4-M**

Family	Rocket-4	FWHM	24 degrees
Type	Lens array	Efficiency	-
LED	XR-E	cd/lm	-
Color	Clear	Gerber File	Available
Diameter	50 mm		
Height	15.2 mm		MR16 applications
Style	Round		
Optic Material	PMMA		
Holder Material	-		
Fastening	["pin", "glue"]		
Status	Production ready		

Product number C10702_ROCKET-4-W

Family	Rocket-4	FWHM	34 degrees
Type	Lens array	Efficiency	-
LED	XR-E	cd/lm	-
Color	Clear	Gerber File	Available
Diameter	50 mm		
Height	15.2 mm		MR16 applications
Style	Round		
Optic Material	PMMA		
Holder Material	-		
Fastening	["glue", "pin"]		
Status	Production ready		

NOTE: The typical divergence will be changed by different color, chip size and chip position tolerance. The typical total divergence is the full angle measured where the luminous intensity is half of the peak value.



PRODUCT DATASHEET

Rocket-4 series

last update 18/10/2016

GENERAL INFORMATION

- Product series especially designed & optimized for XR-E series of LEDs.
- Special care taken to make light distribution as uniform as possible.
- Lens material optical grade PMMA with high UV and temperature resistance. Allows use of high current and temperature conditions.

Please find more information about used material from below:

http://ledil.fi/sites/default/files/Documents/Technical/Material/PMMA%20N%20UL94_Yellow%20Card.pdf

<http://ledil.fi/sites/default/files/Documents/Technical/Material/PMMA%20N%20PLEXIGLAS-Datasheet.pdf>

D

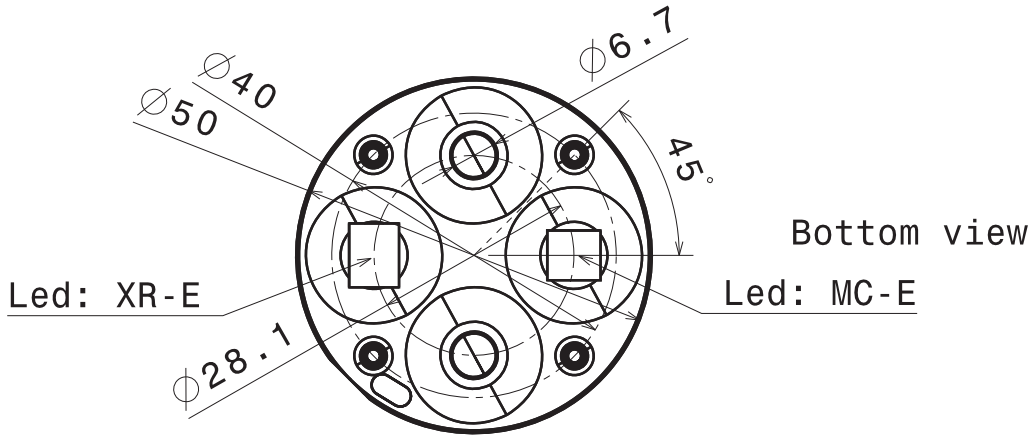
C

B

A

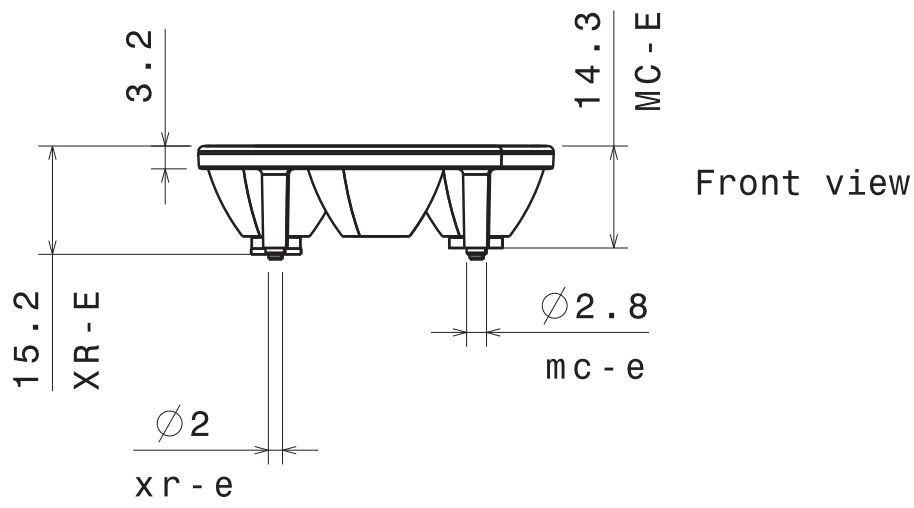
4

4



3

3



2

2

Material: PMMA

This drawing is our property.
It can't be reproduced
or communicated without
our written agreement.



Ledil Oy
Tehdaskatu 13
FIN-24100 SALO
Finland

DRAWING TITLE

Datasheet Rocket-4-XRMC-W lens

DRAWN BY
pv

DATE
02.01.2009

CHECKED BY
tk

DATE
12.12.2008

SIZE
A4

DRAWING NUMBER
10702

REV
0.1

DESIGNED BY
HH

DATE
12.12.2008

SCALE 1:1 WEIGHT(g)

SHEET 1/1

1

1

D

A