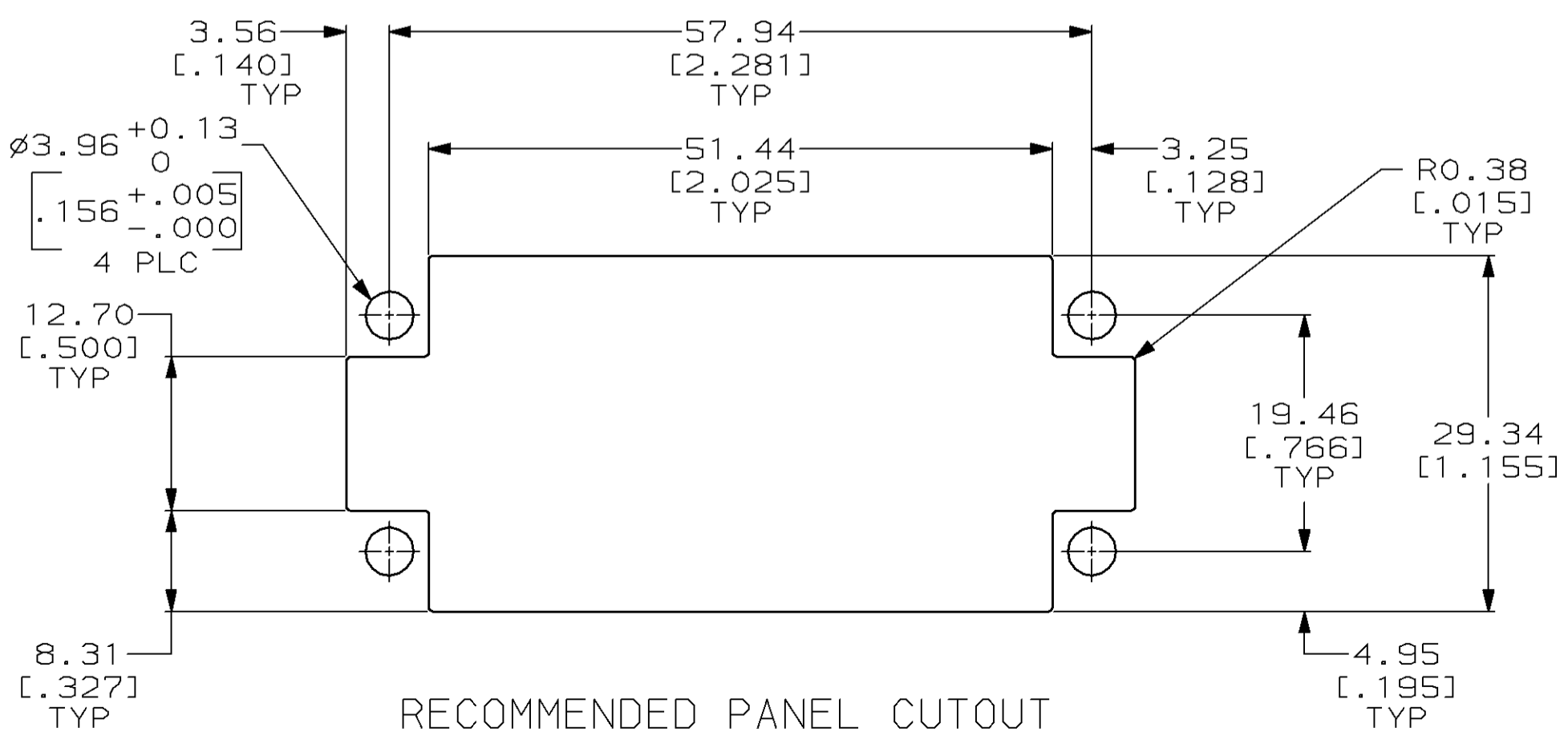
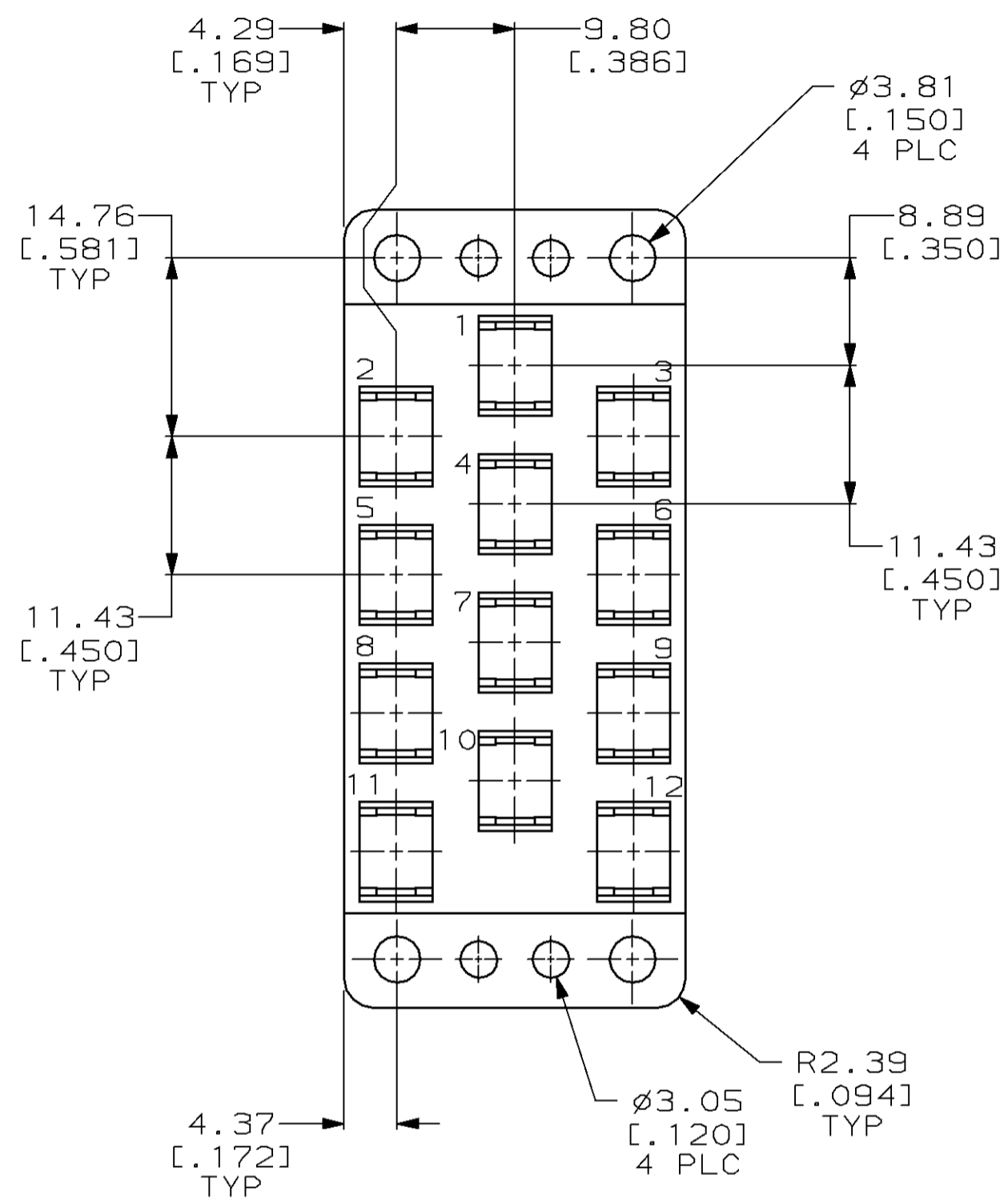
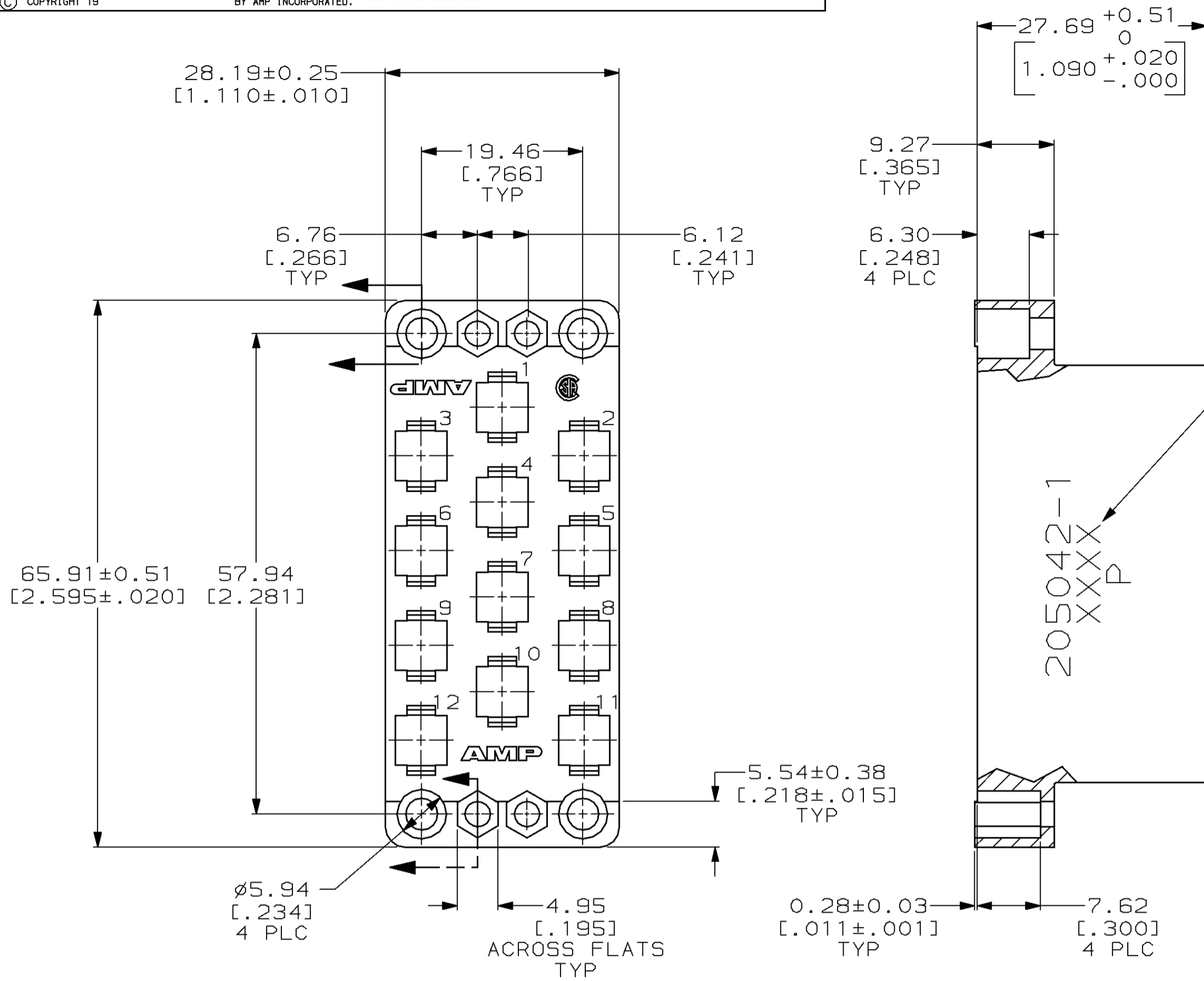


THIS DRAWING IS UNPUBLISHED. RELEASED FOR PUBLICATION
 © COPYRIGHT 19 BY AMP INCORPORATED. ALL RIGHTS RESERVED.

Loc		DIST		REVISIONS			
P	LTR	DESCRIPTION		DATE	DWN	APVD	
FT	8	A		REDRAWN W/O CHANGE PER EC 0020-1299-95	11 MAR 96	-	-



- 1. PHENOLIC PER MIL-M-14, TYPE CFG, BLACK.
- 2. MATES WITH BLOCK 205043.

205042-1
 PART NUMBER

THIS DRAWING IS A CONTROLLED DOCUMENT.		DWN C. REIFSNYDER 11 MAR 96	AMP Incorporated Harrisburg, PA 17105-3608
DIMENSIONS: mm (INCHES)		CHK R. STONE 15 MAR 96	
TOLERANCES UNLESS OTHERWISE SPECIFIED:		APVD G.A. STEINHAUER 25 JUN 96	NAME BLOCK, MALE, 12 PLACE FOR TYPE XII CONTACTS, M SERIES
0 PLC ±- 1 PLC ±- 2 PLC ±0.13 [.005] 3 PLC ±- 4 PLC ±- ANGLES ±- FINISH -		PRODUCT SPEC -	SIZE A2
MATERIAL △		APPLICATION SPEC -	CAGE CODE 00779
		WEIGHT -	DRAWING NO C-205042
		CUSTOMER DRAWING	SCALE 2:1
			SHEET 1 OF 1
			REV A