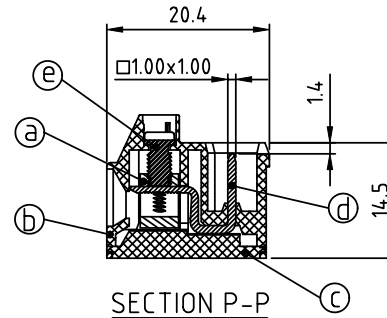
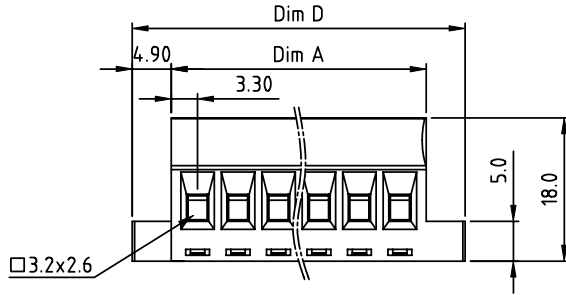
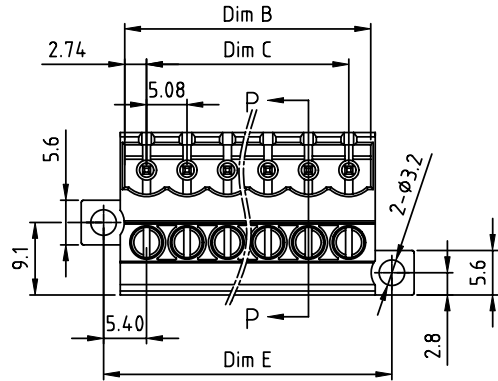


PRODUCT NUMBER	PITCH
V5xx51x000J0G	5.08 mm



- Material:
- Item ③ Clamp: Brass Ni plated
  - Item ④ Terminal(housing):Thermoplastic (UL94V-0)
  - Item ⑤ Terminal(cover): Thermoplastic (UL94V-0)
  - Item ⑥ Pin: Brass,Tin plated.
  - Item ⑦ Terminal screw: Steel Zinc plating solt "-"type M3

- Electrical: cULus
- Voltage rating: 300V
  - Current rating: 12A
  - Wire range:
  - Solid wire(AWG): 12-30
  - Stranded wire(AWG): 12-30
  - Torque(Lb-In): 4.4
  - Screw: M3
  - Wire strip length: 6 - 7 mm
  - Withstanding Voltage: 1.6KV
  - Operating temperature: -40°C to +115°C
  - Safety Approval:

DIMENSION

Dim A	Nx5.08+1.52
Dim B	(N-1)x5.08+5.48
Dim C	(N-1)x5.08
Dim D	Nx5.08+11.32
Dim E	(N-1)x5.08+10.8

N=Number of poles

Poles	Tolerance
2P-6P	±0.20
7P-12P	±0.25
13P-18P	±0.30
19P-24P	±0.40

PART NO.: V5 xx 51 x 0 00J0 G

- |              |          |                     |                 |
|--------------|----------|---------------------|-----------------|
|              |          | Color               | RoHS compliant  |
| Solid block  | 0        | Black (RAL9005)     | (lead<4%)       |
| No. of poles | 2        | Red (RAL3001/D)     | In copper Alloy |
| 02           | 2 poles  | 3 Orange(RAL2011/P) |                 |
| 03           | 3 poles  | 4 Yellow(RAL1018/A) |                 |
| ...          | ...      | 5 Green(RAL6018/T)  |                 |
| 24           | 24 poles | 6 Blue (RAL5015/A)  |                 |
|              |          | 8 Grey(RAL7035/D)   |                 |
|              |          | 9 White(RAL1102)    |                 |
|              |          | C Green(RAL6018/U)  |                 |

mat'l. code		surface ASME Y14.5	tolerance ASME Y14.5	projection	product family	
ltr ecn no dr date		tolerances unless otherwise specified			TERMINAL BLOCK	
angles		X.±0.5	X.X±0.3	MM	title	
X*±1"		X.XX±0.1		scale	TERMINAL BLOCK	
dr		EVIN ZHONG	050414		PLUGGABLE PLUG,BOTTOM COVER FIXED TYPE	
enr		EVIN ZHONG	050414		dwg no	sheet 1 of 1
chr		HANKE FENG	050414		V5xx51x000J0G	A4
appd		SHI JUN	050414		type	CUSTOMER Drawing
sheet index	revision sheet	A	1			