

### Series EM2218

Header with Flanges; (Mates with EM2118, EM3118 Series); 5.08 Centers

**SPECIFICATIONS:**

**Rating:** 12A, 300V

**Center Spacing:** 0.20" (5.08mm)

**Housing Material:** UL rated 94V0 Thermoplastic

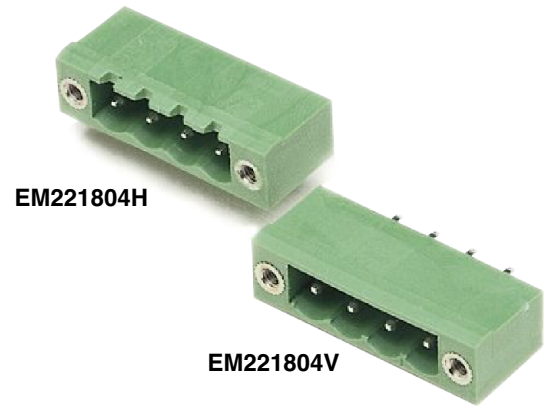
**Contact Material:** Tin-Plated Brass

**Operating Temperature:** 105°C (221°F) max., -55°C (-67°F) min.

**Recommended PCB Hole Diameters:** 0.059" (1.50mm)

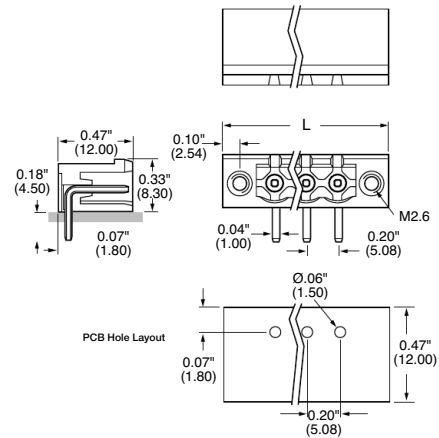
**Construction:** Mold-to-Length

**Agency Information:** File E62622; CE Certified

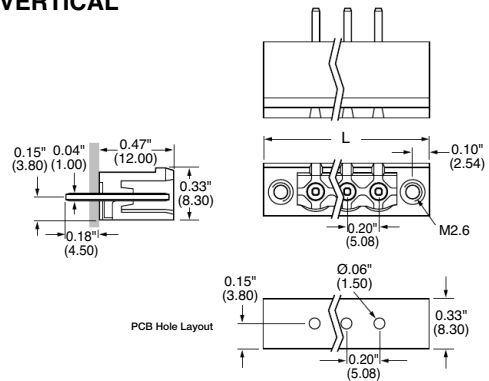


**Dimensions - in (mm)**

**HORIZONTAL**



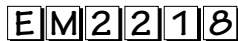
**VERTICAL**



Poles	L (mm)	L (Inch)	Poles	L (mm)	L (Inch)
2	20.32	0.8	12	71.12	2.8
3	25.40	1.0	13	76.20	3.0
4	30.48	1.2	14	81.28	3.2
5	35.56	1.4	15	86.36	3.4
6	40.64	1.6	16	91.44	3.6
7	45.72	1.8	17	96.52	3.8
8	50.80	2.0	18	101.60	4.0
9	55.88	2.2	19	106.68	4.2
10	60.95	2.4	20	111.76	4.4
11	66.04	2.6			

**Part Numbering System**

Series



# of Poles



02 to 22

Orientation



H - Horizontal  
V - Vertical

Inches (Millimeters)

**Mating Plugs:** EM2118 pg. 96  
EM3118 pg. 97

Terminal Blocks:  
Single Row

EuroMag Series  
Plug & Header

Edge Connectors,  
One-Sided Boards

Compliance  
References