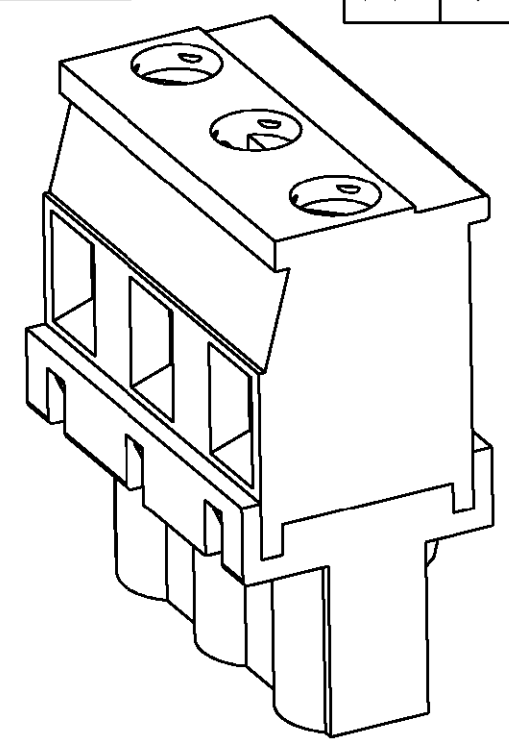
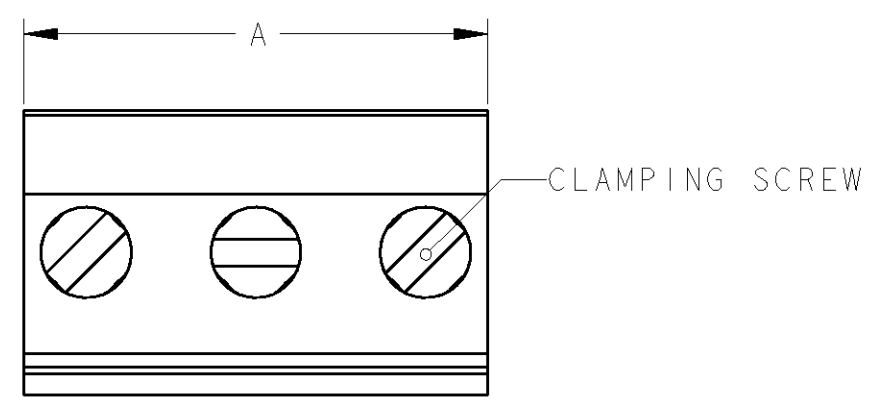


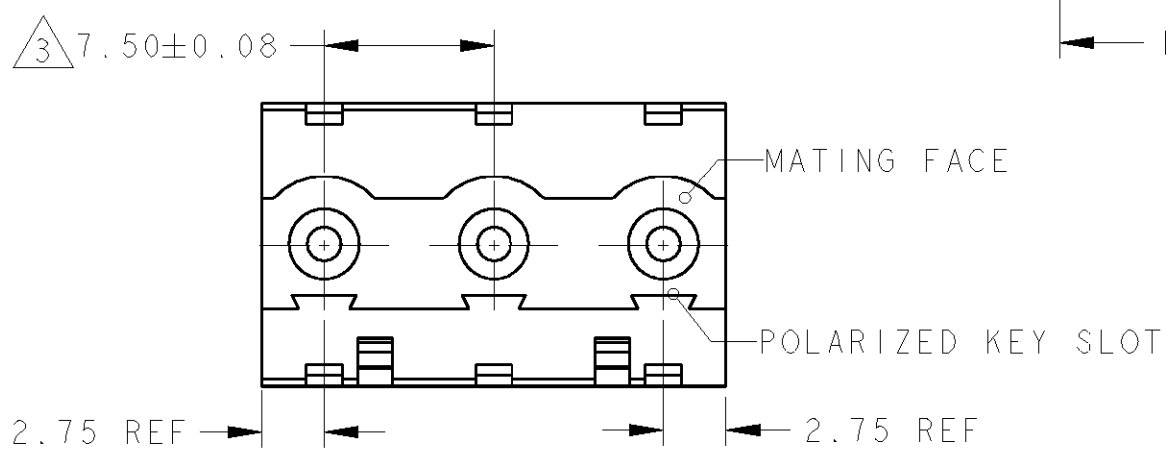
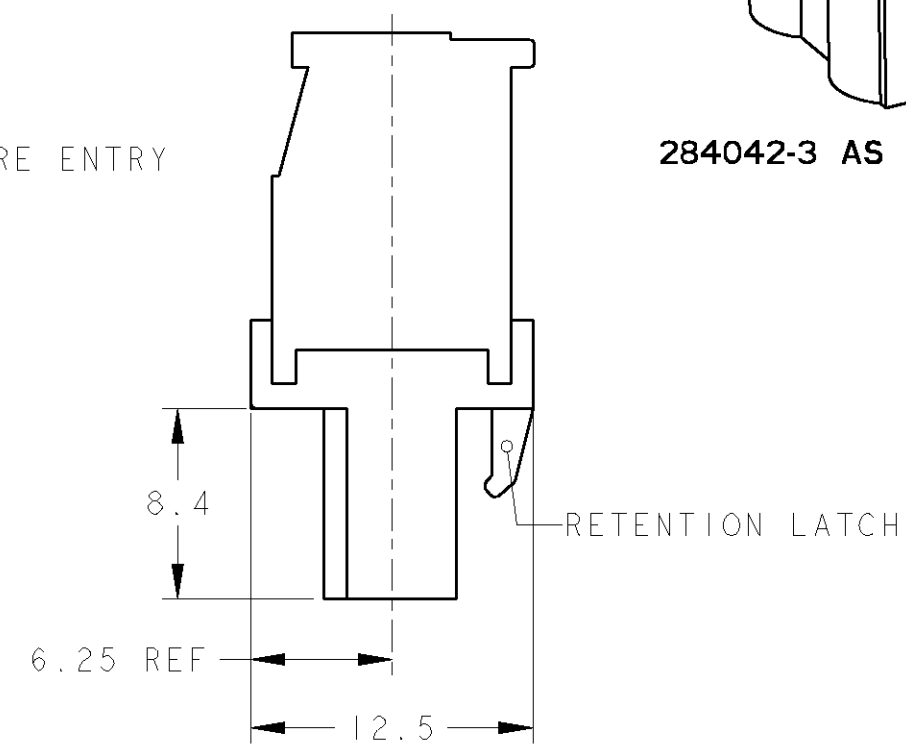
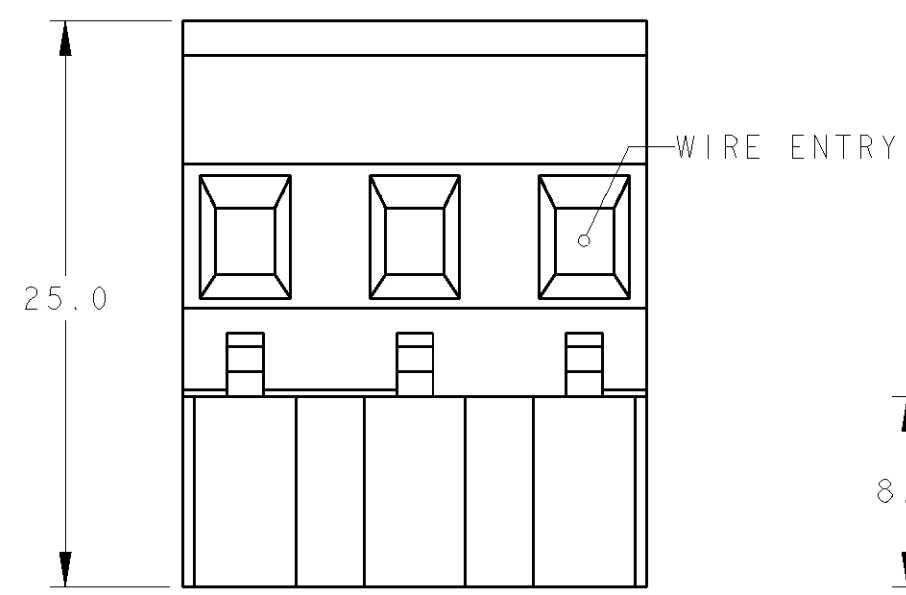
THIS DRAWING IS UNPUBLISHED. RELEASED FOR PUBLICATION 20  
 © COPYRIGHT 20 BY TYCO ELECTRONICS CORPORATION. ALL RIGHTS RESERVED.

LOC	DIST	REVISIONS			
P	LTR	DESCRIPTION	DATE	DWN	APVD
FT	0	B	REVISD PER 0G3B-0119-01	03JAN2002	EZ DB



284042-3 AS SHOWN

- 1 MATERIALS AND FINISH  
 HOUSING: PA 6-6, UL 94-V0, COLOR GREEN.  
 CLAMP: BRASS, NICKEL PLATED.  
 DOUBLE SIDE CONTACT SPRING : PHOSPHOR BRONZE, TIN PLATED.  
 CLAMPING SCREW: M3, BRASS, NICKEL PLATED.
- 2 WIRE SIZE RANGE:  
 12 - 30 AWG
- 3 NOT CUMULATIVE TOLERANCE.



88.0	12	1-284042-2
80.5	11	1-284042-1
73.0	10	1-284042-0
65.5	9	284042-9
58.0	8	284042-8
50.5	7	284042-7
43.0	6	284042-6
35.5	5	284042-5
28.0	4	284042-4
20.5	3	284042-3
13.0	2	284042-2
DIM. A	N° OF POS.	PART NUMBER

<small>THIS DRAWING IS A CONTROLLED DOCUMENT FOR TYCO ELECTRONICS CORPORATION          IT IS SUBJECT TO CHANGE AND THE CONTROLLING ENGINEERING ORGANIZATION          SHOULD BE CONTACTED FOR THE LATEST REVISION.</small>		DWN 03JAN2002 E. ZANOLINI CHK 03JAN2002 E. ZANOLINI APVD 03JAN2002 D. BIEVENOUR		<b>BUCHANAN</b> Tyco Electronics Harrisburg, PA 17105-3608	
DIMENSIONS: mm		TOLERANCES UNLESS OTHERWISE SPECIFIED: 0 PLC ±- 1 PLC ±.3 2 PLC ±.25 3 PLC ±- 4 PLC ±- ANGLES ±2		NAME TERMINAL BLOCK VERTICAL PLUG STACKING, LEFT HAND 7.5mm PITCH	
MATERIAL  -		FINISH  -		PRODUCT SPEC - APPLICATION SPEC - WEIGHT -	
CUSTOMER DRAWING				SIZE A3 CAGE CODE 00779 DRAWING NO C-284042 RESTRICTED TO -	
				SCALE 3:1 SHEET 1 OF 1 REV B	