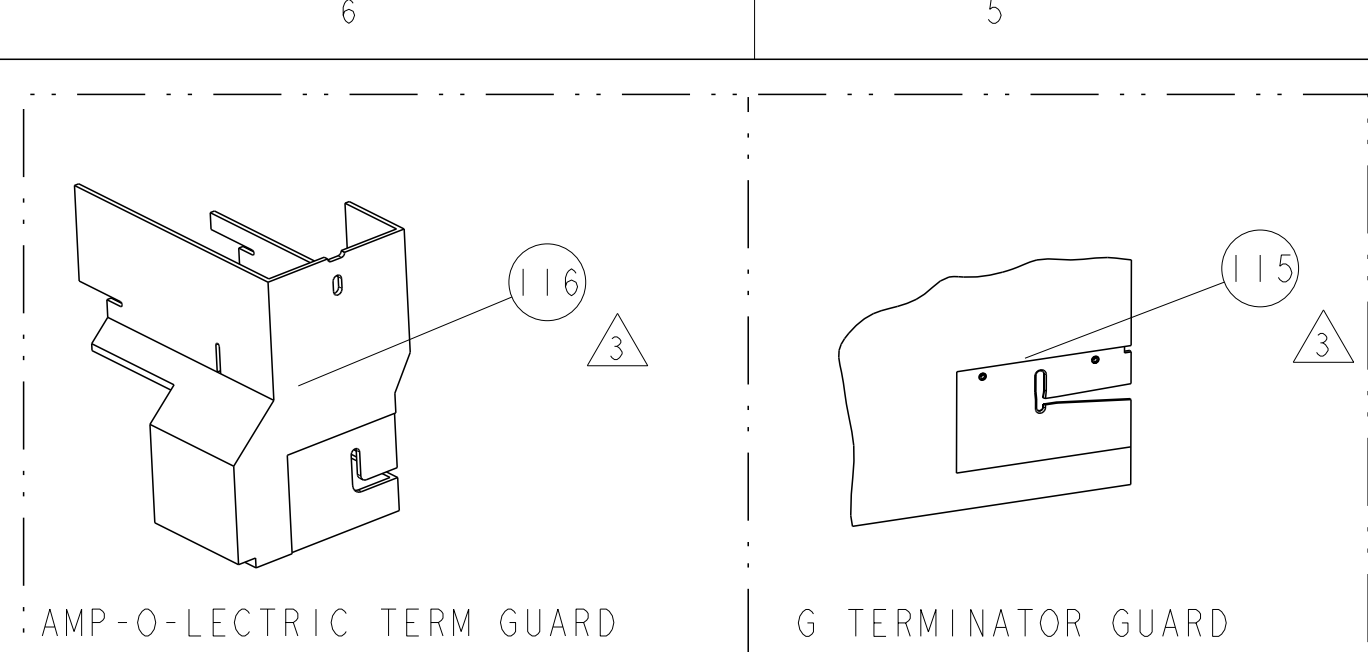


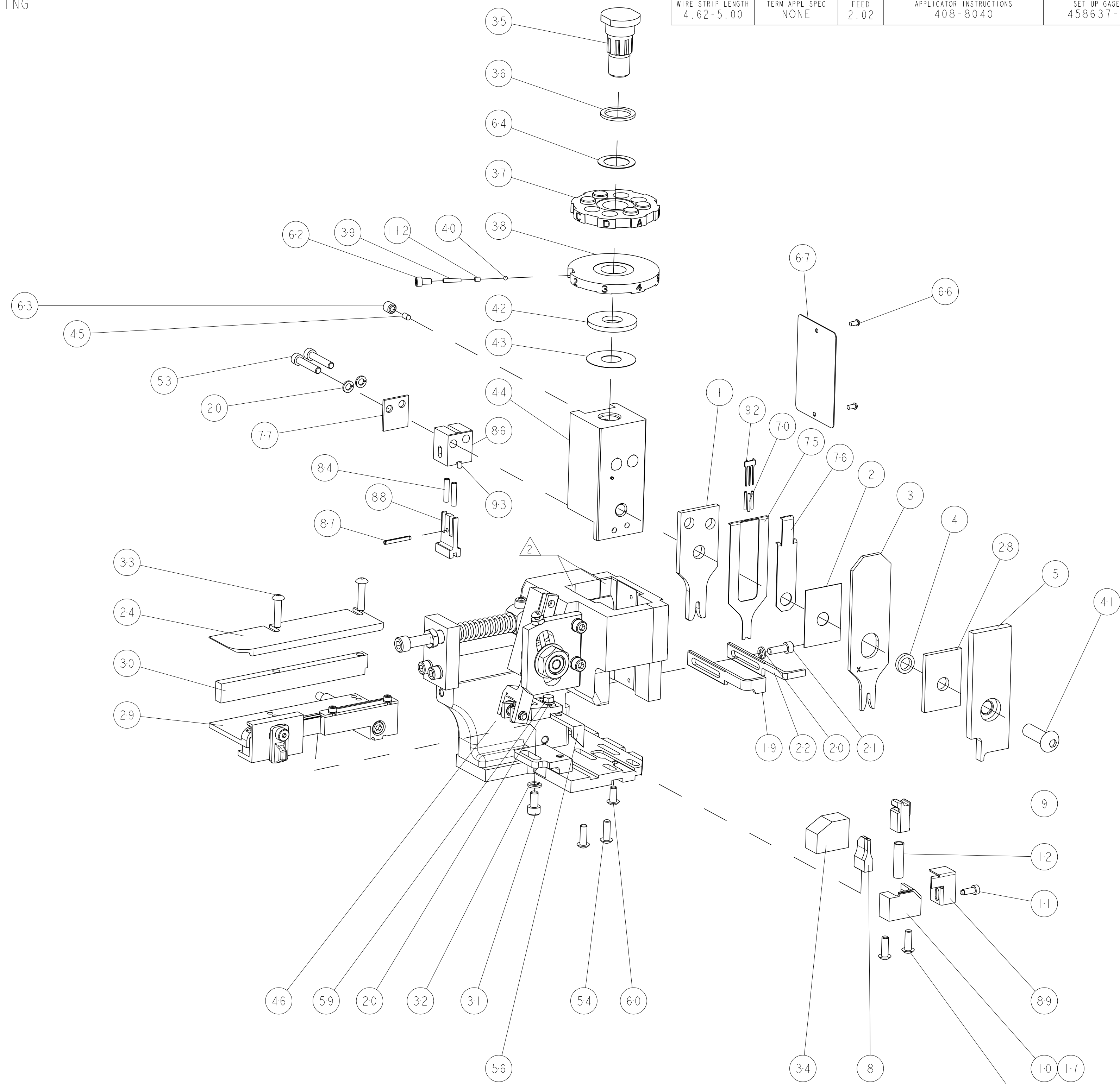
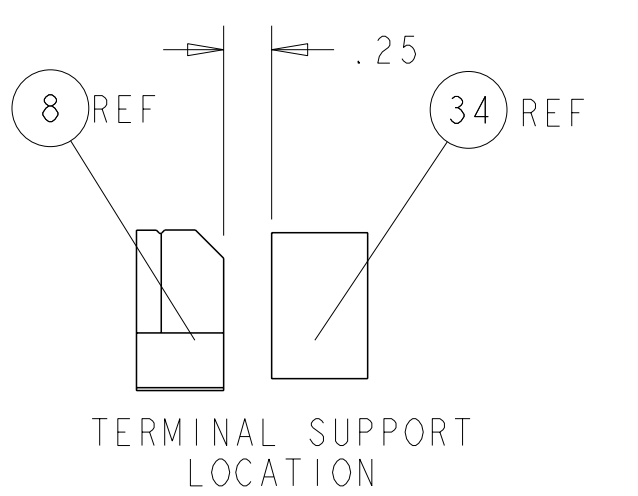
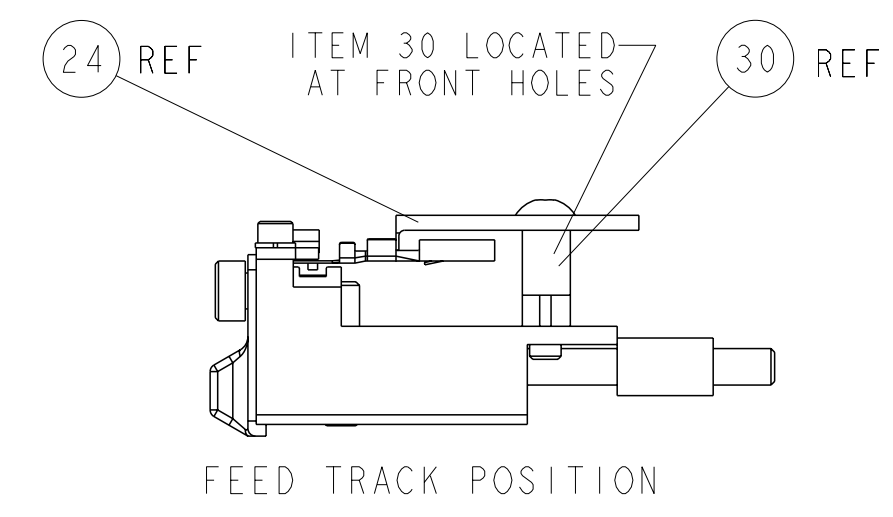
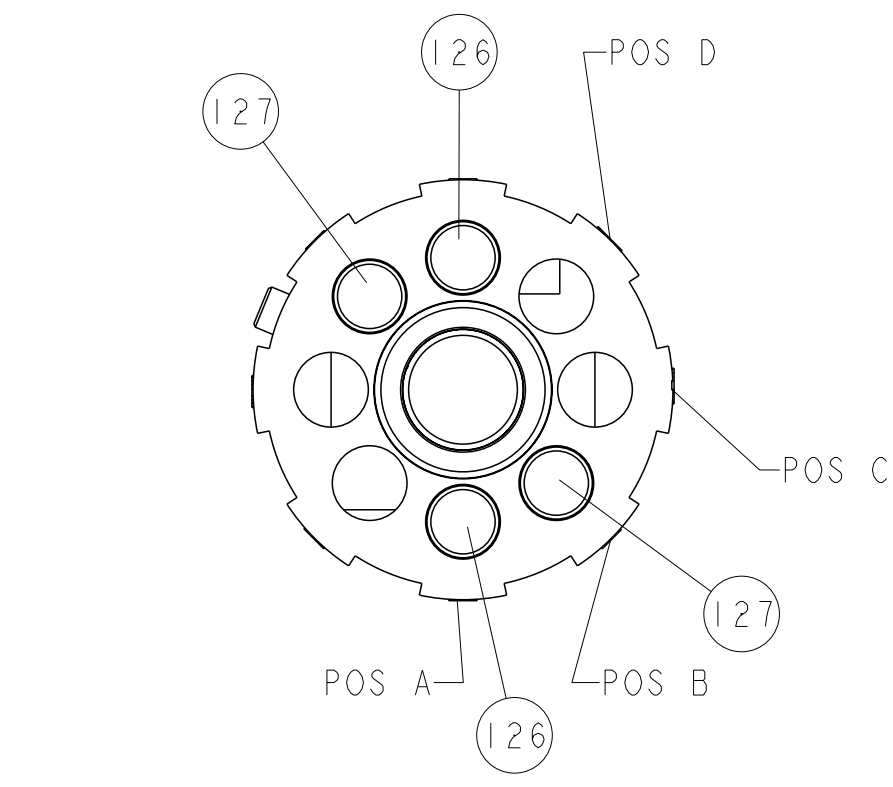
PART NUMBER	REV	FIRST USED	POWER UNIT	FEED TYPE	DESCRIPTION
1852385-1	C	122500-1	LEADMAKER	POST FEED	CUTS CARRIER
1852385-2	C	565435-5	BENCH MODEL K	PRE FEED	CUTS CARRIER
1852385-3	C	354500-1	BENCH MODEL G	PRE FEED	CUTS CARRIER
1852385-6	C	122500-1	LEADMAKER	POST FEED	CONTINUOUS CARRIER
7-1852385-7	A	-	-	-	SPARE PARTS



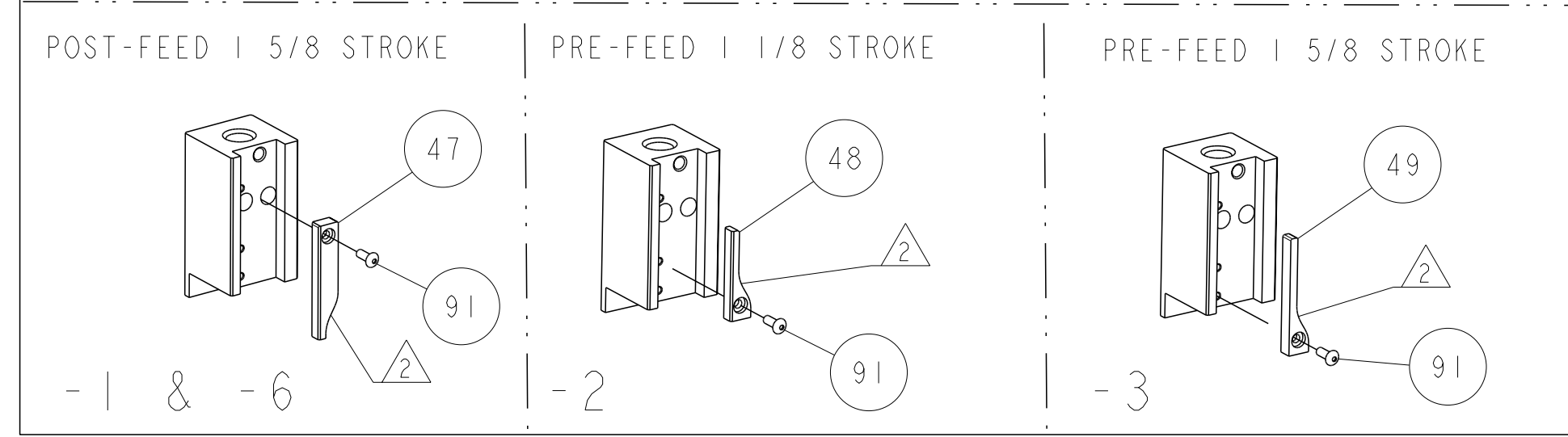
TERMINAL NAME: MX 150 RECEPTACLE TERMINAL			
TEC PN	MANF PN	MOLEX TERMINAL - MOLEX CRIMP SPECS	
1949221	33012-3002	PAD LTR	CRIMP HEIGHT
-	-	A	1.30±0.05mm[.051±.002]
-	-	B	1.25±0.05mm[.049±.002]
-	-	C	-
-	-	D	-
-	-	CRIMP	SIZE
-	-	WIRE	2.08mm[.082]
-	-	INSUL	2.29mm[.090]
-	-	FEED	2.02
-	-	APPLICATOR INSTRUCTIONS	408-8040
-	-	SET UP GAGE	458637-1
WIRE STRIP LENGTH	TERM APPL SPEC	FEED	APPLICATOR INSTRUCTIONS
4.62-5.00	NONE	2.02	408-8040
			SET UP GAGE
			458637-1

LOC	DIST	REV	DESCRIPTION	DATE	BY	APPD
A	66	1	MOLEX WAS AMP TERMINAL AND SPEC (ZONE D3)	JUNE2007	CMR	TB
		2	ECR-07-022847	SEPT2007	CMR	GB
		3	ECR-12-001955	31JAN2012	MY	GB

- △ RECOMMENDED SPARE PARTS
- △ GREASE LIGHTLY
- △ GUARD MUST BE IN PLACE WHEN OPERATING APPLICATOR IN A BENCH MACHINE



-	2	2	2	2	-	3-354779-2	PIN, WIRE DISC, .3150	127
-	2	2	2	2	-	2-354779-9	PIN, WIRE DISC, .3135	126
-	-	-	REF	-	-	455749-1	GUARD WINDOW	116
-	-	REF	-	-	-	679532-1	INSERT, GUARD	115
△	1	1	1	1	-	690603-1	SPRING ASSIST AMP-O-MATOR APPLICATOR	112
△	1	1	1	1	-	2-21008-1	SCR, SET, SELF LOCKING 1/4-20 X .250	93
-	1	1	1	1	-	1424350-1	HOLDER, PIN, WIRED	92
-	1	1	1	1	-	1-21002-7	SCR, BTN SKT HD CAP 6-32 X .375	91
-	1	1	1	1	-	318563-1	GUARD, FRONT CHIP	89
-	1	1	1	1	-	8-1338389-5	HOLD DOWN, TERMINAL	88
-	1	1	1	1	-	4-21028-0	PIN, SLOTTED SPRING .094 X .750	87
-	1	1	1	1	-	455052-1	CARRIER, HOLD DOWN	86
-	2	2	2	2	-	22278-9	SPRING, COMPRESSION	84
-	1	1	1	1	-	455053-1	PLATE, RETAINING	77
-	1	1	1	1	-	1490524-1	DEPRESSOR, SPACER	76
-	1	1	1	1	-	1490525-3	DEPRESSOR, WIRE	75
-	1	1	1	1	-	4088040	SF APPL INST 408-8040	72
-	1	1	1	1	-	217238-1	GENERAL INSTRUCTION PKG	71
-	3	3	3	3	-	2-23147-2	SPRING, COMPRESSION	70
-	1	1	1	1	-	461264-1	PLATE, IDENTIFICATION	67
-	2	2	2	2	-	21017-2	SCREW, DRIVE	66
-	1	1	1	1	-	986950-1	WASHER, FLAT PRECISION	64
-	1	1	1	1	-	21009-2	SCR, SET, SELF LOCKING 1/4-20 X .250	63
-	1	1	1	1	-	23030-1	SCR, SKT HD CAP 6-32 x .25	62
-	1	1	1	1	-	22733-8	SCR, BHSC, SELF-LOCKING, 8-32 X .375	60
-	1	1	1	1	-	2-22603-0	SCR, HEX HD CAP 8-32 X .312	59
-	1	1	1	1	-	458537-2	PAWL, FEED	56
-	4	4	4	4	-	2-21002-2	SCR, BTN SKT HD CAP 8-32 X .500	54
-	2	2	2	2	-	3-21000-0	SCR, SKT HD CAP 8-32 X .875	53
-	-	1	-	-	-	690602-6	CAM, PRE FEED, 1 5/8	49
-	-	-	1	-	-	690602-5	CAM, PRE FEED, 1 1/8	48
-	1	-	-	1	-	690501-4	CAM, POST-FEED 1 5/8	47
-	1	1	1	1	-	459456-1	APPL. BASIC SUB ASSY (SIDE WISE MQCA)	46
-	1	1	1	1	-	690191-1	PLUG, NYLON	45
-	1	1	1	1	-	455673-1	RAM, SIDE FEED	44
-	1	1	1	1	-	690125-1	SHIM SUB-ASSY	43
-	1	1	1	1	-	690124-1	WASHER, RAM (.115)	42
-	1	1	1	1	-	7-21002-9	SCR, BTN SKT HD CAP 5/16-24 X 1.00	41
-	1	1	1	1	-	23241-6	BALL, STEEL	40
-	1	1	1	1	-	690170-1	SPRING, COMPRESSION	39
-	1	1	1	1	-	690142-1	DISC, INSULATION	38
-	1	1	1	1	-	354777-1	WIRE DISC, ASSEMBLY	37
-	1	1	1	1	-	22480-5	SPRING, COMPRESSION	36
-	1	1	1	1	-	690212-1	POST, RAM	35
-	1	1	1	1	-	690786-3	TERMINAL SUPPORT	34
-	2	2	2	2	-	2-21002-4	SCR, BTN SKT HD CAP 8-32 X .750	33
-	1	1	1	1	-	21024-5	WASHER, SPRG LOCK, REG NO 10	32
-	1	1	1	1	-	3-21000-4	SCR, SKT HD CAP 10-32 X .375	31
-	1	1	1	1	-	1320908-1	SPACER, STRIP GUIDE	30
-	1	1	1	1	-	1633091-3	ASSEMBLY, STRIP GUIDE	29
-	1	1	1	1	-	2-455888-7	SPACER, CRIMPER	28
-	1	1	1	1	-	1320928-1	PLATE, STRIP GUIDE	24
-	1	-	-	1	-	690472-2	STRIPPER	22
-	1	1	1	1	-	2-21000-7	SCR, SKT HD CAP 8-32 X .500	21
-	4	4	4	4	-	21024-4	WASHER, SPRG LOCK, REG NO 8	20
△	-	1	1	1	-	691353-1	STRIPPER	19
△	-	-	-	-	-	679625-1	SHEAR HOLDER, FRONT (NO CUT)	17
△	-	1	1	1	-	3-22280-3	SPRING, COMPRESSION	12
△	-	1	1	1	-	690461-1	STOP, SHEAR	11
△	-	-	1	1	-	690459-1	SHEAR HOLDER, FRONT	10
△	-	1	1	1	-	454276-1	FLOATING SHEAR, FRONT	9
△	1	1	1	1	-	8-1633116-6	ANVIL, COMBINATION	8
△	-	1	1	1	-	1-455889-4	DEPRESSOR, SHEAR	5
△	-	1	1	1	-	238011-4	BLOCK, CRIMPER SPACER	4
△	1	1	1	1	-	1-683454-4	CRIMPER, INSULATION 0	3
△	-	1	1	1	-	455888-3	SPACER, CRIMPER	2
△	1	1	1	1	-	6-1490019-2	CRIMPER, WIRE PREMIUM	1



LOC	DIST	REV	DESCRIPTION	DATE	BY	APPD
A	66	1	MOLEX WAS AMP TERMINAL AND SPEC (ZONE D3)	JUNE2007	CMR	TB
		2	ECR-07-022847	SEPT2007	CMR	GB
		3	ECR-12-001955	31JAN2012	MY	GB

ITEM NO	PART NO	DESCRIPTION						
-77	-6	-3	-2	-1	U/M	PART NO	DESCRIPTION	ITEM NO

THIS DRAWING IS A CONTROLLED DOCUMENT.		DWG: C. REICHELDECKER CHK: T. ELBLIN APVD: T. BENCHOFF	SDEC2006 SDEC2006 SDEC2006
DIMENSIONS: INCHES		TOLERANCES UNLESS OTHERWISE SPECIFIED:	
		9 PLC ±.01 3 PLC ±.01 5 PLC ±.001 4 PLC ±.0001 ANGLES ±.001	
MATERIAL:		WEIGHT:	FINISH:
CUSTOMER ACCESSIBLE PRODUCTION DRAWING		SCALE: 3:5	SHEET 1 OF 1