

1 2 3 4 5 6

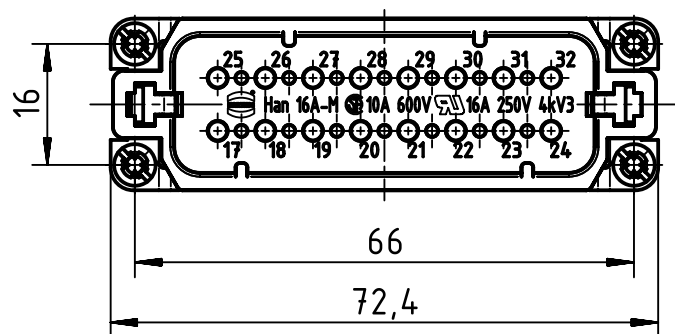
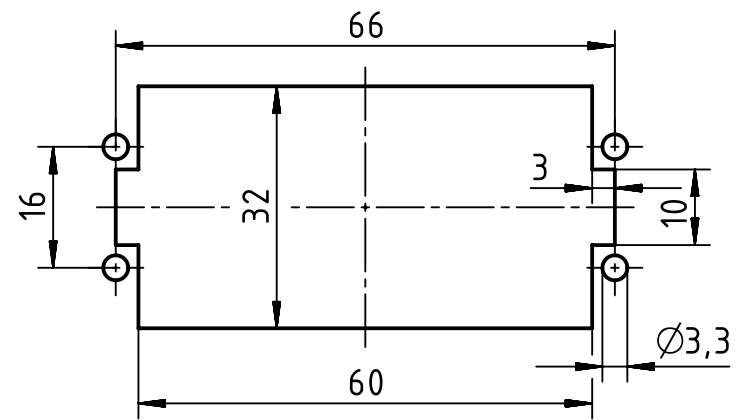
A

B

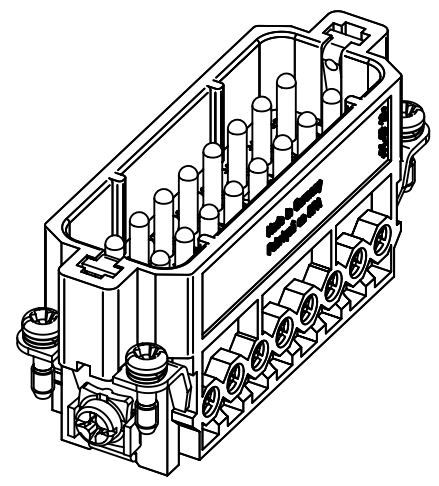
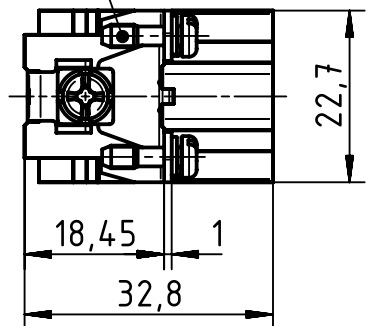
C

D

panel cut out



M3x10



	All rights reserved Department EL PD - DE	All Dimensions in mm Original Size DIN A4		Scale 1:1	Free size tol.	Ref.
		HARTING Electric GmbH & Co. KG D-32339 Espelkamp	Created by SPRENB	Inspected by BERGHORN	Standardisation TIEMANNA	Date 2015-09-18
Title Han A 16 Pos. M Insert Screw 17-32						Doc-Key / ECM-Nr. 100567370/UGD/007/C 500000091602
Type TB				Number 09 20 016 2613		Rev. C
						Page 1/1