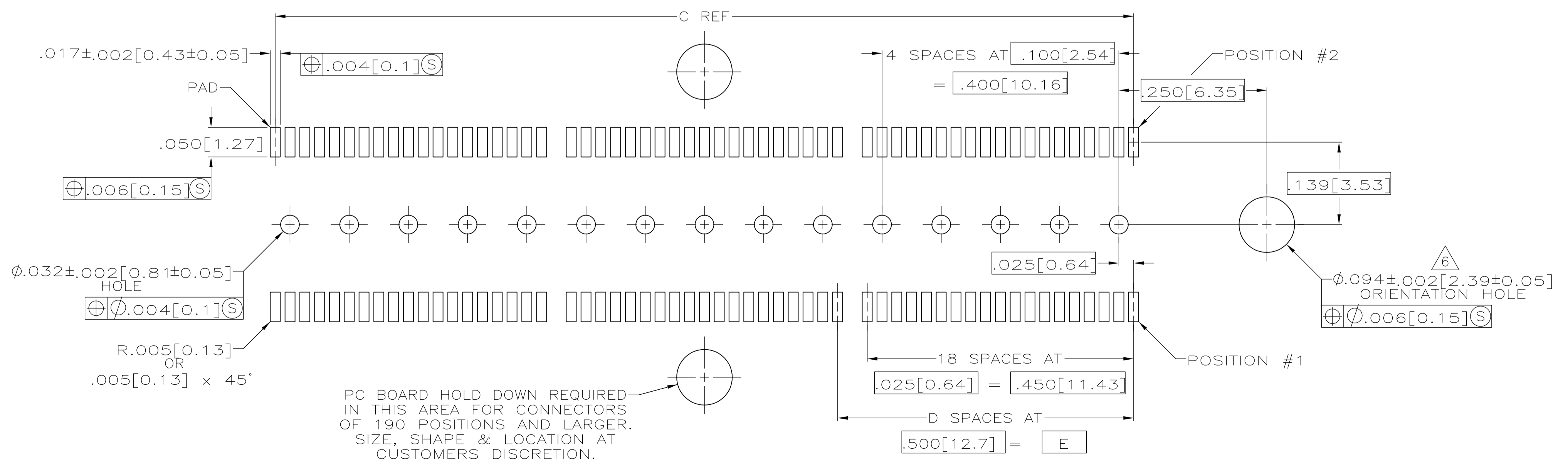
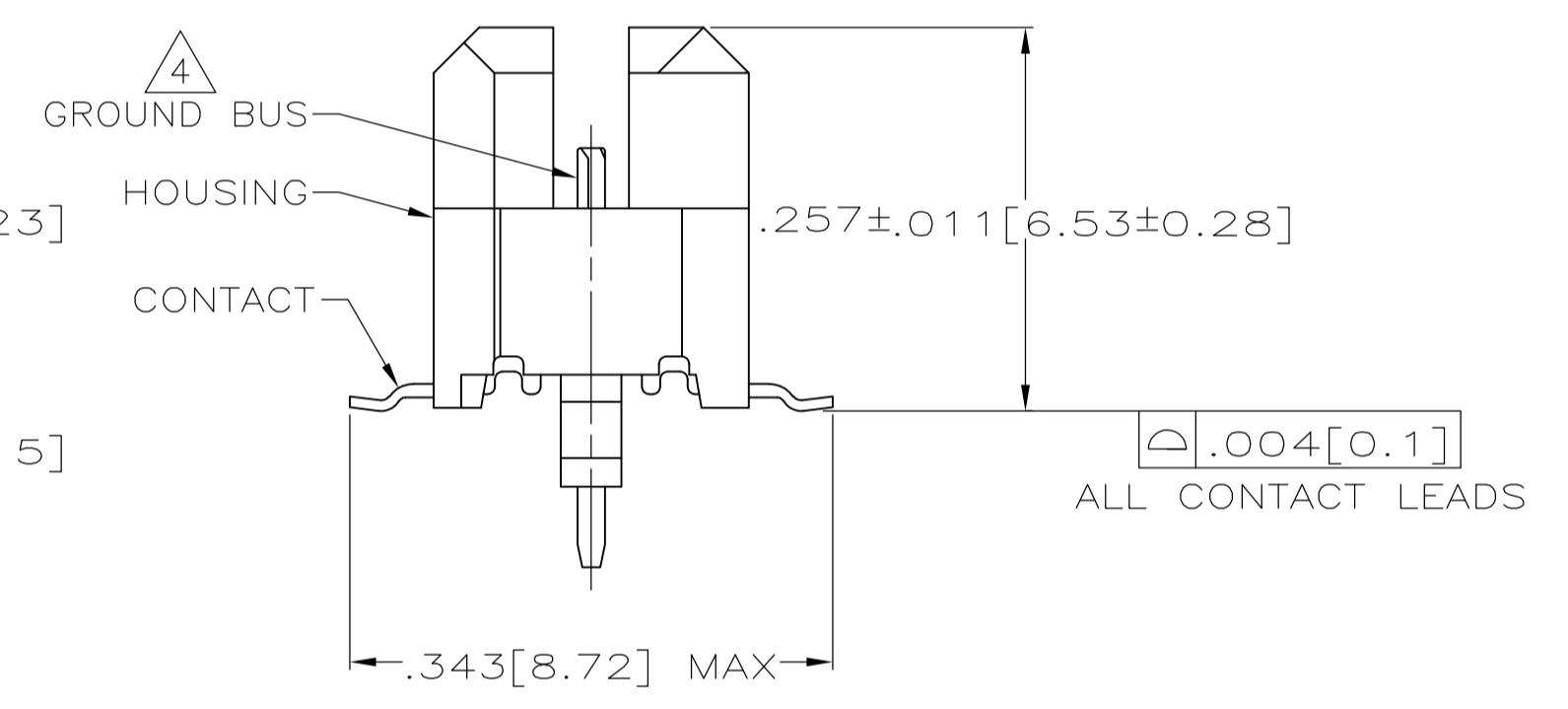
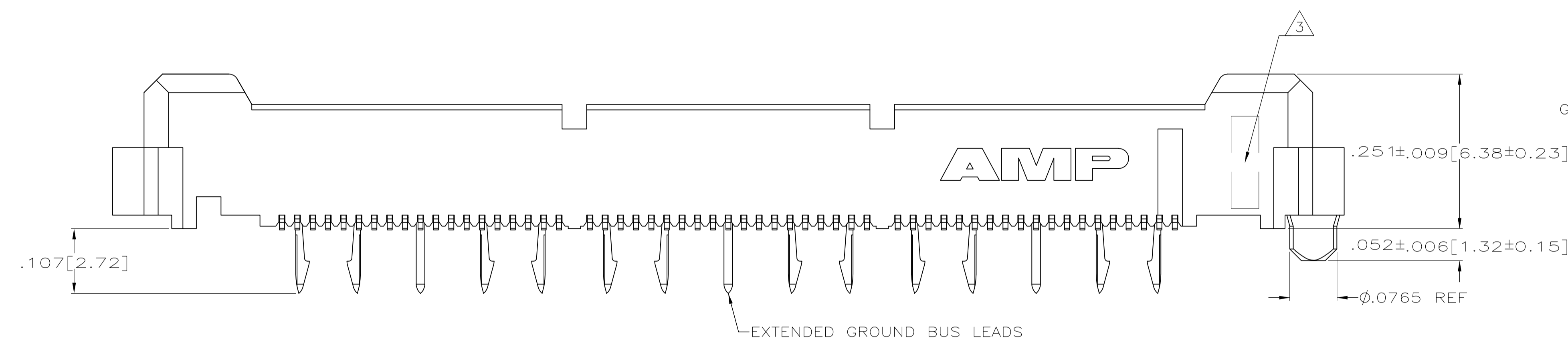
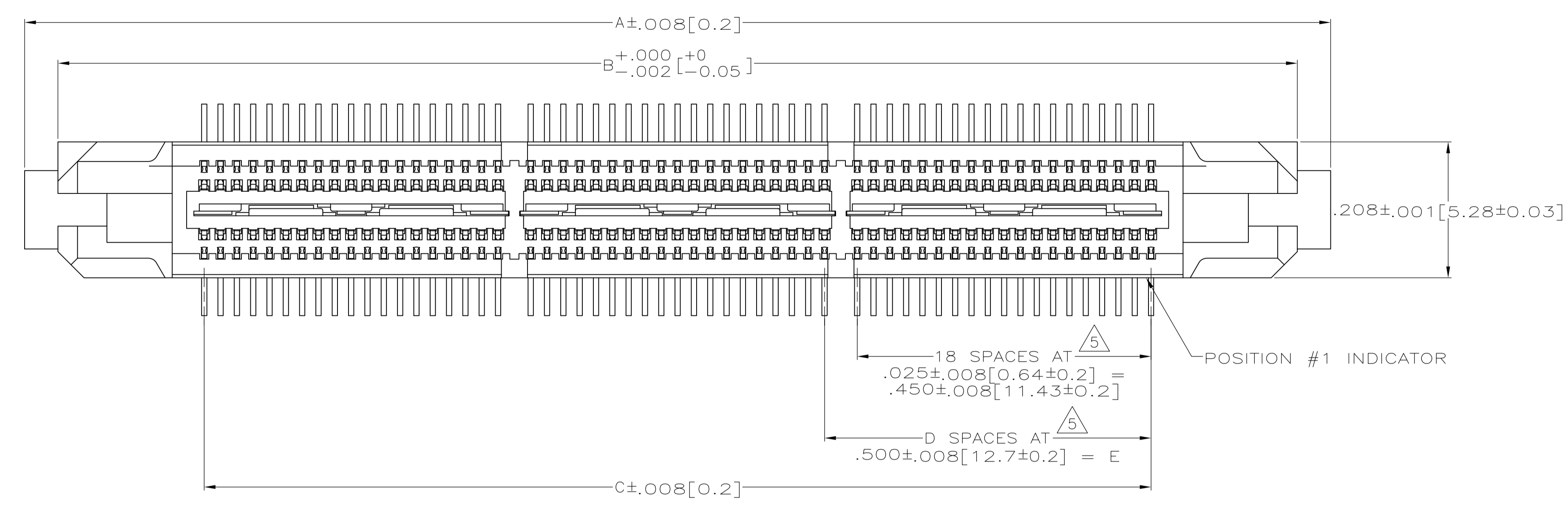


LOC		DIST		REVISIONS				
AD	47	REV	DATE	BY	CHKD	APVD		
N1	REVISED PER	ECO-12-007590	19JUL12	KH	MH			

- 1 HOUSING: LIQUID CRYSTAL POLYMER, COLOR BLACK.
CONTACTS: HIGH RELIABILITY COPPER ALLOY.
GROUND BUSES: BRASS, UNS C26000
- 2 CONTACTS & GROUND BUSES: NICKEL UNDERPLATE ALL OVER,
MATING SURFACE PLATED TO MEET LEVEL 2 PERFORMANCE
REQUIREMENTS OF TE PRODUCT SPECIFICATION 108-1422,
SOLDER TAILS PLATED TIN-LEAD.
- 3 DATE CODE MARKED IN AREA INDICATED ON SAME SIDE AS
POSITION #1.
- 4 ONE GROUND BUS WITH 5 TAILS PER EACH MODULE.
- 5 TOLERANCE NON-ACCUMULATIVE.
- 6 FOR SLIP-FIT APPLICATIONS, ORIENTATION HOLE TO BE
 $\phi.079 \pm .001 [2.00 \pm 0.03]$.



INCHES	MILLIMETERS	INCHES	MILLIMETERS	INCHES	MILLIMETERS	INCHES	MILLIMETERS	NO OF POS	PART NUMBER
3.000 [76.2]	6	3.450 [87.63]	3.898 [99]	4.000 [101.6]	266	767056-7			
2.500 [63.5]	5	2.950 [74.93]	3.398 [86.31]	3.500 [88.9]	228	767056-6			
2.000 [50.8]	4	2.450 [62.23]	2.898 [73.61]	3.000 [76.2]	190	767056-5			
1.500 [38.1]	3	1.950 [49.53]	2.398 [60.91]	2.500 [63.5]	152	767056-4			
1.000 [25.4]	2	1.450 [36.83]	1.898 [48.21]	2.000 [50.8]	114	767056-3			
.500 [12.7]	1	.950 [24.13]	1.398 [35.51]	1.500 [38.1]	76	767056-2			
.000 [0]	0	.450 [11.43]	.898 [22.81]	1.000 [25.4]	38	767056-1			
E	D	C	B	A					

THIS DRAWING IS A CONTROLLED DOCUMENT.

DIN J. GERACE 8-23-96
 CJK P. MATAR 8-23-96
 A. MONK 8-23-96

TE Connectivity

PLUG ASSEMBLY, .260 [6.6] VERTICAL, .025 [0.64] CL, GULL WING LEADS, MICTOR

108-1422

114-11004

00779 C=767056

CUSTOMER DRAWING SCALE 8:1 SHEET 1 OF 1 REV N1