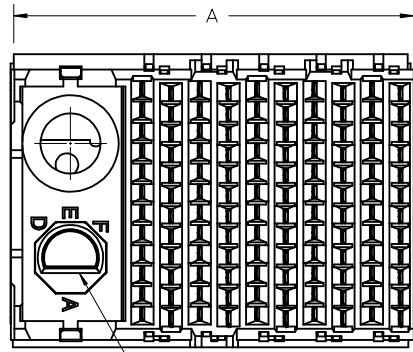
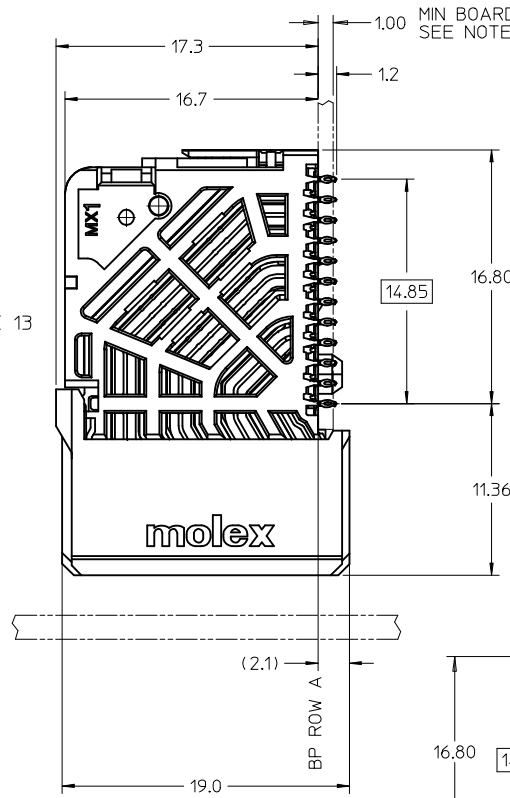


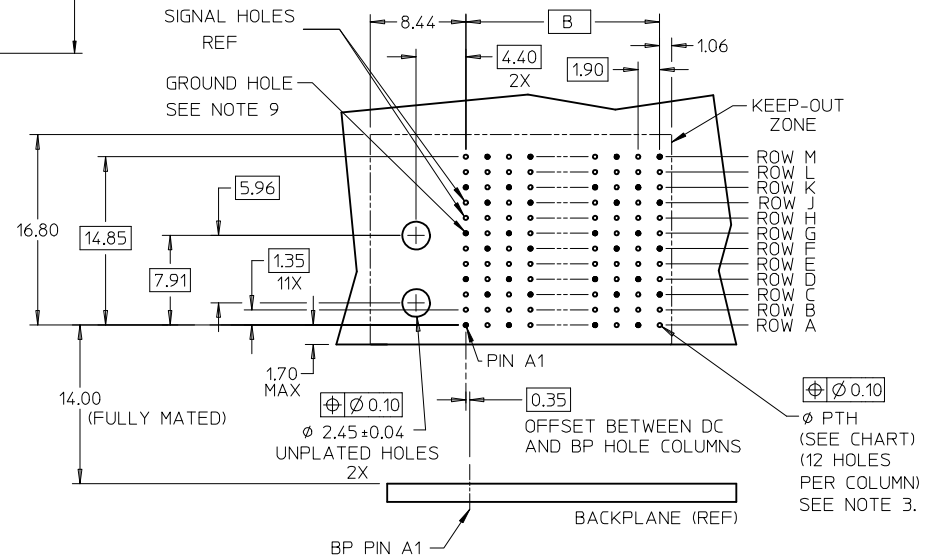
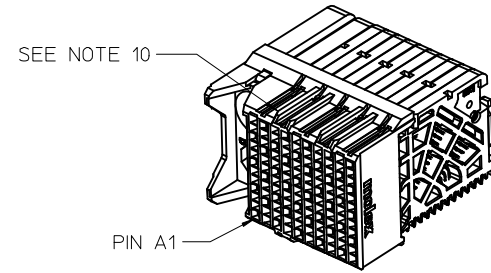
SEE NOTE 13



KEY SHOWN IN POSITION "A"



MIN BOARD THICKNESS
SEE NOTES 11 AND 12



DAUGHTERCARD HOLE PATTERN
(CONNECTOR SIDE)

- NOTES:
1. MATERIALS: HOUSING - GRAY LIQUID CRYSTAL POLYMER (LCP), GLASS-FILLED, UL94V-0 TERMINALS - HIGH PERFORMANCE COPPER ALLOY
 2. FINISH: 30µN MIN SELECTIVE GOLD IN CONTACT AREA, SELECTIVE TIN ON PCB TAILS, NICKEL OVERALL.
 3. REFER TO MOLEX PRODUCT SPEC PS-170540-999 FOR PERFORMANCE SPECIFICATIONS AND ADDITIONAL PCB INFORMATION.
 4. EACH SIGNAL WAFER CONTAINS 2 COLUMNS OF TERMINALS.
 5. PRODUCT IS PACKAGED PER PK-70873-610.
 6. THIS PART CONFORMS TO CLASS B REQUIREMENTS OF COSMETIC SPEC PS-45499-002.
 7. REFER TO MOLEX SALES DRAWING SD-170335-0002 FOR THE MATING HEADERS.
 8. REFER TO MOLEX PCB ROUTING GUIDE AS-76060-990 FOR THE ANTIPAD AND ROUTING RECOMMENDATIONS.
 9. GROUND PATHS ARE NOT DISCRETE CIRCUITS WITHIN CONNECTOR DUE TO PRESENCE OF PLUS CLIP.
 10. PART NUMBER 170340-3120 SHOWN ON DRAWING. KEYING FEATURES WILL CHANGE WITH COLUMN SIZE.
 11. MINIMUM BOARD THICKNESS IS 1.00 mm FOR COMPLIANT PIN FUNCTIONALITY.
 12. WHEN USING MOLEX SUPPLIED #2-32 SCREW 73726-0000, THE MAXIMUM BOARD THICKNESS IS 4.4 mm.
 13. MARKING: LOCATED APPROXIMATELY AS SHOWN, PART NUMBER AND DATE CODE.

ADD LASER MARK INFO EC NO: UCP2016-3973 DRWINDVARVARA 2015/08/19 CHKD:TELO 2016/02/22 APPR:TELO 2016/04/20	QUALITY SYMBOLS 	GENERAL TOLERANCES (UNLESS SPECIFIED)		DIMENSION STYLE MM ONLY	SCALE 4:1	DESIGN UNITS METRIC	THIRD ANGLE PROJECTION		
		4 PLACES ± --- ± --- 3 PLACES ± --- ± --- 2 PLACES ± 0.13 ± --- 1 PLACE ± 0.25 ± --- 0 PLACE ± ±	m/m INCH ± --- ± --- ± 0.13 ± --- ± 0.25 ± --- ± ±	DRAWN BY TELO	DATE 2010/05/12	CHECKED BY TELO	DATE 2012/02/17	IMPACT 4-PAIR 85-OHM DAUGHTERCARD SIGNAL GUIDE LEFT SALES DRAWING	
		ANGULAR ±1/2°		APPROVED BY JB INGHAM	DATE 2012/04/16	molex		DOCUMENT NO. SD-170340-0002	SHEET NO. 1 OF 2
		DRAFT WHERE APPLICABLE MUST REMAIN WITHIN DIMENSIONS		MATERIAL NO. SEE CHART		THIS DRAWING CONTAINS INFORMATION THAT IS PROPRIETARY TO MOLEX INCORPORATED AND SHOULD NOT BE USED WITHOUT WRITTEN PERMISSION			

MATERIAL NUMBER	# OF COLUMNS	# OF DIFF PAIR	DIM "A" MAX	DIM "B"	PTH ϕ
170340-3*06	6	24	19.00	9.50	0.46 ± 0.05
170340-3*08	8	32	22.80	13.30	
170340-3*10	10	40	26.60	17.10	
170340-3*12	12	48	30.40	20.90	
170340-3*14	14	56	34.20	24.70	
170340-3*16	16	64	38.00	28.50	0.39 ± 0.05
170340-3*36	6	24	19.00	9.50	
170340-3*38	8	32	22.80	13.30	
170340-3*20	10	40	26.60	17.10	
170340-3*22	12	48	30.40	20.90	
170340-3*24	14	56	34.20	24.70	
170340-3*26	16	64	38.00	28.50	

170340-****

MODULE AND TAIL PLATING TYPE
3 = LEFT GUIDED LEAD-FREE

POLARIZATION KEY ORIENTATION

- 0 = NO KEY
 1 = A 5 = E
 2 = B 6 = F
 3 = C 7 = G
 4 = D 8 = H

- # OF COLUMNS
 06 = 6 COL 0.46 PTH
 08 = 8 COL 0.46 PTH
 10 = 10 COL 0.46 PTH
 12 = 12 COL 0.46 PTH
 14 = 14 COL 0.46 PTH
 16 = 16 COL 0.46 PTH
 20 = 10 COL 0.39 PTH
 22 = 12 COL 0.39 PTH
 24 = 14 COL 0.39 PTH
 26 = 16 COL 0.39 PTH
 36 = 6 COL 0.39 PTH
 38 = 8 COL 0.39 PTH

SEE SHEET 1 EC NO: UCP2016-3973 DRWNG: VARVARA 2015/08/19 CHKD: TELO 2016/02/22 APPR: TELO 2016/04/20	QUALITY SYMBOLS	GENERAL TOLERANCES (UNLESS SPECIFIED)	DIMENSION STYLE MM ONLY	SCALE 4:1	DESIGN UNITS METRIC	THIRD ANGLE PROJECTION
	▽=0	4 PLACES ± --- ± ---	DRAWN BY DATE TELO 2010/05/12	TITLE IMPACT 4-PAIR 85-OHM DAUGHTERCARD SIGNAL GUIDE LEFT SALES DRAWING		
	▽=0	3 PLACES ± --- ± ---	CHECKED BY DATE TELO 2012/02/17			
	▽=0	2 PLACES ± 0.13 ± ---	APPROVED BY DATE JB INGHAM 2012/04/16	MATERIAL NO.	DOCUMENT NO.	SHEET NO.
	1 PLACE ± 0.25 ± ---	ANGULAR ±1/2°	SEE CHART	SD-170340-0002	2 OF 2	
	0 PLACE ± ±	DRAFT WHERE APPLICABLE MUST REMAIN WITHIN DIMENSIONS	SIZE C	THIS DRAWING CONTAINS INFORMATION THAT IS PROPRIETARY TO MOLEX INCORPORATED AND SHOULD NOT BE USED WITHOUT WRITTEN PERMISSION		