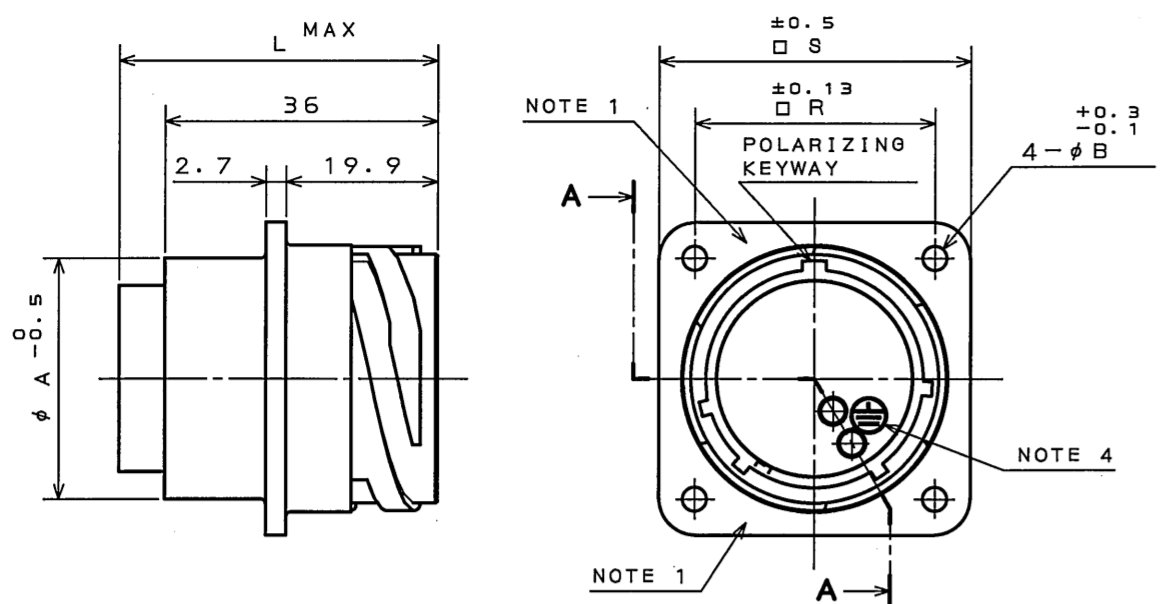


版数 REV.	年月日 DATE	CON NO.	変更内容 DESCRIPTION	製図 DR.	担当 CHK.	査閲 APPD.	承認 APPD.
2	19.May.2006	060114	CORRECT AN ERROR		M.NITTA	E. Matsumoto	A. Onogawa



SOCKET INSERT (THE UPPER PART)
ソケットインサートの場合(上) SECT. A-A
PIN INSERT (THE LOWER PART)
ピンインサートの場合(下) (SCALE 2:1)

TABLE 1 【DIMENSIONS】

SHELL SIZE	φ A ±0.5	φ B ±0.3	□ S ±0.5	□ R ±0.13
18	24.9	3.2	35	26.97
20	29.6	3.2	38.1	29.36
22	31.8	3.2	41.3	31.75
24	35.0	4.2	44.3	34.92
28	41.3	4.2	50.8	39.67

TABLE 2 【INSERT ARRANGEMENT】 (NOTE 2)

SHELL SIZE	CONTACT SIZE	# 8	# 12	# 16	# 20
18	NO. OF CONTACT	5	10	10	19
	INSERT ARRANGEMENT	18-11	18-1	18-1	18-19A
	DWG. NO.	SJ024904	SJ025293	SJ025297	SJ025297
20	NO. OF CONTACT	7	17	17	30
	INSERT ARRANGEMENT	20-15	20-29	20-29	20-30A
	DWG. NO.	SJ025291	SJ025294	SJ025298	SJ025298
22	NO. OF CONTACT	4	8	19	
	INSERT ARRANGEMENT	22-22	22-23	22-14	
	DWG. NO.	SJ024906	SJ025292	SJ024905	
24	NO. OF CONTACT	7		24	52
	INSERT ARRANGEMENT	24-10		24-28	24-52A
	DWG. NO.	SJ024907		SJ025295	SJ025299
28	NO. OF CONTACT			37	73
	INSERT ARRANGEMENT			28-21	28-73A
	DWG. NO.			SJ025296	SJ026288

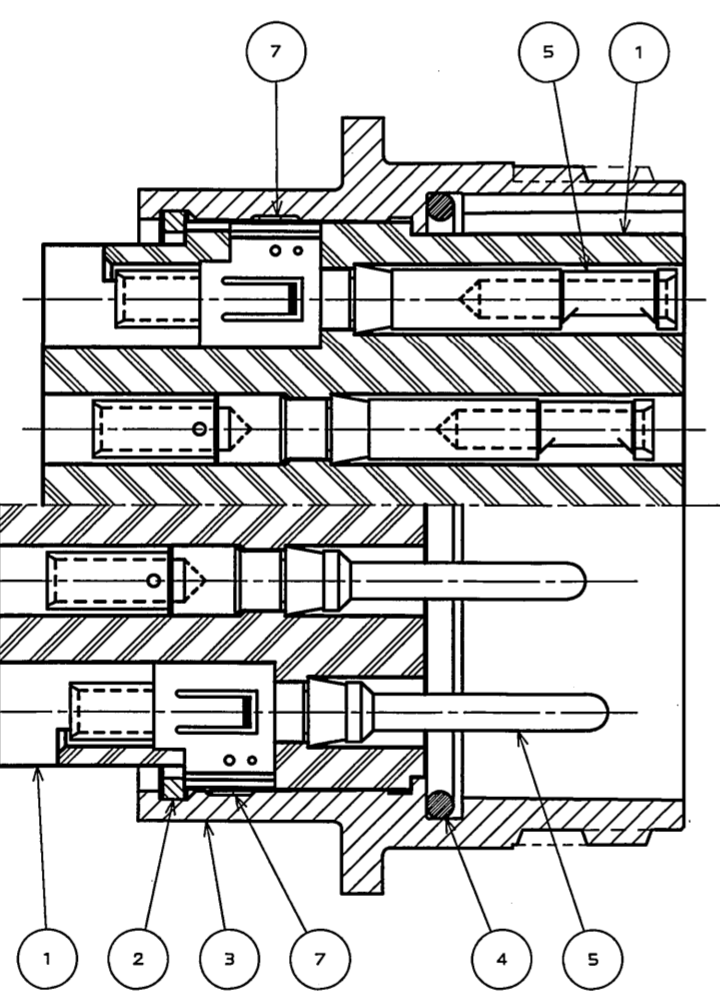
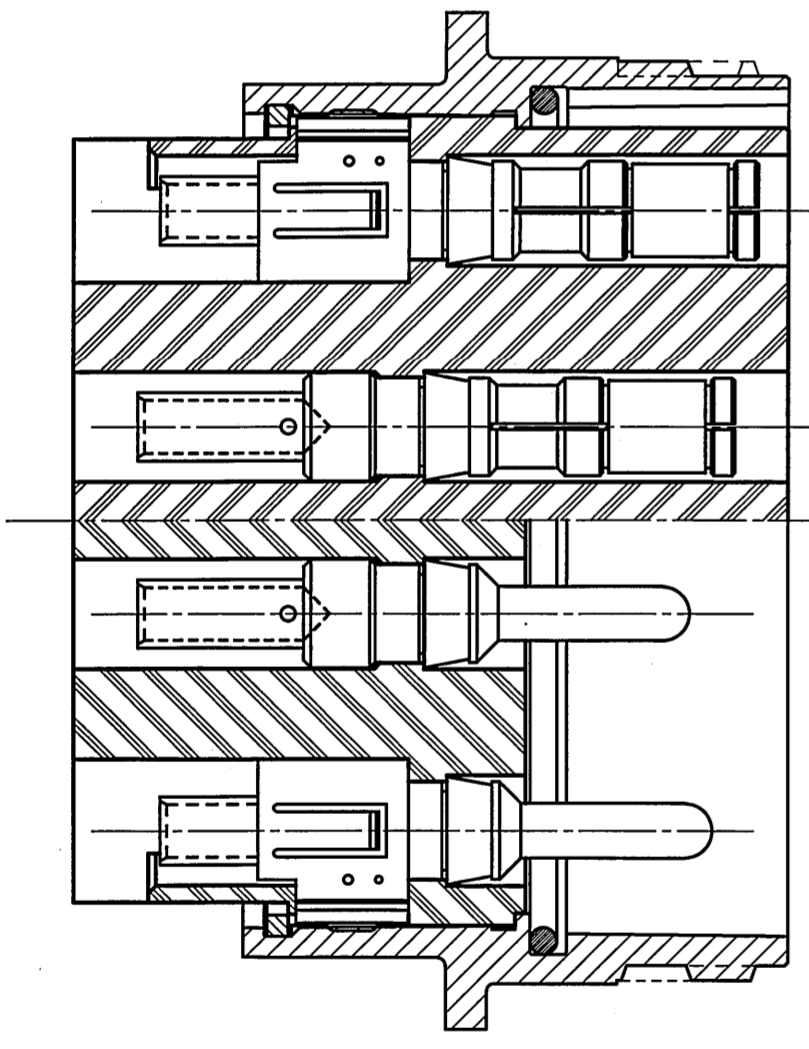
CONTACT SIZE	L MIN.	
	PIN INSERT	SOCKET INSERT
# 8	48	
# 12	46	43
# 16	43	38
# 20	40	36.5

TABLE 3 【CRIMP TYPE CONTACTS】 (NOTE 3)

CONTACT SIZE	PIECE	CONTACT PART NUMBERS				TYPE	APPLICABLE WIRE	
		PIN CONTACT	DWG. NO.	SOCKET CONTACT	DWG. NO.			
# 8	INDIVIDUAL	CONT-JL05-08P-01	SJ025430	CONT-JL05-08S-01	SJ025431	MACHINE	AWG# 8~10 (8mm~5.5mm)	
# 12	INDIVIDUAL	CONT-JL05-08P-02	SJ025428	CONT-JL05-08S-02	SJ025429	MACHINE	AWG# 10~12 (5.5mm~3.5mm)	
# 16	INDIVIDUAL	CONT-JL05-12P-01	SJ025428	CONT-JL05-12S-01	SJ025429	MACHINE	AWG# 12~16 (3.5mm~1.25mm)	
		ST-JL05-16P-01	SJ025424	ST-JL05-16S-01	SJ025425	STAMPE	AWG# 14~16 (2mm~1.25mm)	
	ST-JL05-16P-02	SJ025424	ST-JL05-16S-02	SJ025425	STAMPE	AWG# 16~20 (1.25mm~0.5mm)		
	ST-JL05-16P-03	SJ025424	ST-JL05-16S-03	SJ025425	STAMPE	AWG# 20~24 (0.5mm~0.2mm)		
REELS OF 3500	INDIVIDUAL	ST-JL05-16P-01-3500	SJ025426	ST-JL05-16S-01-3500	SJ025427	STAMPE	AWG# 14~16 (2mm~1.25mm)	
		ST-JL05-16P-02-3500	SJ025426	ST-JL05-16S-02-3500	SJ025427	STAMPE	AWG# 16~20 (1.25mm~0.5mm)	
	ST-JL05-16P-03-3500	SJ025426	ST-JL05-16S-03-3500	SJ025427	STAMPE	AWG# 20~24 (0.5mm~0.2mm)		
	ST-JL05-16P-03-3500	SJ025426	ST-JL05-16S-03-3500	SJ025427	STAMPE	AWG# 20~24 (0.5mm~0.2mm)		
# 20	INDIVIDUAL	ST-JL05-20P-01	SJ025420	ST-JL05-20S-01	SJ025421	STAMPE	AWG# 18~22 (0.8mm~0.3mm)	
		ST-JL05-20P-02	SJ025420	ST-JL05-20S-02	SJ025421	STAMPE	AWG# 22~26 (0.3mm~0.13mm)	
	REELS OF 10000	INDIVIDUAL	ST-JL05-20P-01-10000	SJ025422	ST-JL05-20S-01-10000	SJ025423	STAMPE	AWG# 18~22 (0.8mm~0.3mm)
	ST-JL05-20P-02-10000		SJ025422	ST-JL05-20S-02-10000	SJ025423	STAMPE	AWG# 22~26 (0.3mm~0.13mm)	

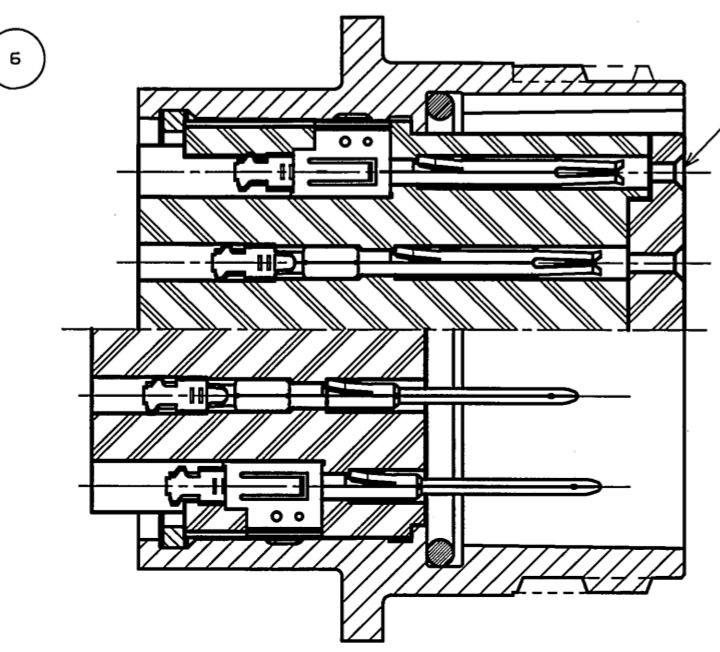
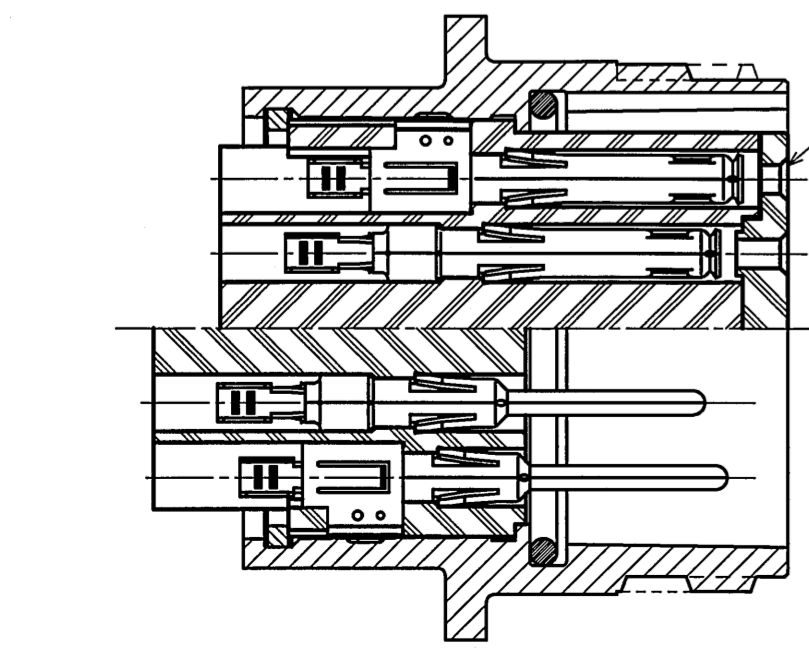
★INSERT OF #8 CONTACTS

★INSERT OF #12 CONTACTS



★INSERT OF #16 CONTACTS

★INSERT OF #20 CONTACTS



DESIGNATION
命名法

JL05-2A22-14*PC*-FO-R

SERIES PREFIX
シリーズ名
2: BOX MOUNTING RECEPTACLE
2: レセプタクル
A: THE STRUCTURE OF WATERPROOF
A: 防水構造
SHELL SIZE: 18, 20, 22, 24, 28
シェルサイズ: 18, 20, 22, 24, 28
INSERT ARRANGEMENT (NOTE 2)
インサート配列名
CONTACT TYPE
PC: CRIMP TYPE OF PIN CONTACT
SC: CRIMP TYPE OF SOCKET CONTACT
P: SOLDER TYPE OF PIN CONTACT
S: SOLDER TYPE OF SOCKET CONTACT
PC: クリムピンコンタクト
SC: クリムソケットコンタクト
P: 半田用ピンコンタクト
S: 半田用ソケットコンタクト
ALTERNATE INSERT POSITIONS: W, X, Y, Z, V
STANDARD: NORMAL POSITION
インサート回転位置: W, X, Y, Z, V
無し: 標準位置
FO: LESS CONTACTS
FO: コンタクト無し
R: SUFFIX
R: 特殊記号

NOTE 1. COMPANY LOGO "JAE" & PART NUMBER ARE MARKED AS INDICATED.
"-FO" AND "-R" ARE NOT MARKED.
2. FOR INSERT ARRANGEMENT, SEE TABLE 2.
3. FOR APPLICABLE CONTACTS, SEE TABLE 3.
4. THIS MARK (⊕) INDICATES EARTH.
1. 図示の位置に "社名" 及び "品名" を表示する。
但し、品名末尾の "-FO" 及び "-R" は表示しない。
2. インサート配列は表2による。
3. 適合コンタクトは表3による。
4. このマーク ⊕ は保護回路接続を表す。

7	EARTH LUG	1	COPPER ALLOY	SILVER PLATING	
6	COVER INSULATOR	1	SYNTHETIC RESIN		INSULATOR FOR #16 & #20 SOCKET CONTACTS
5	CONTACT		COPPER ALLOY	SILVER PLATING	NOTE 2, 3
4	*O* RING	1	SYNTHETIC RUBBER		
3	SHELL	1	ALUMINUM ALLOY	ZINC PLATING	
2	RETAINING RING	1	COPPER ALLOY	ZINC PLATING	
1	BASE INSULATOR	1	SYNTHETIC RESIN		

符号 NO.	名称 DESCRIPTION	個数 QTY.	材料 MATERIAL	仕上 FINISH	備考 REMARKS
7	EARTH LUG	1	COPPER ALLOY	SILVER PLATING	
6	COVER INSULATOR	1	SYNTHETIC RESIN		INSULATOR FOR #16 & #20 SOCKET CONTACTS
5	CONTACT		COPPER ALLOY	SILVER PLATING	NOTE 2, 3
4	*O* RING	1	SYNTHETIC RUBBER		
3	SHELL	1	ALUMINUM ALLOY	ZINC PLATING	
2	RETAINING RING	1	COPPER ALLOY	ZINC PLATING	
1	BASE INSULATOR	1	SYNTHETIC RESIN		

仕様書 (SPECIFICATION)	第1版 (ORIGINAL DATE)	尺度 (SCALE)	シリーズ (SERIES)	備考 (REMARKS)
JAS-5071 T90-3	6.Jan.2006	1:1	JL05	日本航空電子工業株式会社 JAPAN AVIATION ELECTRONICS INDUSTRY, LTD.
公差 (GENERAL TOLERANCE)	製図 DR.	名称 (TITLE)	JL05-2A** *****-R (BOX MOUNTING RECEPTACLE)	
寸法 (DIMENSION)	担当 CHK.	図面番号 (DRAWING NO.)		
. ±0.8	査閲 APPD.	SJ105242		
.X ±0.4	承認 APPD.	版数 (REV.)		
.XX ±0.1	承認 APPD.	2		
.XXX ±				