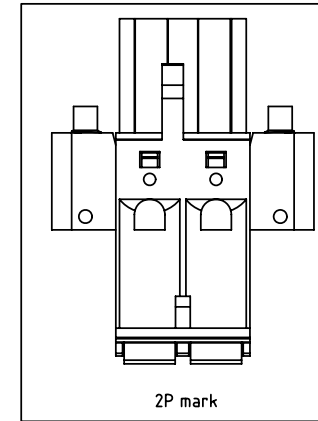
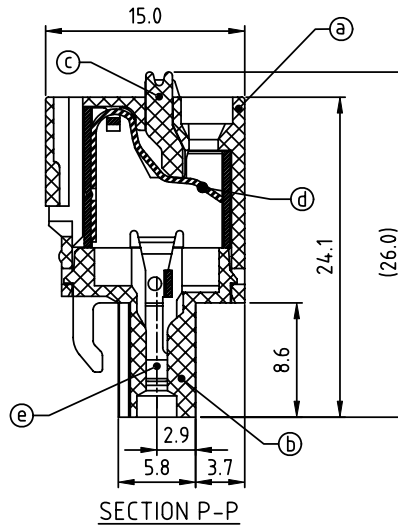
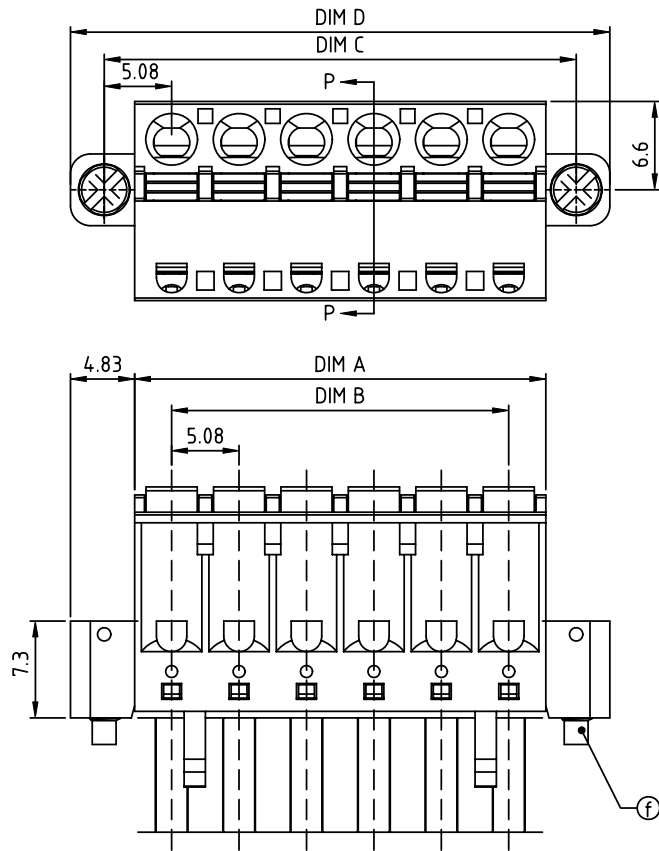


PRODUCT NUMBER	PITCH
HWxx50x500J0G	5.08 mm



Material:

- Item ① Top body: Thermoplastic (UL94V-0)
- Item ② Bottom body: Thermoplastic (UL94V-0)
- Item ③ Terminal lever: Thermoplastic (UL94V-0) Orange(RAL2011/P)
- Item ④ Spring clamp: Stainless Steel
- Item ⑤ Female contact: PhBz (CuSn) Tin plated
- Item ⑥ Flange screw: Steel Zinc plating M2.5 solt "+/-" combination type

Electrical cULus

- Voltage rating: 300V
- Current rating: 10A
- Solid wire (AWG): 12-26
- Stranded wire (AWG): 12-26
- Wire strip length: 9-10mm
- Withstanding Voltage: 1.6KV
- Operating temperature: -40°C to +115°C

Dimension
 DIM A = N × 5.08 + 0.5
 DIM B = (N - 1) × 5.08
 DIM C = (N - 1) × 5.08 + 10.16
 DIM D = (N - 1) × 5.08 + 15.24
 N = Number of poles

POLES	Tolerance
2p-6p	±0.15
7p-12p	±0.20
13p-16p	±0.30
17p-24p	±0.40

PART NO.: HW xx 50 x 5 00J0 G

Solid block	No. of poles	Color	RoHS compliant (lead<4%) In copper Alloy
0	2	Black (RAL9005)	
2	3	Red (RAL3001/D)	
3	4	Orange (RAL2011/P)	
4	5	Yellow (RAL1018/A)	
5	6	Green (RAL6018/T)	
6	8	Blue (RAL5015/A)	
8	9	Grey (RAL7035/D)	
9	8	White (RAL1102)	
C		Green (RAL6018/U)	

mat'l. code		surface ASME Y14.5	tolerance ASME Y14.5	projection	product family TERMINAL BLOCK
ltr	ecn no	dr	date	tolerances unless otherwise specified	title TERMINAL BLOCK SPRING CLAMP, PLUGGABLE PLUG, WITH FLANGE CONTACT IN THE MIDDLE SIDE
				angles X ± 1°	scale
				dr EVIN ZHONG 051514	dwg no HWxx50x500J0G
				engr EVIN ZHONG 051514	sheet 1 of 1 size A4
				chr HANKE FENG 051514	type CUSTOMER Drawing
				appd SHI JUN 051514	
sheet index	revision sheet	A	1		