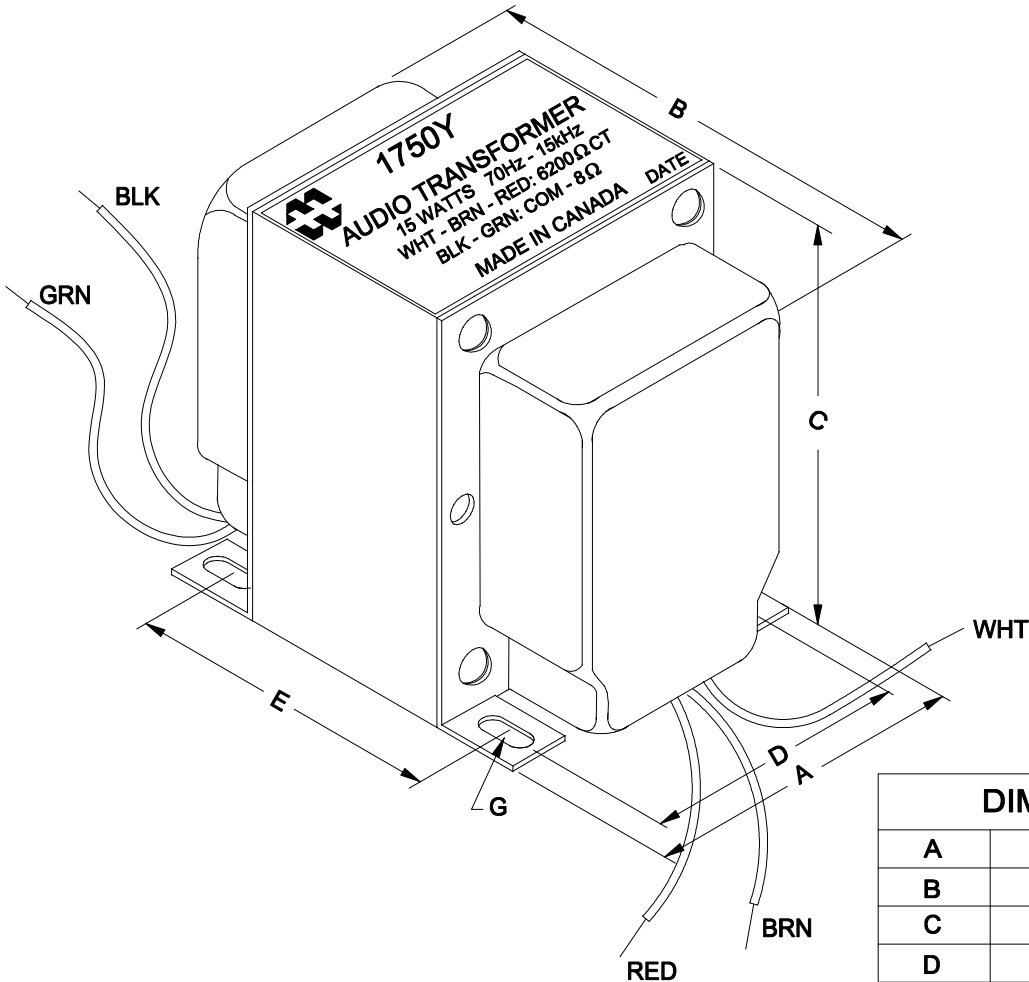
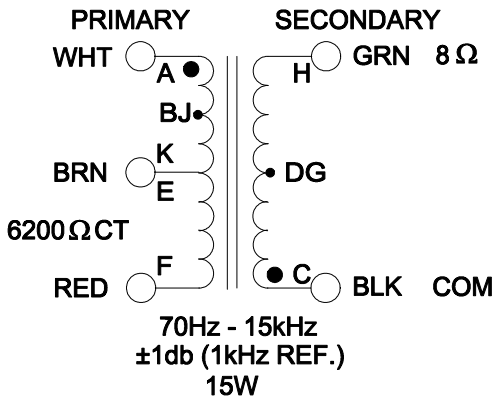


1750Y



DIMENSIONS:	
A	2.500" ±0.063
B	3.328" ±0.125
C	3.060" ±0.063
D	1.875" ±0.063
E	2.376" ±0.063
G	0.185" X 0.370" ±0.015

NOTE: ALL LEADS 18.0" OUT MIN., STRIPPED .5"



ELECTRICAL DATA:	
Turns ratio:	27.87 : 1
Inductance	@240V,60Hz =>21.22H (Open circuit)
DCR	@ 20C, WHT - RED =289.0 Ω ±20%
	@ 20C, BLK - GRN =0.480 Ω ±20%
FREQ. RESP	@ 15W (305V), 70Hz - 15kHz, WHT - RED±1db (1kHz Ref.)
Pri. Impedance	6200 Ω CT (305V)
Sec. Impedance	8 Ω (10.95V)
Power	15 WATTS

**HAMMOND  
ELECTRONICS**  
52 RANKIN PLACE,  
WATERLOO, ONTARIO, N2L 3Z5.  
PHONE (519) 886-6181  
FAX # (519) 886-9540

TITLE				1750Y
OUTPUT TRANSFORMER				
			DR BY IOAN POP	
0	05/11/09	PRELIMINARY.	I.P. DATE 05/11/09	
NO	DATE	REVISION	DIM IN(X)MM( )	