

NOTES:

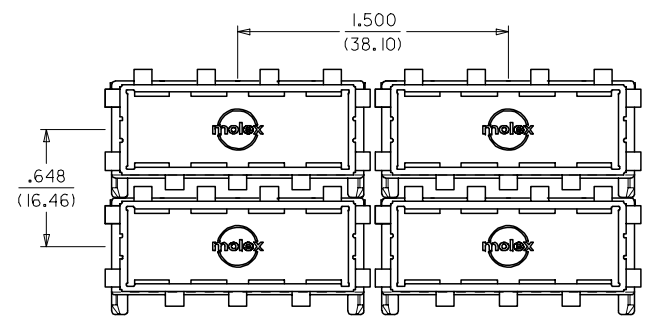
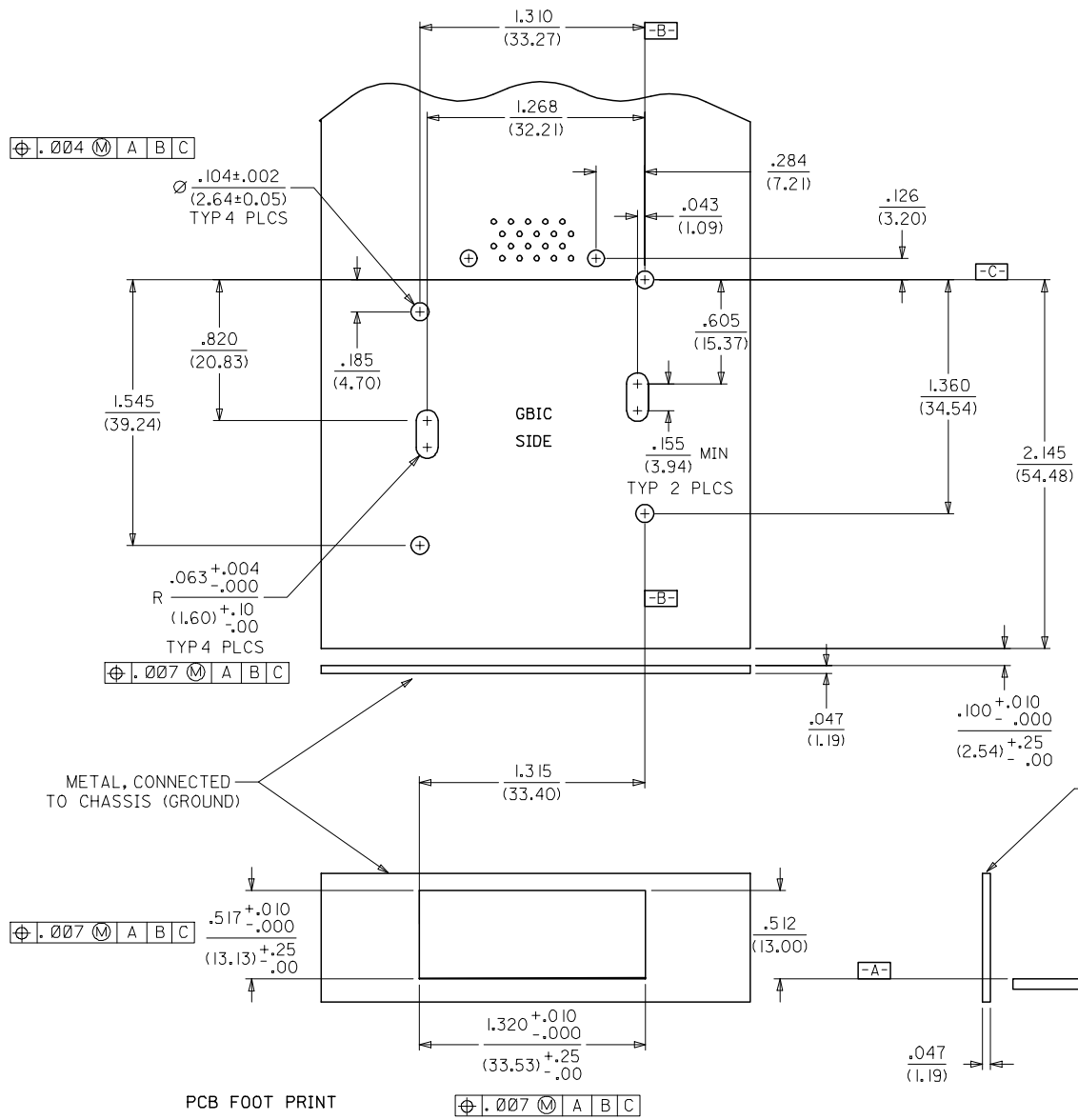
1. MAIN BODY, ZINC DIECAST, BRIGHT TIN PLATED
2. GASKET, STAMPED, PHOSPHER BRONZE, BRIGHT TIN PLATED
3. DOOR, ZINC DIECAST, BRIGHT NICKEL PLATED
4. EMI COVER, STAMPED BRASS ALLOY, BRIGHT TIN PLATED
5. TORTION SPRING, STAINLESS STEEL
- ⚠ BACK SIDE OF FRONT PANEL TO BE CONDUCTIVE.
- ⚠ MAXIMUM GASKET HEIGHT AND WIDTH WHEN INSERTED INTO FRONT PANEL, .682 AND 1.488 RESPECTIVELY.
- ⚠ -1001 VERSION DOES NOT HAVE THE MOLEX LOGO ON THE DOOR
- ⚠ DOOR IS BRIGHT TIN PLATED

⚠	.062 (1.57)	.123 (3.12)	73847-1007
	.093 (2.36)	.154 (3.91)	73847-0004
⚠	.100 (2.54)	.161 (4.09)	73847-0003
	.085 (2.16)	.146 (3.71)	73847-0002
⚠	.062 (1.57)	.123 (3.12)	73847-0001
	.062 (1.57)	.123 (3.12)	73847-1001
	PCB THICKNESS	"B"	PART NUMBER

ENTER DESCRIPTION EC NO: USY2007-0073 DRAWN: JERWIN 2006/09/05 CHKD: JERWIN 2006/09/05 APPR: DDOYE 2006/09/05 REVISIONS	QUALITY SYMBOLS	GENERAL TOLERANCES (UNLESS SPECIFIED)	DIMENSION STYLE	SCALE	DESIGN UNITS	THIRD ANGLE PROJECTION	
	▽=0 ▽=0	mm INCH 4 PLACES ± --- ± --- 3 PLACES ± --- ± .005 2 PLACES ± 0.13 ± --- 1 PLACE ± --- ± --- ANGULAR ± --- °	MM/IN	MM/IN	METRIC	⊗	
				DRAWN BY JERWIN DATE 2006/08/28		TITLE GBIC GUIDE ASSEMBLY	
				CHECKED BY DDOYE DATE 2006/08/28			
			APPROVED BY DDOYE DATE 2006/08/28				
		DRAFT WHERE APPLICABLE MUST REMAIN WITHIN DIMENSIONS	MATERIAL NO. SEE CHART	MOLEX INCORPORATED	DOCUMENT NO. SD-73847-001	SHEET NO. 1 OF 2	
			THIS DRAWING CONTAINS INFORMATION THAT IS PROPRIETARY TO MOLEX INCORPORATED AND SHOULD NOT BE USED WITHOUT WRITTEN PERMISSION				

13 12 11 10 9 8 7 6 5 4 3 2 1

J I H G F E D C B A



MINIMUM STACK PITCH
SIDE TO SIDE AND TOP TO BOTTOM

PCB FOOT PRINT

⊕ .007 (M) A B C

⊕ .007 (M) A B C

⊕ .004 (M) A B C

⊕ .007 (M) A B C

2006/09/05 ENTER DESCRIPTION FC NO: USY2007-0073 DRAWN: JERWIN CHKD: JERWIN APPR: DDOYE	2006/09/05	DESCRIPTION	QUALITY SYMBOLS
			=0 ∇=0

GENERAL TOLERANCES (UNLESS SPECIFIED)	
mm	INCH
4 PLACES ± .005	± .0005
3 PLACES ± .005	± .0005
2 PLACES ± 0.13	± .005
1 PLACE ± .005	± .0005
ANGULAR ± .005	

DIMENSION STYLE	
MM/IN	
DRAWN BY	DATE
JERWIN	2006/08/28
CHECKED BY	DATE
DDOYE	2006/08/28
APPROVED BY	DATE
DDOYE	2006/08/28

SCALE 1:1	DESIGN UNITS METRIC	THIRD ANGLE PROJECTION
TITLE GBIC GUIDE ASSEMBLY		
MATERIAL NO. SEE CHART		DOCUMENT NO. SD-73847-001
SHEET NO. 2 OF 2		

12 11 10 9 8 7 6 5 4 3 2 1