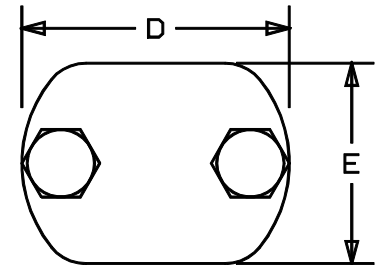
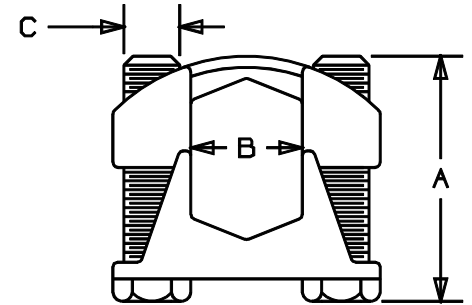


THIS COPY IS PROVIDED ON A RESTRICTED BASIS AND IS NOT TO BE USED IN ANY WAY DETRIMENTAL TO THE INTERESTS OF PANDUIT CORP.

| PART NO. | CONDUCTOR RANGE | | A BOLT LENGTH | APPROXIMATE DIMENSIONS | | | |
|----------|-----------------|-----------------|---------------------|------------------------|------|-----------------|-----------------|
| | MAIN | TAP | | B | C | D | E |
| VT-0-Q | 2STR-1/OSTR | 1OSTR-1/OSTR | 1 1/2 (38) | 13/32 (10.3) | 5/16 | 1 7/16 (37) | 15/16 (24) |
| VT-1-Q | 2STR-2/OSTR | 1OSTR-2/OSTR | 1 1/2 (38) | 1/2 (12.7) | 5/16 | 1 9/16 (40) | 1 1/8 (29) |
| VT-2-Q | 1/OSTR-4/OSTR | 1OSTR-4/OSTR | 1 3/4 (44) | 19/32 (15) | 3/8 | 1 27/32 (47) | 1 11/32 (59) |
| VT-3-12 | 250-350 MCM | 1OSTR-350 MCM | 2 (51) | 3/4 (19) | 1/2 | 2 5/16 (59) | 1 5/8 (41) |
| VT-4-12 | 250-500 MCM | 1OSTR-500 MCM | 2 1/4 (57) | 7/8 (22.2) | 1/2 | 2 7/16 (62) | 1 11/16 (43) |
| VT-5-6 | 400-800 MCM | 3/OSTR-800 MCM | 2 1/2 (64) | 1 1/16 (26.9) | 1/2 | 2 11/16 (68) | 1 7/8 (48) |
| VT-6-6 | 500-1000 MCM | 3/OSTR-1000 MCM | 2 3/4 (70) | 1 1/4 (31.7) | 5/8 | 3 1/16 (78) | 2 1/4 (57) |



NOTES:

1. MATERIAL : BRONZE CASTING
2. U.L. LISTED WITH COPPER CONDUCTORS
3. MADE IN U.S.A.



C41208_00

PANDUIT

CORP.

TINLEY PARK, ILLINOIS

TYPE VT BRONZE TAPS
TWO BOLT CONNECTORS

00 2/97 TM RELEASED

| REV | DATE | BY | CHK | DESCRIPTION | ECN# | CUST | PM | APP | DRAWN BY | CHK'D | SCALE | DRAWING NO. |
|-----|------|----|-----|-------------|------|------|----|-----|----------|-------|-------|-------------|
| | | | | | | | | | T SMA | | NONE | C41208 |