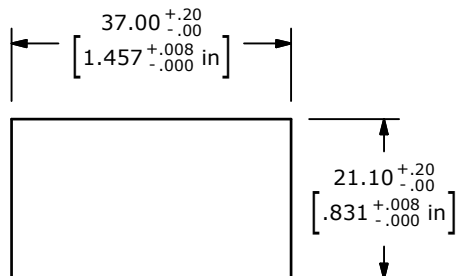
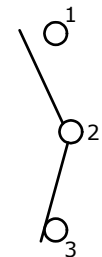
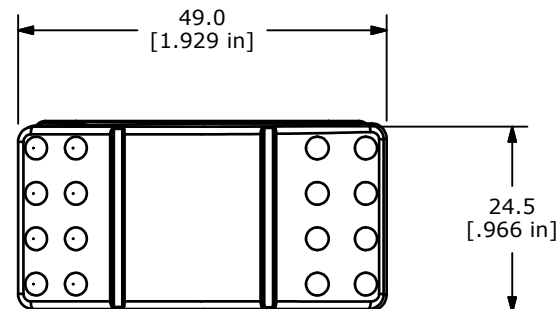


▲ SWITCH FUNCTION		
POS. 1	POS. 2	POS. 3
ON	N/A	ON
1-2	N/A	2-3



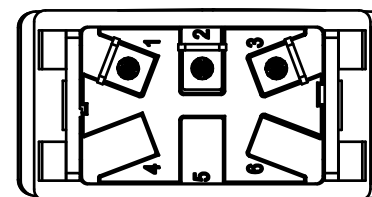
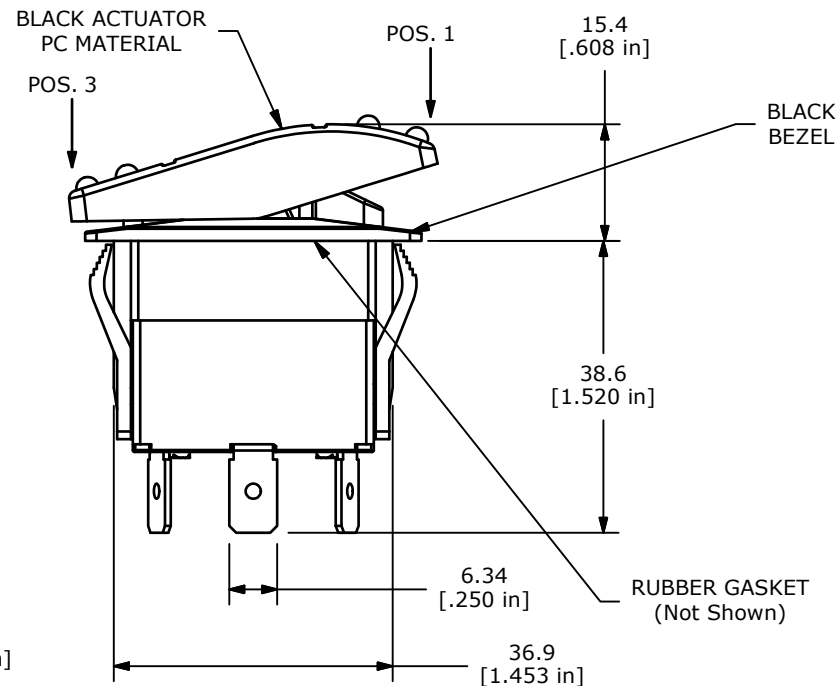
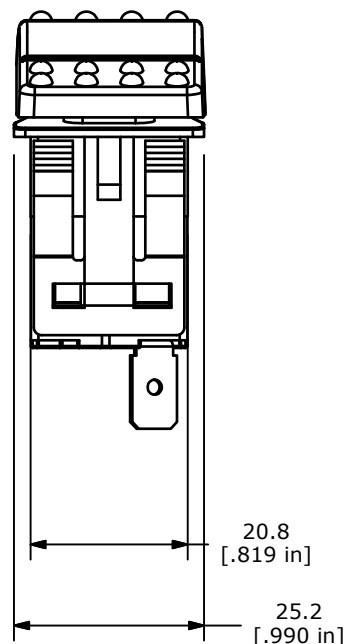
RECOMMENDED  
PANEL CUT-OUT



CIRCUIT: SPDT  
ON - ON

NOTES:

1. ALL DIMENSIONS IN MM [INCH]
2. GENERAL TOLERANCE: X.X=±0.4  
X.XX=±0.25
3. TERM. NOS. FOR REF. ONLY
4. RATING: 16A @ 30VDC, 50/60Hz, μT55  
UL LISTED
5. ELECTRICAL LIFE: 10,000 CYCLES
6. MECHANICAL LIFE: 30,000 CYCLES
7. CONTACT RESISTANCE: <20 MILLI-OHMS INITIAL
8. DIELECTRIC STRENGTH: >1,500V AC 1MIN
9. INSULATION RESISTANCE: >100 MOHMS @ 500VDC
10. OPERATING TEMP: 0°C to 55°C
11. LED VOLTAGE: NONE
12. ▲ DENOTES CRITICAL PARAMETER.
13. 2002/95/EC (ROHS) COMPLIANT



B	21355	Drawing Cleanup	1/15/14	rc
A	21252	New Release	8/14/13	rc
REV	PCR NO	DESCRIPTION	DATE	BY

TITLE R712FA1-SXXXNBDNNX				
SCALE 1:1	DATE 8/14/2013	DR rc	DWG C700003	REV B

THE INFORMATION CONTAINED IN THIS DOCUMENT IS PROPRIETARY TO E-SWITCH AND IS NOT TO BE COPIED OR TRANSFERRED