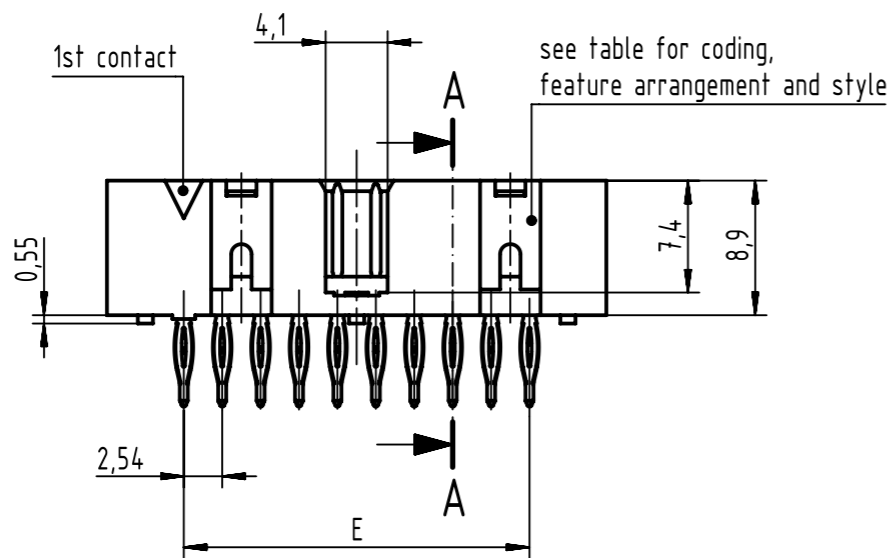
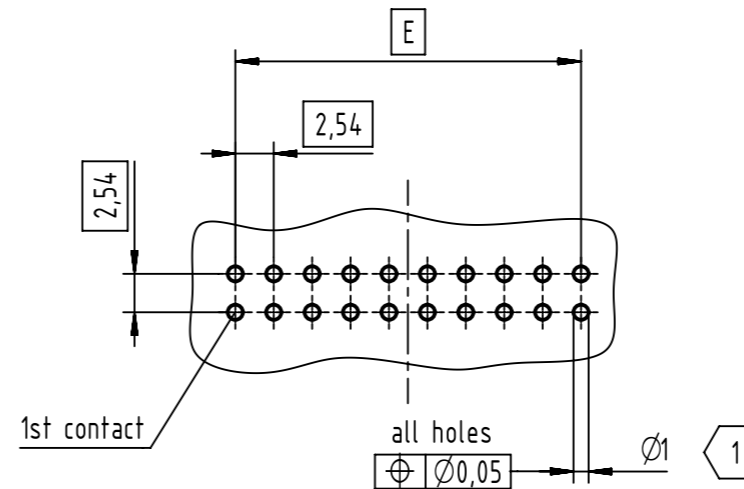
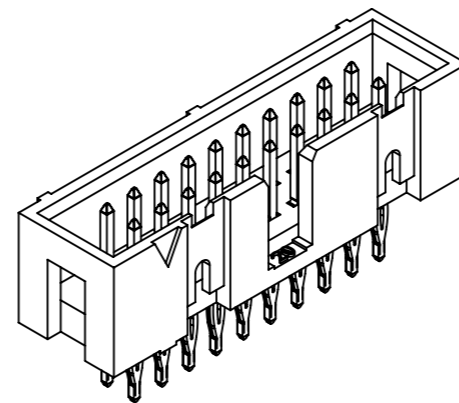
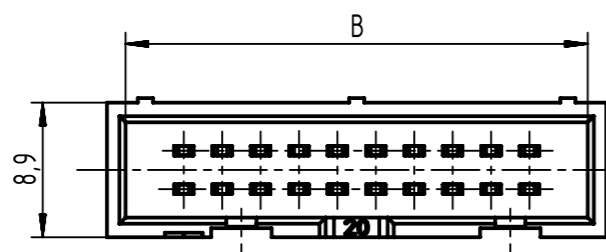
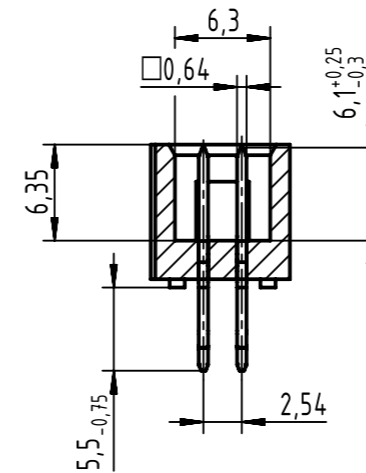


PCB layout
view component side
thickness up to 3.2



A-A



recommended configuration of
plated through holes and
further more information
see DS 09181100001


full range of P/N's and
dimensions shown on page 2/2

coding style table

	style A: for connectors 6-pole
	style B: for connectors from 10 to 14-pole
	style C: for connectors from 16 to 64-pole

	All Dimensions in mm Original Size DIN A3	Scale 2:1	Free size tol. IEC 60603-13	Ref. Sub. TB 09185XXX329 / 50000068837 / 2014-05-16	
	All rights reserved Department EC PD - DE	Created by STORCK	Inspected by LEHNERT	Standardisation HOFFMANN	Date 2015-12-07
HARTING Electronics GmbH D-32339 Espelkamp		Title SEK 18 male low profile straight press-in 5.5			Doc-Key / ECM-Nr. 100154466/UGD/009/A 50000094890
		Type TB	Number 09185XXX329		Rev. A Page 1/2

no. of contacts	performance level			insulator colour	dimensions		
	PL3	PL2	S4		A max.	B	E
06	09 18 506 7329	09 18 506 6329	09 18 506 5329	grey	15,4	12,78	2,54 x 2 = 5,08
10	09 18 510 7329	09 18 510 6329	09 18 510 5329		20,5	17,86	2,54 x 4 = 10,16
14	09 18 514 7329	09 18 514 6329	09 18 514 5329		25,6	22,94	2,54 x 6 = 15,24
16	09 18 516 7329	09 18 516 6329	09 18 516 5329		28,1	25,48	2,54 x 7 = 17,78
20	09 18 520 7329	09 18 520 6329	09 18 520 5329		33,2	30,56	2,54 x 9 = 22,86
26	09 18 526 7329	09 18 526 6329	09 18 526 5329		40,8	38,18	2,54 x 12 = 30,48
30	09 18 530 7329	09 18 530 6329	09 18 530 5329		45,9	43,26	2,54 x 14 = 35,56
34	09 18 534 7329	09 18 534 6329	09 18 534 5329		51,0	48,34	2,54 x 16 = 40,64
40	09 18 540 7329	09 18 540 6329	09 18 540 5329		58,6	55,96	2,54 x 19 = 48,26
50	09 18 550 7329	09 18 550 6329	09 18 550 5329		71,5	68,66	2,54 x 24 = 60,96
60	09 18 560 7329	09 18 560 6329	09 18 560 5329		84,2	81,36	2,54 x 29 = 73,66
64	09 18 564 7329	09 18 564 6329	09 18 564 5329		89,3	86,44	2,54 x 31 = 78,74

	All rights reserved	Created by	Inspected by	Standardisation	Date	State	
	Department EC PD - DE	STORCK	LEHNERT	HOFFMANN	2015-12-07	Final Release	
HARTING Electronics GmbH D-32339 Espelkamp		Title SEK 18 male low profile straight press-in 5.5				Doc-Key / ECM-Nr. 100154466/UGD/009/A 50000094890	
		Type	Number		Rev.	Page	
		TB	09185XXX329		A	2/2	