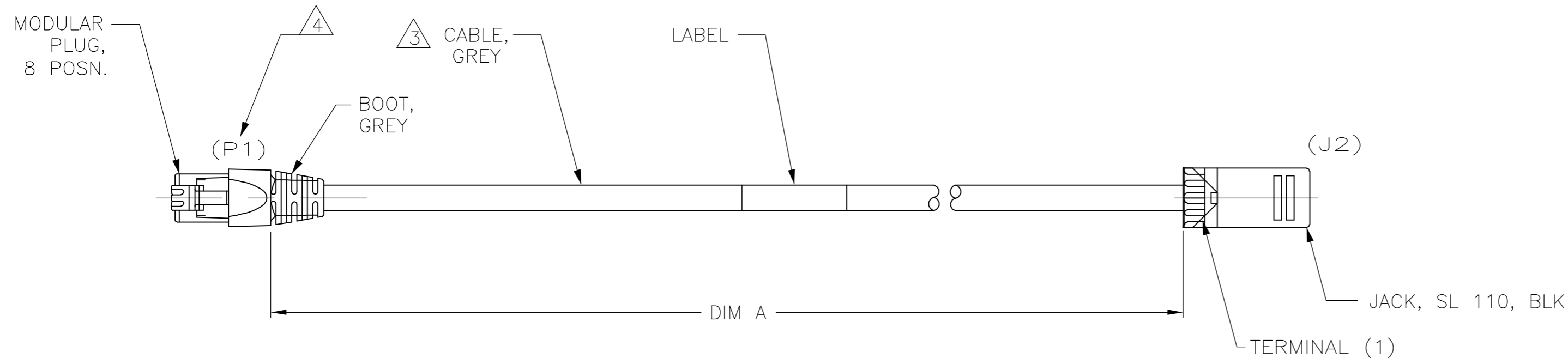
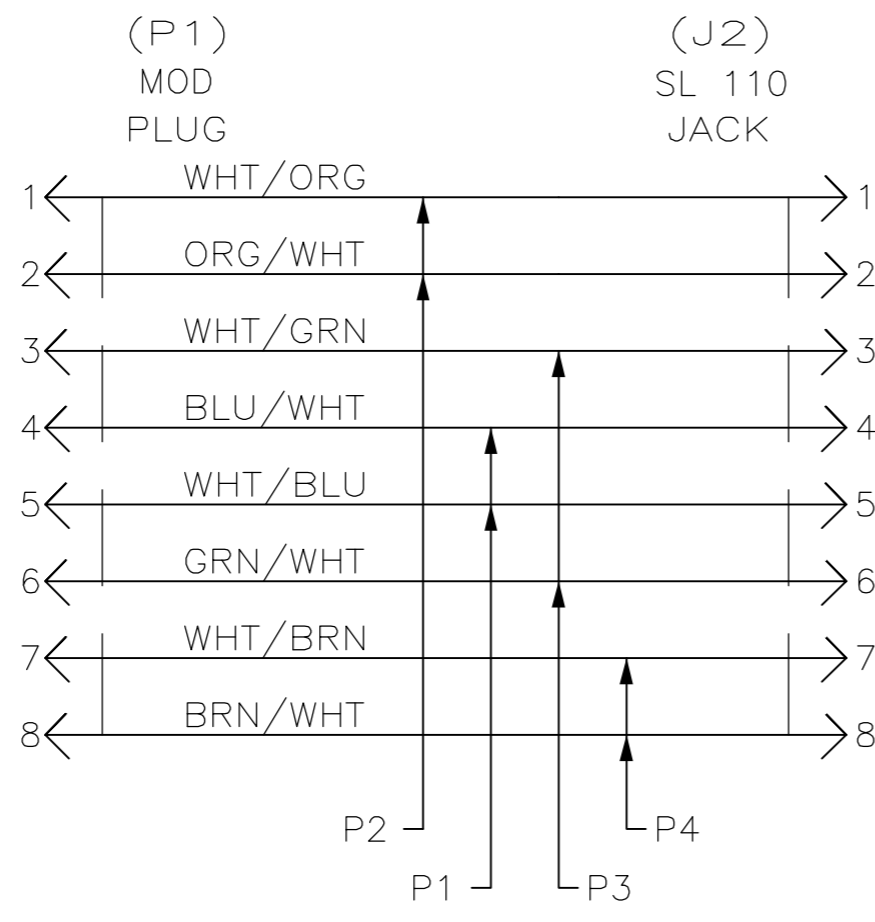


THIS DRAWING IS UNPUBLISHED. RELEASED FOR PUBLICATION  
 © COPYRIGHT BY TYCO ELECTRONICS CORPORATION. ALL RIGHTS RESERVED.

LOC	DIST	REVISIONS					
EH	00	P	LTR	DESCRIPTION	DATE	DWN	APVD
		L		REV: ECO-06-019788	20SEP06	GG	CC



1. ONE CABLE PACKAGED IN A CLEAR POLY BAG.
2. DIMENSIONS ARE MAXIMUM UNLESS OTHERWISE SPECIFIED.
3. CABLE: UNSHIELDED 24 AWG, 4 TWISTED PAIRS, SOLID CONDUCTORS, 100 OHMS. RISER RATED.
4. DESIGNATIONS IN PARENTHESES ( ) ARE FOR REFERENCE ONLY.



WIRING DIAGRAM  
T568B

75	900.00-906.00	219173-8
55	660.00-666.00	219173-7
6	72.00-76.00	219173-6
50	600.00-604.00	219173-4
40	480.00-484.00	219173-3
30	360.00-364.00	219173-2
20	240.00-244.00	219173-1
FEET, REF	DIM A	PART NO

THIS DRAWING IS A CONTROLLED DOCUMENT.		DWN M. BOLES 19OCT2001	Tyco Electronics Corporation Harrisburg, PA 17105-3608			
DIMENSIONS: mm [INCHES]		CHK B. ANTHONY 07MAY97				
TOLERANCES UNLESS OTHERWISE SPECIFIED:		APVD B. ANTHONY 07MAY97	NAME CABLE ASSY, MOD PLUG/SL 110 JK, GRAY, 568B, CAT 5E			
0 PLC ± 1 PLC ± 2 PLC ± 3 PLC ± 4 PLC ± ANGLES ± FINISH ±		APPLICATION SPEC	SIZE A2	CAGE CODE 00779	DRAWING NO C=219173	RESTRICTED TO
MATERIAL		WEIGHT	SCALE NTS		SHEET 1 of 1	REV L
		CUSTOMER DRAWING				