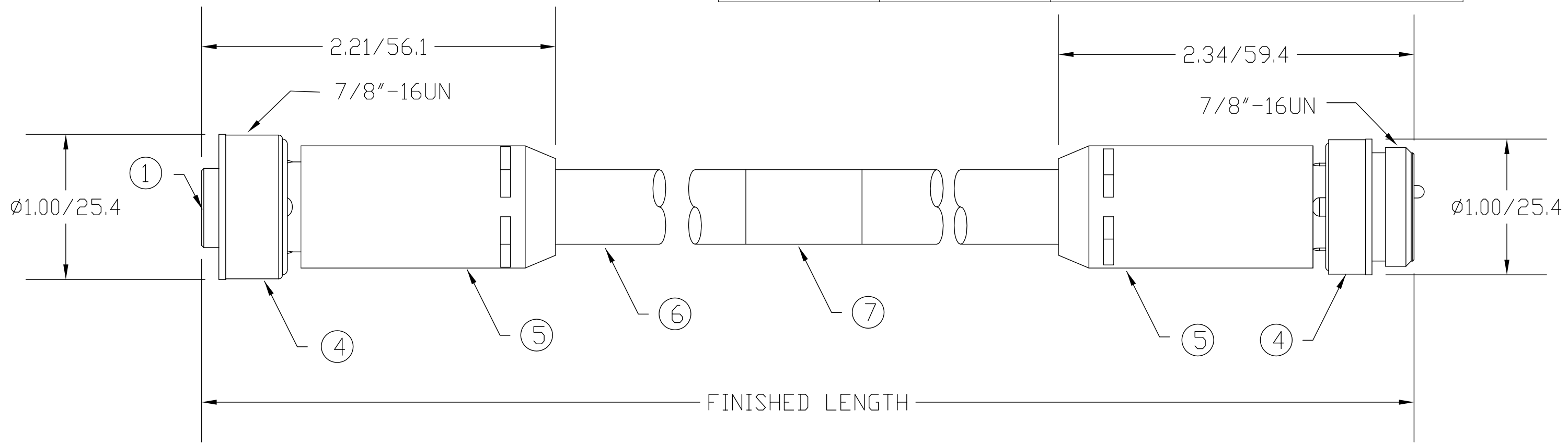
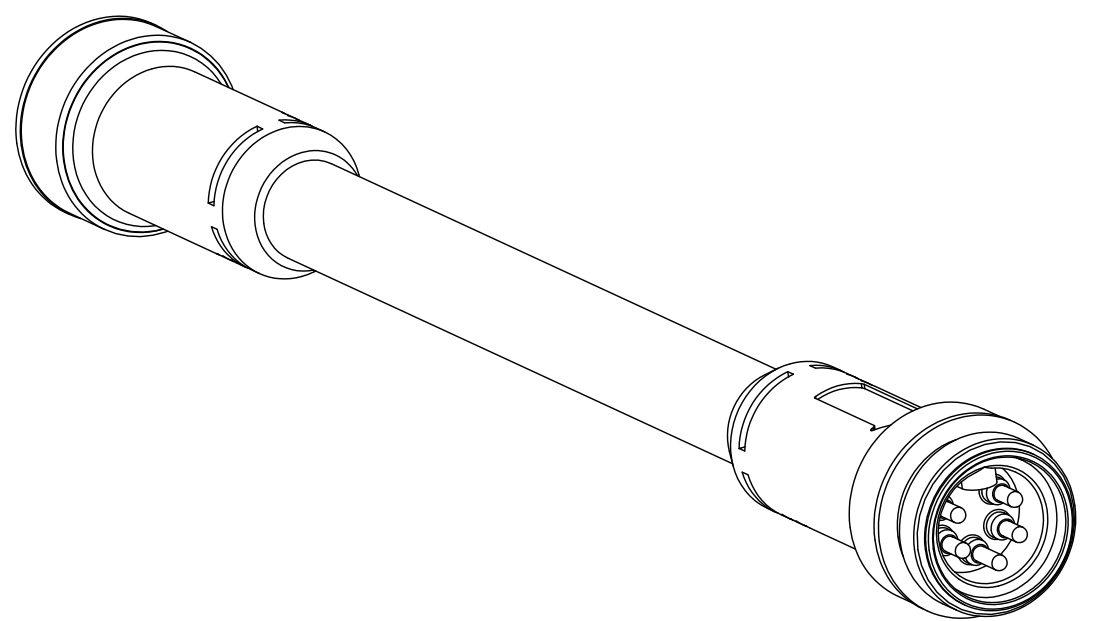
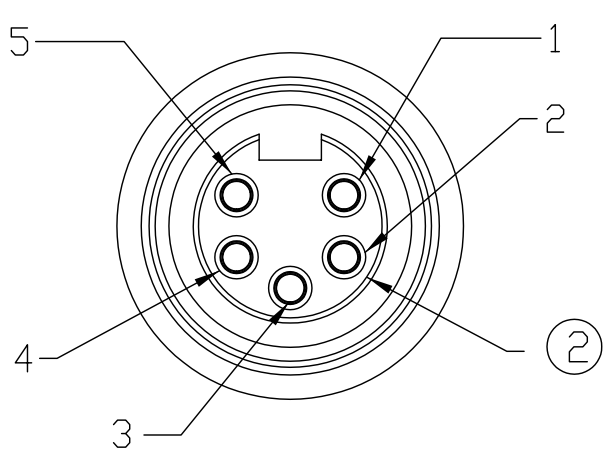


MATERIAL NUMBER	OLD PART NUMBER	FINISHED LENGTH
130025-0048	DN11A-M003	.98' +.75" -0 [3M +19.1 -0]
130025-0051	DN11A-M005	1.64' +1.75" -0 [5M +44.5 -0]
130025-0054	DN11A-M010	3.28' +2.19" -0 [10M +55.6 -0]
130025-0061	DN11A-M020	6.56' +3.50" -0 [20M +88.9 -0]
130025-0067	DN11A-M030	9.84' +3.50" -0 [30M +88.9 -0]
130025-0071	DN11A-M040	13.12' +6.50" -0 [40M +165.1 -0]
130025-0073	DN11A-M050	16.40' +6.50" -0 [50M +165.1 -0]
130025-0076	DN11A-M060	19.69' +6.50" -0 [60M +165.1 -0]

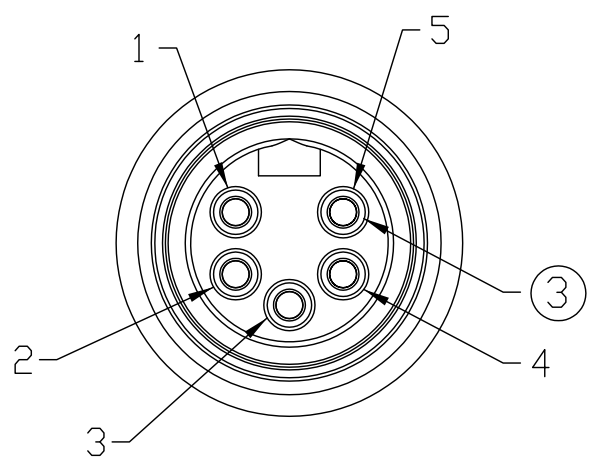
MATERIAL NUMBER	OLD PART NUMBER	FINISHED LENGTH (FT/MT)
130025-0079	DN11A-M070	22.97' +6.50" -0 [7.0M +165.1 -0]
130025-0084	DN11A-M080	26.25' +12.50" -0 [8.0M +317.5 -0]
130025-0083	DN11A-M090	29.53' +12.50" -0 [9.0M +317.5 -0]
130025-0085	DN11A-M100	32.81' +12.50" -0 [10.0M +317.5 -0]
130025-0092	DN11A-M150	49.21' +24.50" -0 [15.0M +622.3 -0]
130025-0097	DN11A-M200	65.62' +24.50" -0 [20.0M +622.3 -0]
130025-0103	DN11A-M250	82.02' +24.50" -0 [25.0M +622.3 -0]
130025-0108	DN11A-M300	98.43' +24.50" -0 [30.0M +622.3 -0]
130025-0122	DN11A-M500	164.04' +39.40" -0 [50.0M +1000 -0]



SCHEMATIC



FEMALE FACE VIEW



MALE FACE VIEW

- 1 - DRAIN
- 2 - V+
- 3 - V-
- 4 - CAN_H
- 5 - CAN_L

ITEM	COMPONENT	MATERIAL	FINISH
1	INSERT	PVC	GRAY
2	CONTACT SOCKET	COPPER ALLOY	GOLD OVER NICKEL
3	CONTACT PIN	COPPER ALLOY	GOLD OVER NICKEL
4	COUPLING NUT	ZINC DIE CAST	BLACK E-COATED
5	OVERMOLD	PVC	GRAY
6	CABLE-DEVICENET THICK CABLE 2/15 & 2/18 SHIELD PAIR	PVC	GRAY
7	LABEL	MYLAR	BLACK/YELLOW

VOLTAGE RATING	300 VAC/VDC
AMPERAGE RATING	8 AMPS
PROTECTION	IP67
OPERATING TEMPERATURE	-20°C TO 80°C
UL CERTIFICATIONS	UL RECOGNIZED, FILE NO. E152210
CSA CERTIFICATIONS	CSA CERTIFIED, FILE NO. LR6837

ADDED 50M CABLE LENGTH PIN EC NO: WNA2010-0410 DRWN: TWOLDEGE 1/4/10 CH'KD: --- APPR: JFMURPHY 2010/01/20	DESCRIPTION REV	QUALITY SYMBOL ▽=0 ◁=0	GENERAL TOLERANCES (UNLESS SPECIFIED) <table border="1"> <tr> <td></td> <td>mm</td> <td>INCH</td> </tr> <tr> <td>4 PLACES</td> <td>±----</td> <td>±----</td> </tr> <tr> <td>3 PLACES</td> <td>±----</td> <td>±----</td> </tr> <tr> <td>2 PLACES</td> <td>±----</td> <td>±.01</td> </tr> <tr> <td>1 PLACE</td> <td>±0.3</td> <td>±----</td> </tr> </table> ANGULAR ±----°		mm	INCH	4 PLACES	±----	±----	3 PLACES	±----	±----	2 PLACES	±----	±.01	1 PLACE	±0.3	±----	DIMENSION STYLE IN/MM DRAWN BY: BW DATE: 2009/03/13 CHECKED BY: KJ DATE: 2009/03/13 APPROVED BY: JFMURPHY DATE: 2010/01/20	SCALE: ---- DESIGN UNITS: ---- THIRD ANGLE PROJECTION
			mm	INCH																
		4 PLACES	±----	±----																
		3 PLACES	±----	±----																
2 PLACES	±----	±.01																		
1 PLACE	±0.3	±----																		
DRAFT WHERE APPLICABLE MUST REMAIN WITHIN DIMENSIONS			TITLE: MINI-CHANGE 5P M/MFE DEVICENET CORDSET	MOLEX INCORPORATED																
SEE CHART			MATERIAL NO.	DOCUMENT NO. SD-130025-001																
SIZE C			THIS DRAWING CONTAINS INFORMATION THAT IS PROPRIETARY TO MOLEX INCORPORATED AND SHOULD NOT BE USED WITHOUT WRITTEN PERMISSION																	