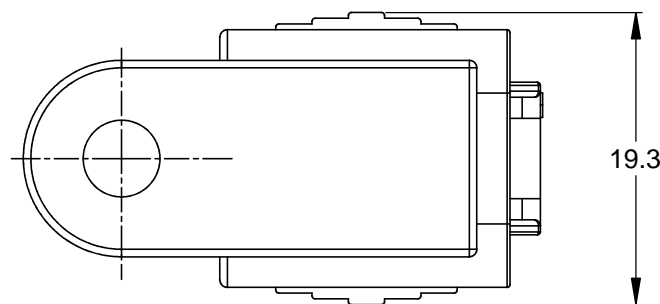
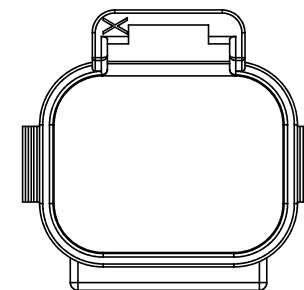
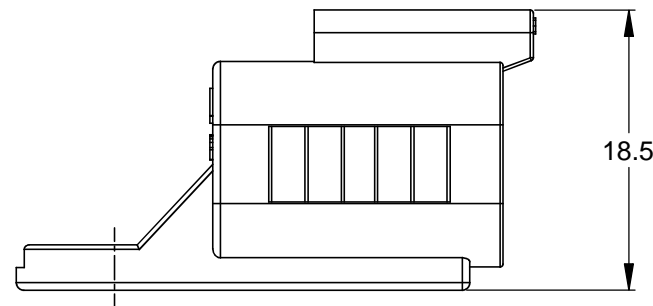
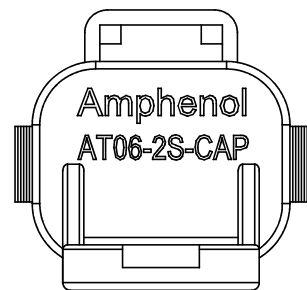
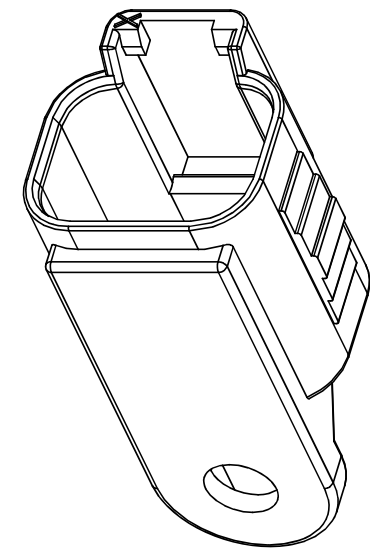
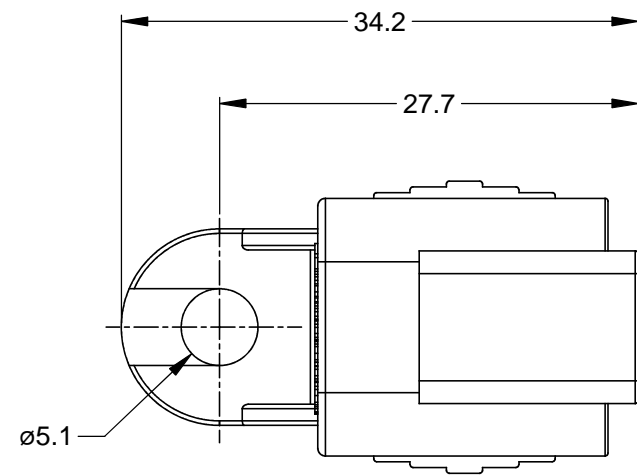


| REVISIONS | | | | | |
|-----------|-----|------------------------|---------|-----|------|
| REV | ECO | DESCRIPTION | DATE | BY | APPR |
| A1 | - | RELEASE NEW DWG FORMAT | 04APR14 | RFC | |



NOTES: UNLESS OTHERWISE SPECIFIED

1. MATERIAL: THERMOPLASTIC, COLOR: BLACK
2. RoHS COMPLIANT
3. MOISTURE RESISTANCE: IP67 MATED CONDITION
4. TEMPERATURE RANGE: -55C~125C
5. USE WITH CONNECTORS AT06-2S*
(* = MODIFICATIONS AND/OR COLORS)
6. ALL DIMENSIONS ARE FOR REFERENCE USE ONLY.

TITLE: PROTECTIVE CAP, 2 POSITION, AT-SERIES
 DWG NO.: AT06-2S-CAP
 REV: A1
 SH: 1
 OF: 1

| QUANTITY | PART NUMBER | DESCRIPTION | ITEM |
|----------|-------------|--|------|
| | | Amphenol | |
| | | Sine Systems - www.amphenol-sine.com 44724 Morley Drive Clinton Township, MI 48036 | |
| | | PROTECTIVE CAP, 2 POSITION, AT-SERIES | |
| | | SIZE: B C- DWG NO.: AT06-2S-CAP REVISION: A1 | |
| | | SCALE: NONE SHEET 1 OF 1 | |

UNLESS OTHERWISE SPECIFIED
 1) All dimensions are in metric(mm).
 2) Tolerances are as follows:
 1 PL DEC ±0.30
 2 PL DEC ±0.15
 3 PL DEC ±0.08
 Fractions ±1/64
 Angles ±1°
 3) Note reference = X

SIGNATURES
 DRAWN: JARRY/RENE
 CHECKED:
 ENGINEER:
 APPROVAL:
 DATE: 04APR14
 CUSTOMER:
 THIS DRAWING IS SUPPLIED FOR INFORMATION ONLY. DESIGN FEATURES, SPECIFICATIONS AND PERFORMANCE DATA SHOWN HEREON ARE THE PROPERTY OF THE AMPHENOL CORPORATION. NO RIGHTS OF REPRODUCTION ARE IMPLIED. ALL DIMENSIONS ARE SUBJECT TO NORMAL MANUFACTURING VARIATIONS.