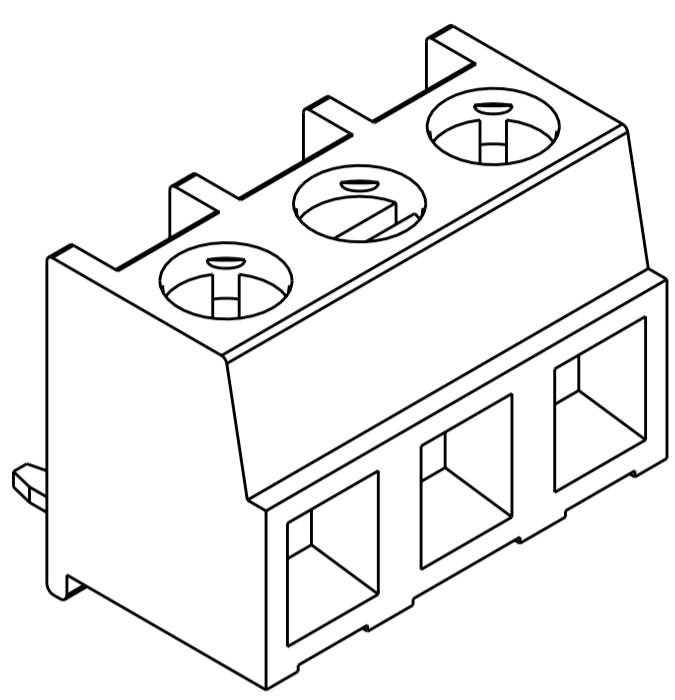
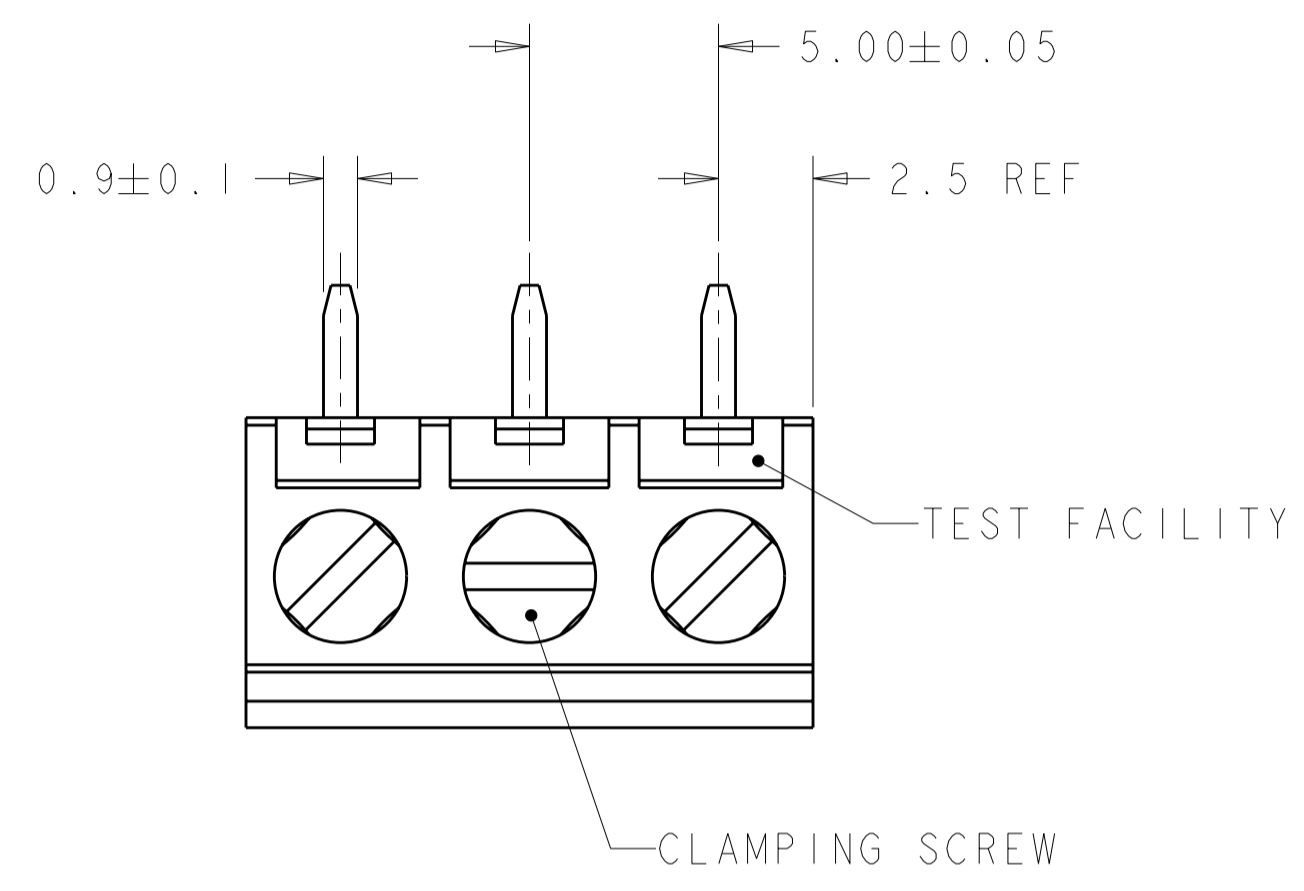


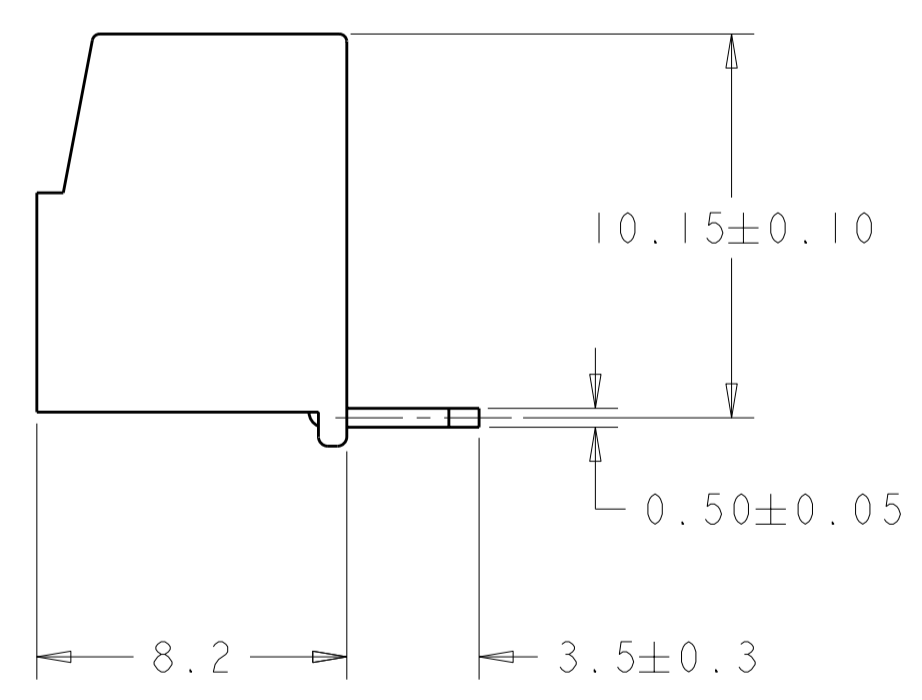
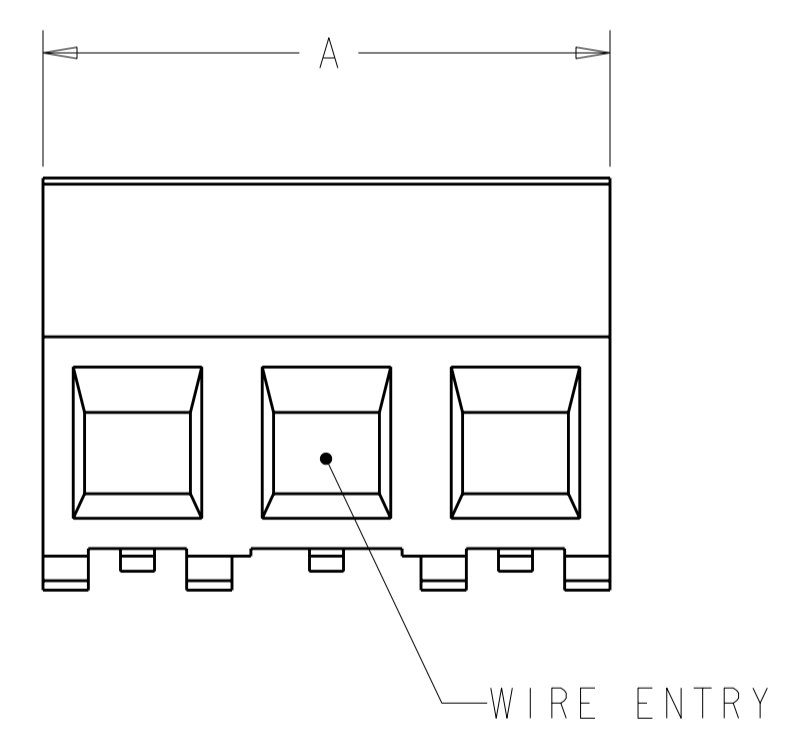
THIS DRAWING IS UNPUBLISHED. RELEASED FOR PUBLICATION 20
 © COPYRIGHT 20 BY TYCO ELECTRONICS CORPORATION. ALL RIGHTS RESERVED.

LOC		DIST		REVISIONS			
P	LTR	DESCRIPTION	DATE	DWN	APVD		
	0	RELEASED EC 063B-0612-04	08JUN2005	SW	CR		
	01	REVISED ECO-06-022416	26SEP2006	SW	CR		

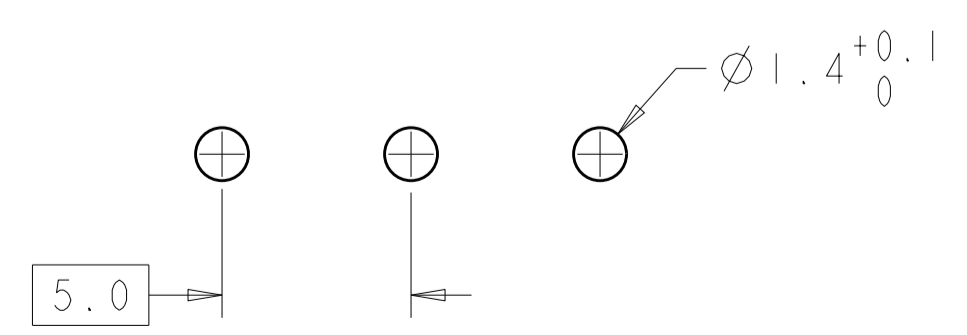


1776120-3 AS SHOWN

- 1 MATERIALS AND FINISH
 HOUSING: HIGH TEMPERATURE POLYAMIDE, UL 94V-0 RATED, COLOR: BLACK.
 CLAMP: BRASS, NICKEL PLATED.
 TERMINAL: BRASS, TIN PLATED.
 CLAMPING SCREW: M3, BRASS, NICKEL PLATED.
- 2 SUITABLE FOR 1,6-2,4mm PC BOARD THICKNESS.
- 3 END-TO-END STACKABLE W/INTERLOCK WITHOUT LOSS OF CENTERLINE SPACING.
- 4 WIRE SIZE RANGE: 15-17 AWG



40.0	8	1776120-8
35.0	7	1776120-7
30.0	6	1776120-6
25.0	5	1776120-5
20.0	4	1776120-4
15.0	3	1776120-3
10.0	2	1776120-2
A	NO OF POSN	PART NUMBER



RECOMMENDED PC BOARD LAYOUT

THIS DRAWING IS A CONTROLLED DOCUMENT FOR TYCO ELECTRONICS CORPORATION. IT IS SUBJECT TO CHANGE AND THE CONTROLLING ENGINEERING ORGANIZATION SHOULD BE CONTACTED FOR THE LATEST REVISION.		DWN S. WELDON 08JUN2005	Tyco Electronics Harrisburg, PA 17105-3608	
DIMENSIONS: mm		CHK C. RICHARD 08JUN2005	NAME TERMINAL BLOCK ASSEMBLY, PCB MOUNT, TOP ENTRY WIRE, STACKING W/INTERLOCK, 5.00mm PITCH	
TOLERANCES UNLESS OTHERWISE SPECIFIED: 0 PLC ±.3 1 PLC ±.3 2 PLC ±.25 3 PLC ±. 4 PLC ±. ANGLES ±2 FINISH		APVD C. RICHARD 08JUN2005		
MATERIAL		PRODUCT SPEC 108-20166	SIZE A200779	CAGE CODE C-1776120
RESTRICTED TO		APPLICATION SPEC 114-20079	DRAWING NO C-1776120	REV 01
CUSTOMER DRAWING		WEIGHT -	SCALE 5:1	SHEET 1 OF 1