

CASE FINISH	CURRENT (AMPS)	WORKING VOLTAGE				MAXIMUM DC RESISTANCE (OHMS)	MAXIMUM VOLTAGE DROP		MINIMUM CAPACITANCE (uF)	MIN. INSERTION LOSS PER MIL-STD-220 FULL LOAD, +25°C												
		-55°C TO +85°C		-55°C TO +125°C			DC	AC		14	30	50	75	100	150	300	500	1	10	100	1	10
		AC	DC	AC	DC					KHz	KHz	KHz	KHz	KHz	KHz	KHz	KHz	MHz	MHz	MHz	GHz	GHz
SOLDER	10	---	80	----	50	0.005	0.050	---	2.8	--	21	--	--	31	35	40	--	35	70	70	70	--

PART MARKING:

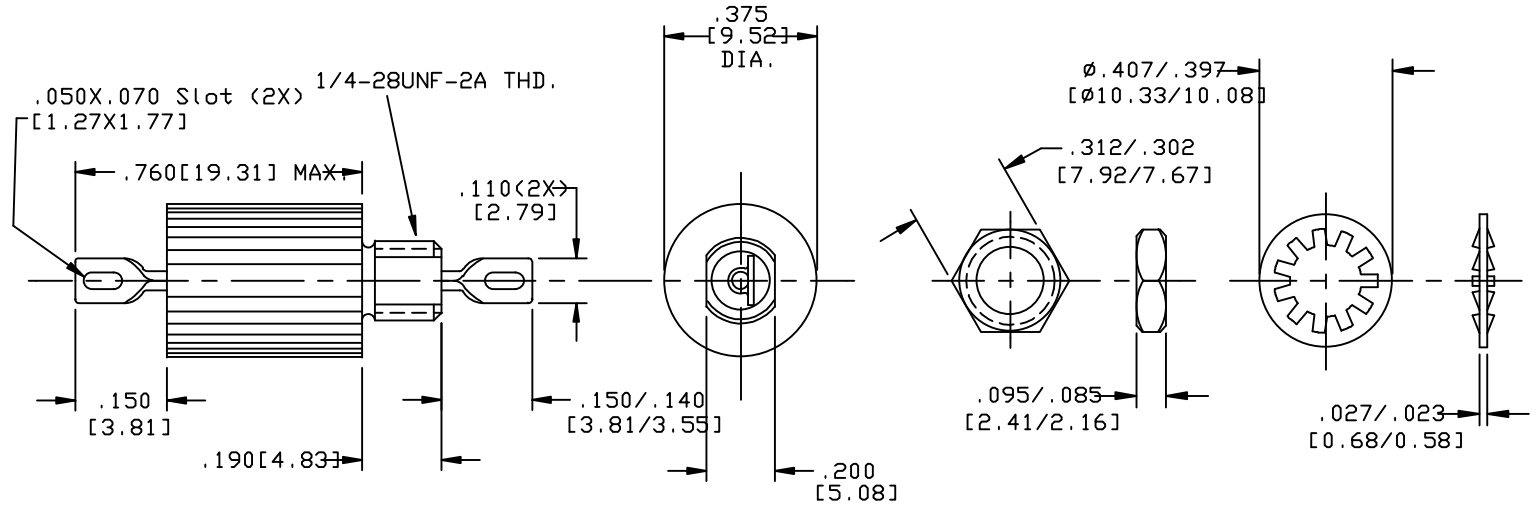
9001-100-1081
SCI DATE CODE

PACKAGE MARKING:

STANDARD

MARKING NOTES:

N/A



SCHMATIC



MTG. HARDWARE

NOTES:

1) MOUNTING TORQUE NOT TO EXCEED 7in-lbs.

CN. 171898																		04	REV	UNLESS OTHERWISE SPECIFIED DIMENSIONS ARE IN INCHES. [MILLIMETERS] DO NOT SCALE.	TOLERANCES UNLESS OTHERWISE SPECIFIED Fractions Dec. .xx± Dec. .xxx±010 Angles ±0° 30'	 SPECTRUM CONTROL INC. Erie, Fairview Pennsylvania Dwn KAUFFMAN Ckd 2-27-96 Description Pass EMI Filter 9001-100-1081	
CHANGE NOTICING																					CODE IDENT. NO. DLSP2		Apvd. Sheet 1 of 1

Quality Products From The Specialists In Electro-Magnetic Compatibility