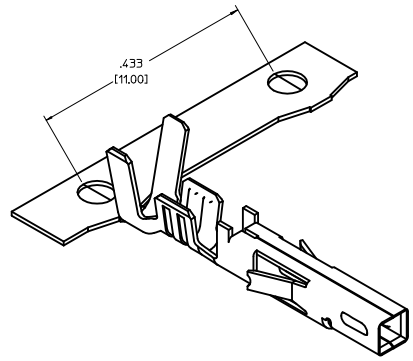
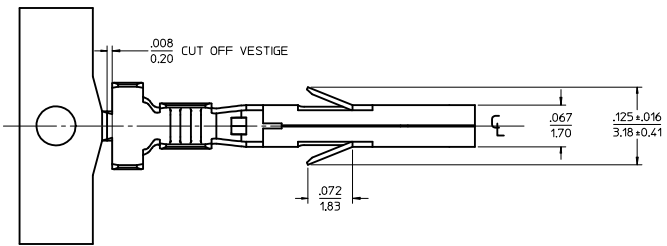


| ITEM NO. | FORM | WIRE GAGE | DIM. "B" | DIM. "C" | DIM. "D" | DIM. "E" | DIM. "F" | DIM. "G" |
|-----------|-------|-----------|--------------------------|--------------------------|----------------|--------------------------|--------------------------|----------------|
| 460182541 | CHAIN | 22-24 | .09±.012 (2.30±0.30) | .09±.016 (2.30±0.40) | .024 (0.60) | .07±.012 (1.80±0.30) | .045±.016 (1.65±0.40) | .016 (0.40) |
| 460181541 | CHAIN | 18-20 | .142±.012 (3.60±0.30) | .177±.016 (4.50±0.40) | .035 (0.90) | .075±.012 (1.90±0.30) | .09±.016 (2.30±0.40) | .020 (0.50) |
| 460183541 | CHAIN | 16 | .142±.012 (3.60±0.30) | .177±.016 (4.50±0.40) | .035 (0.90) | .09±.012 (2.30±0.30) | .106±.016 (2.70±0.40) | .024 (0.60) |

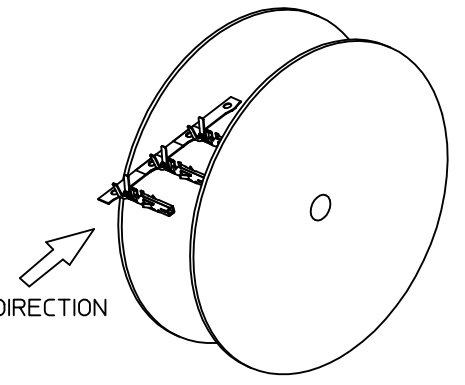
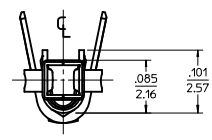
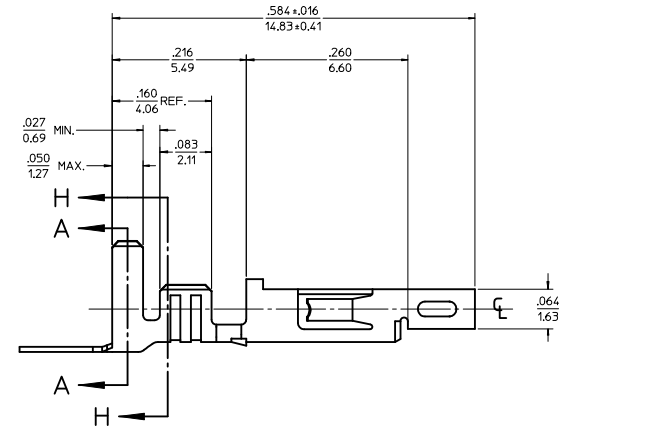


- NOTES:
- MATERIAL: COPPER ALLOY .0080/(0.203) THICK
 - FINISH:
 - .000030/.00076 MIN. SELECT GOLD IN CONTACT AREA AND .000100/.00254 MIN. SELECT MATTE TIN IN CRIMP AREA OVER .000050/.00127 MIN. NICKEL OVERALL.
 - PROPRIETARY MOLEX ADVANCED CONTACT SURFACE FINISH (CSF) IN CONTACT AREA.
 - PRODUCT SPECIFICATION: PS-46018-004
 - PACKAGING INFORMATION: PK-46018-001 FOR CHAIN TERMINALS
 - MATES WITH: MALE TERMINAL SERIES 46012 AND HEADERS 46011, 44068, 42404, 43810, 46014, 5569, 46015, 30070.
 - TERMINAL FOR USE WITH 5557, 42474, 44516, 43760, AND 30067 SERIES HOUSINGS.
 - WHEN TERMINALS ARE INSTALLED IN THE HOUSING, THE WIRES ARE TO BE DRESSED IN SUCH A MANNER TO ALLOW THE TERMINALS TO FLOAT FREELY IN THE POCKET.
 - THIS TERMINAL IS DESIGNED FOR SINGLE WIRE CRIMPING.
 - THIS PART CONFORMS TO CLASS B REQUIREMENTS OF COSMETIC SPEC PS-45499-002.

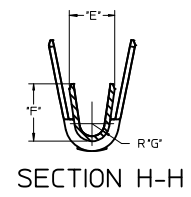
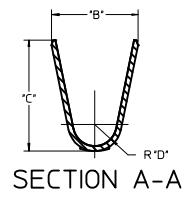


LEGEND

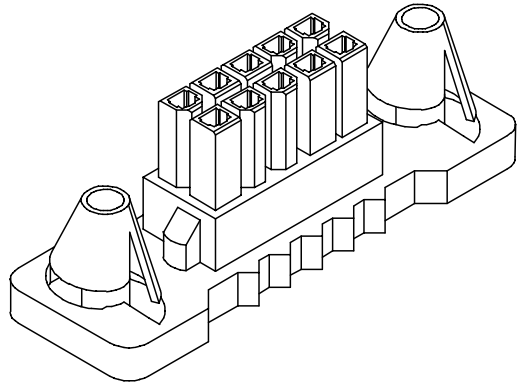
46018*54*
 BASE NUMBER FORM
 1 = CHAIN
 WIRE GAGE
 1 = 18-20
 2 = 22-24
 3 = 16



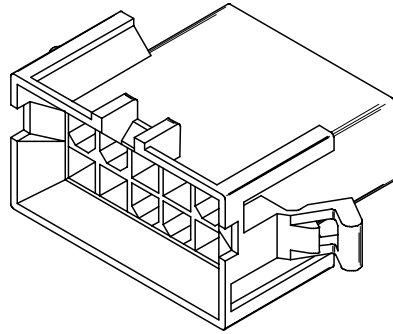
RoHS COMPLIANT



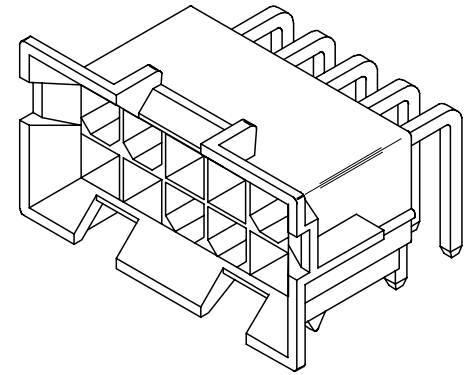
| | | | | | | | | | |
|---|---|--------------------------------------|---------------------------------------|-------|--|--------------------|--|----------------------|------------------------------|
| CHG PLTG. ADD CSF EC NO: UCP2011-3318 DRAWN: BANDERSON CHKD: BELL APPROV: SMITH | DESCRIPTION 2011/04/26 2011/04/26 2011/09/02 | QUALITY SYMBOLS ▽=0 ▽=0 ▽=0 | GENERAL TOLERANCES (UNLESS SPECIFIED) | | DIMENSION STYLE IN/MM | | SCALE 10:1 | DESIGN UNITS INCH | THIRD ANGLE PROJECTION |
| | | | mm | INCH | DRAWN BY TGREGOR1 | DATE 2005-08-17 | TITLE FEMALE CRIMP TERMINAL MINI-FIT PLUS HIGH MATING CYCLE (HMC) | | |
| | | | 4 PLACES ±--- | ±--- | 3 PLACES ±--- | ±.010 | CHECKED BY JCOMERC1 | DATE 2005-08-17 | MATERIAL NO. SD-46018-001 |
| | | | 2 PLACES ±0.25 | ±.014 | 1 PLACE ±0.36 | ±--- | APPROVED BY JCOMERC1 | DATE 2005-08-17 | |
| | | | ANGULAR ±1/2° | | DRAFT WHERE APPLICABLE MUST REMAIN WITHIN DIMENSIONS | | SEE CHART | | SHEET NO. 1 OF 1 |
| THIS DRAWING CONTAINS INFORMATION THAT IS PROPRIETARY TO MOLEX INCORPORATED AND SHOULD NOT BE USED WITHOUT WRITTEN PERMISSION | | | | | | | | | |



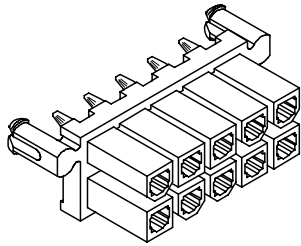
42474-****
BLIND MATING RECEPTACLE
(DRAWER CONNECTOR)



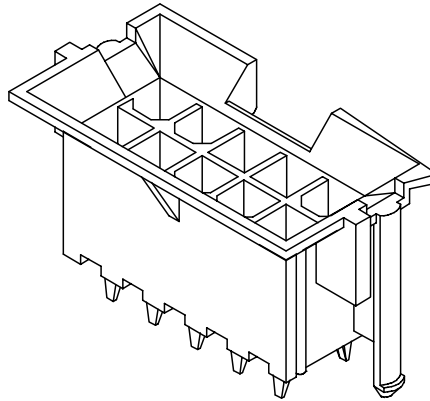
42475-****
BLIND MATE PLUG
W/ MTG. EARS



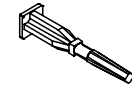
46100
BLIND MATING
RIGHT ANGLE HEADER
(BOARD-TO-BOARD)



46101
VERTICAL RECEPTACLE HEADER
(BOARD-TO-BOARD)



46099
BLIND MATING VERTICAL HEADER
(BOARD-TO-BOARD)



42232-***
POLARIZING KEY FOR
RECEPTACLES ONLY.

(WITH AND WITHOUT
DRAIN HOLES)

| | |
|---------------------|-------------|
| INITIAL RELEASE | DESCRIPTION |
| EC NO: UCP2006-2550 | |
| DRWN: TGREGORI | 2006/05/12 |
| CHKD: JCOMERC I | 2006/05/13 |
| APPR: JCOMERC I | 2006/05/15 |
| A | REV |

| |
|-----------------|
| QUALITY SYMBOLS |
| ▽=0 |
| ▽=0 |

| GENERAL TOLERANCES (UNLESS SPECIFIED) | | |
|---------------------------------------|-------|-------|
| | mm | INCH |
| 4 PLACES | ± --- | ± --- |
| 3 PLACES | ± --- | ± --- |
| 2 PLACES | ± --- | ± --- |
| 1 PLACE | ± --- | ± --- |
| ANGULAR ± ---° | | |

DRAFT WHERE APPLICABLE
MUST REMAIN
WITHIN DIMENSIONS

| DIMENSION STYLE | |
|-----------------|------------|
| IN/MM | |
| DRAWN BY | DATE |
| TGREGORI | 2006/04/27 |
| CHECKED BY | DATE |
| JCOMERC I | |
| APPROVED BY | DATE |
| JCOMERC I | |
| MATERIAL NO. | |
| SEE ABOVE | |
| SIZE | |
| A | |

| | | |
|---|--------------|------------------------|
| SCALE | DESIGN UNITS | THIRD ANGLE PROJECTION |
| | METRIC | |
| TITLE | | |
| MINI-FIT PLUS HIGH CYCLE CONNECTOR FAMILY (INDEX DRAWING) | | |
| MOLEX INCORPORATED | | |
| DOCUMENT NO. | SHEET NO. | |
| SDIN-46018-001 | 1 OF 1 | |
| THIS DRAWING CONTAINS INFORMATION THAT IS PROPRIETARY TO MOLEX INCORPORATED AND SHOULD NOT BE USED WITHOUT WRITTEN PERMISSION | | |