

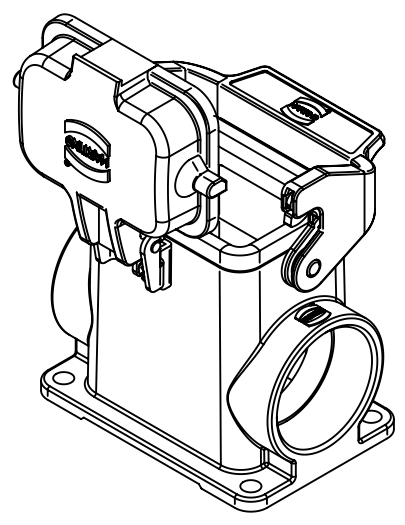
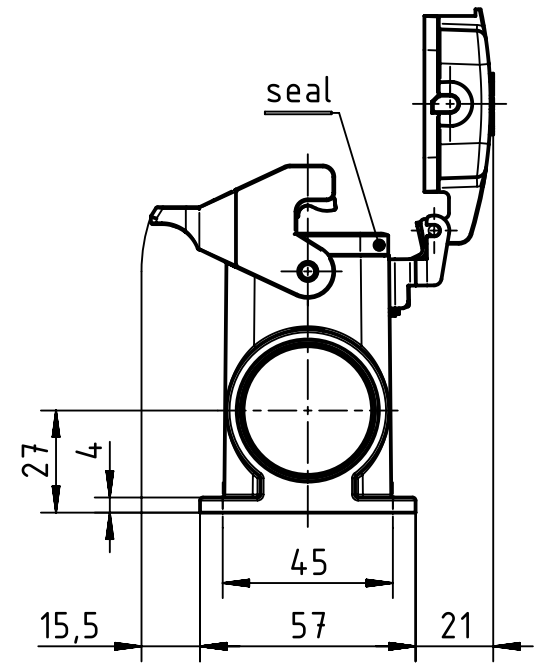
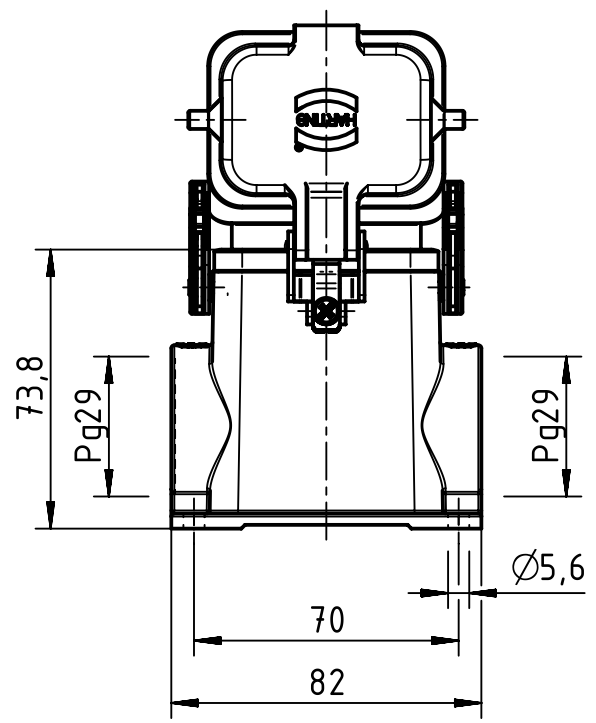
1 2 3 4 5 6


A

B

C

D



	All Dimensions in mm Original Size DIN A4		Scale 1:2	Free size tol.		Ref.	
	All rights reserved Department EL PD - DE		Created by GRUBES	Inspected by TIEMANNA	Standardisation SCHMIDTM	Date 2014-07-02	State Final Release
HARTING Electric GmbH & Co. KG D-32339 Espelkamp		Title Han 6 B-asg2-LB-K-29				Doc-Key / ECM-Nr. 100207227/UGD/004/A 500000076187	
		Type TB	Number 09 30 006 0298			Rev. A	Page 1/1