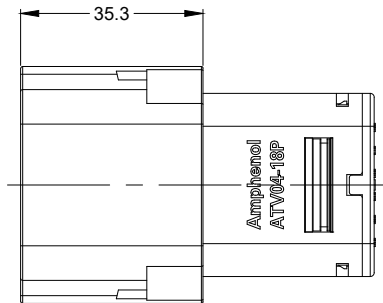
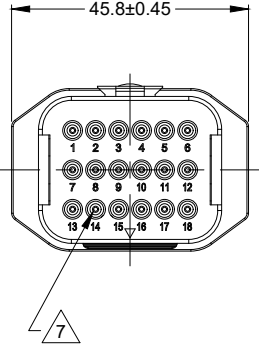
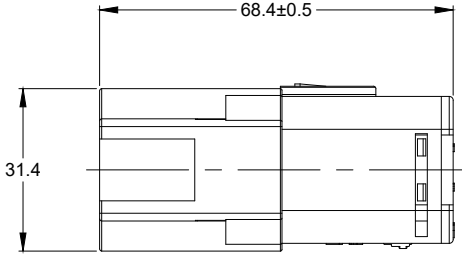
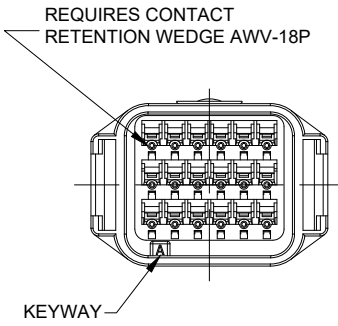
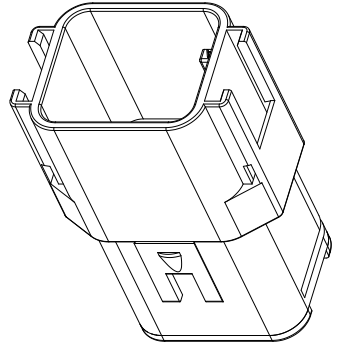
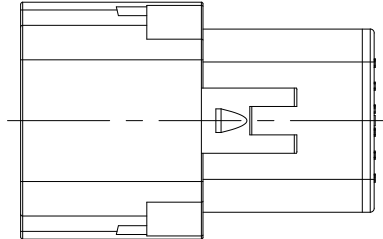


REVISIONS					
REV	ECO	DESCRIPTION	DATE	BY	APPR
A1	-	RELEASE DRAWING	03MAY18	RIMON	TOMMY



NOTES: UNLESS OTHERWISE SPECIFIED

- SEE SHEET 2 FOR KEY ARRANGEMENTS AND COLORS.
- MATERIAL:  
HOUSING: THERMOPLASTIC  
SEAL: SILICONE RUBBER, COLOR: YELLOW
- MODIFICATIONS: IN LINE  
REDUCED DIAMETER WIRE SEAL
- SPECIFICATIONS:  
4.1 CURRENT RATING: 13 AMPS  
4.2 OPERATING TEMPERATURE: -55°C TO +125°C.  
4.3 DIELECTRIC WITHSTANDING VOLTAGE: LESS THAN 2 MILLIAMPS CURRENT LEAKAGE @ 1500 VOLTS AC.  
4.4 INSULATION RESISTANCE: 1000 MEGOHMS MIN @ 25°C.  
4.5 MOISTURE RESISTANCE: IP67 ( MATED CONDITION )  
4.6 MATING CYCLE DURABILITY: 100 CYCLES  
4.7 RoHS COMPLIANT
- MATING PART: ATV06-18SX\* PLUG  
( X = A,B,C,D KEYS ; \* = MODIFICATIONS AND COLORS)
- ALL DIMENSIONS ARE FOR REFERENCE USE ONLY.

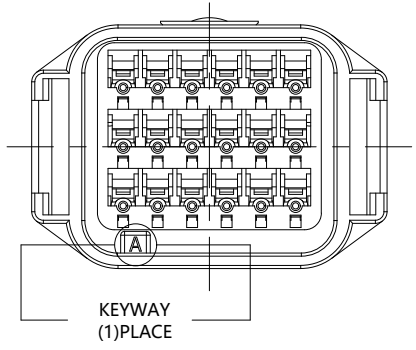
CONTACT SIZE AND REAR SEAL WIRE RANGE:

CONTACT SIZE	MIN. INSUL O.D.	MAX. INSUL O.D.	TYPICAL WIRE RANGE
16	1.12 mm (.088 in)	2.31 mm (.090 in)	16 - 22 AWG

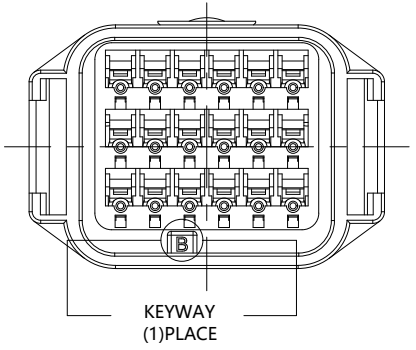
SEE SHEET 2		DESCRIPTION		ITEM
PART NUMBER		RECEPTACLE, IN LINE, 18 PIN, ATV SERIES REDUCED DIAMETER WIRE SEAL		
QUANTITY		MATERIALS LIST		
UNLESS OTHERWISE SPECIFIED 1) All dimensions are in metric (mm). 2) Tolerances are as follows: 1 PL DEC ±0.30   Fractions ±1/64 2 PL DEC ±0.15   Angles ±1° 3 PL DEC ±0.08		<p><b>Amphenol</b></p> <p>Sine Systems - www.amphenol-sine.com 44724 Morley Drive Clinton Township, MI 48036</p>		
SIGNATURES DATE DRAWN: RIMON,MA 03MAY18 CHECKED: ORION,LI 03MAY18 ENGINEER: APPROVAL: TOMMY,XIE 03MAY18		<p>RECEIPT, IN LINE, 18 PIN, ATV SERIES REDUCED DIAMETER WIRE SEAL</p>		
MATERIAL SPECIFICATIONS:		<p>CUSTOMER:</p> <p>THIS DRAWING IS SUPPLIED FOR INFORMATION ONLY. DESIGN FEATURES, SPECIFICATIONS AND PERFORMANCE DATA SHOWN HEREON ARE THE PROPERTY OF THE AMPHENOL CORPORATION. NO RIGHTS OF REPRODUCTION ARE IMPLIED. ALL DIMENSIONS ARE SUBJECT TO NORMAL MANUFACTURING VARIATIONS.</p>		
PROCESS SPECIFICATIONS:		SIZE	TYPE	REVISION
NEXT ASSY:		B	C-	A1
		DWG NO:	REV	
		ATV04-18PX-RR01	A1	
		SCALE: NONE	SHEET 1 OF 2	

TITLE: RECEPTACLE IN LINE, 18 PIN, ATV SERIES REDUCED DIAMETER WIRE SEAL  
DWG NO: ATV04-18PX-RR01  
REV: A1  
SH: 1  
OF: 2

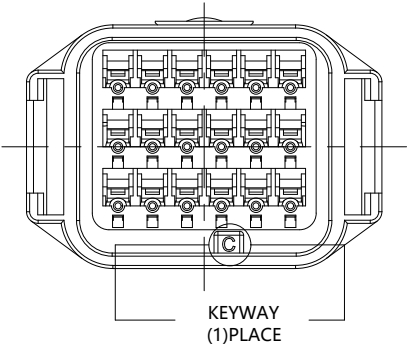
REVISIONS					
REV	ECO	DESCRIPTION	DATE	BY	APPR
A1	-	RELEASE DRAWING	03MAY18	RIMON	TOMMY



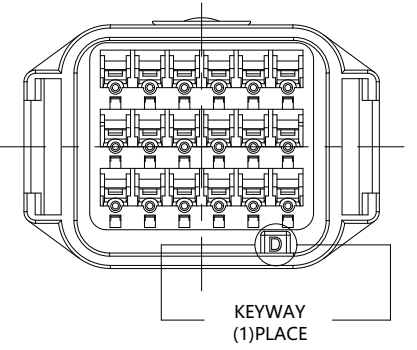
KEY-A CONFIGURATION	
COLOR	PART NUMBER
GREY	ATV04-18PA-RR01



KEY-B CONFIGURATION	
COLOR	PART NUMBER
BLACK	ATV04-18PB-RR01



KEY-C CONFIGURATION	
COLOR	PART NUMBER
GREEN	ATV04-18PC-RR01



KEY-D CONFIGURATION	
COLOR	PART NUMBER
BROWN	ATV04-18PD-RR01

TITLE: RECEPTACLE IN LINE, 18 PIN, ATV SERIES, REDUCED DIAMETER WIRE SEAL  
DWG NO.: ATV04-18PX-RR01  
REV: A1  
SH: 2  
OF: 2

SEE SHEET 2		DESCRIPTION		ITEM																																					
PART NUMBER																																									
<table border="1"> <thead> <tr> <th>QUANTITY</th> <th colspan="4">MATERIALS LIST</th> </tr> </thead> <tbody> <tr> <td rowspan="4"> <small>UNLESS OTHERWISE SPECIFIED</small>            1) All dimensions are in metric(mm).            2) Tolerances are as follows:            1 PL DEC ±0.30    Fractions ±1/64            2 PL DEC ±0.15    Angles ±1°            3 PL DEC ±0.08            3) Note reference =  </td> <td colspan="2">SIGNATURES</td> <td colspan="2">DATE</td> </tr> <tr> <td colspan="2">DRAWN: RIMON,MA</td> <td colspan="2">03MAY18</td> </tr> <tr> <td colspan="2">CHECKED: ORION,LI</td> <td colspan="2">03MAY18</td> </tr> <tr> <td colspan="2">APPROVAL: TOMMY,XIE</td> <td colspan="2">03MAY18</td> </tr> <tr> <td>MATERIAL SPECIFICATIONS:</td> <td colspan="4">CUSTOMER:</td> </tr> <tr> <td>PROCESS SPECIFICATIONS:</td> <td colspan="4"> <small>THIS DRAWING IS SUPPLIED FOR INFORMATION ONLY. DESIGN FEATURES, SPECIFICATIONS AND PERFORMANCE DATA SHOWN HEREON ARE THE PROPERTY OF THE AMPHENOL CORPORATION. NO RIGHTS OF REPRODUCTION ARE IMPLIED. ALL DIMENSIONS ARE SUBJECT TO NORMAL MANUFACTURING VARIATIONS.</small> </td> </tr> <tr> <td>NEXT ASSY:</td> <td colspan="4"></td> </tr> </tbody> </table>					QUANTITY	MATERIALS LIST				<small>UNLESS OTHERWISE SPECIFIED</small> 1) All dimensions are in metric(mm). 2) Tolerances are as follows: 1 PL DEC ±0.30    Fractions ±1/64 2 PL DEC ±0.15    Angles ±1° 3 PL DEC ±0.08 3) Note reference =	SIGNATURES		DATE		DRAWN: RIMON,MA		03MAY18		CHECKED: ORION,LI		03MAY18		APPROVAL: TOMMY,XIE		03MAY18		MATERIAL SPECIFICATIONS:	CUSTOMER:				PROCESS SPECIFICATIONS:	<small>THIS DRAWING IS SUPPLIED FOR INFORMATION ONLY. DESIGN FEATURES, SPECIFICATIONS AND PERFORMANCE DATA SHOWN HEREON ARE THE PROPERTY OF THE AMPHENOL CORPORATION. NO RIGHTS OF REPRODUCTION ARE IMPLIED. ALL DIMENSIONS ARE SUBJECT TO NORMAL MANUFACTURING VARIATIONS.</small>				NEXT ASSY:				
QUANTITY	MATERIALS LIST																																								
<small>UNLESS OTHERWISE SPECIFIED</small> 1) All dimensions are in metric(mm). 2) Tolerances are as follows: 1 PL DEC ±0.30    Fractions ±1/64 2 PL DEC ±0.15    Angles ±1° 3 PL DEC ±0.08 3) Note reference =	SIGNATURES		DATE																																						
	DRAWN: RIMON,MA		03MAY18																																						
	CHECKED: ORION,LI		03MAY18																																						
	APPROVAL: TOMMY,XIE		03MAY18																																						
MATERIAL SPECIFICATIONS:	CUSTOMER:																																								
PROCESS SPECIFICATIONS:	<small>THIS DRAWING IS SUPPLIED FOR INFORMATION ONLY. DESIGN FEATURES, SPECIFICATIONS AND PERFORMANCE DATA SHOWN HEREON ARE THE PROPERTY OF THE AMPHENOL CORPORATION. NO RIGHTS OF REPRODUCTION ARE IMPLIED. ALL DIMENSIONS ARE SUBJECT TO NORMAL MANUFACTURING VARIATIONS.</small>																																								
NEXT ASSY:																																									
<h1>Amphenol</h1> <p>Sine Systems - www.amphenol-sine.com 44724 Morley Drive Clinton Township, MI 48036</p>																																									
<b>RECEPTACLE, IN LINE, 18 PIN, ATV SERIES REDUCED DIAMETER WIRE SEAL</b>																																									
SIZE	TYPE	DWG NO.	REVISION																																						
B C-		ATV04-18PX-RR01	A1																																						
SCALE: NONE		SHEET 2 OF 2																																							