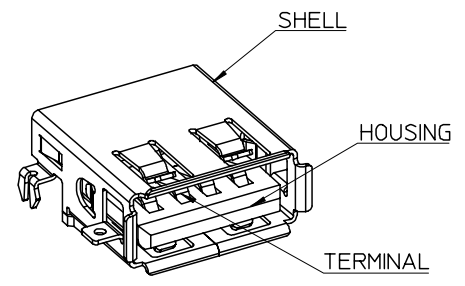
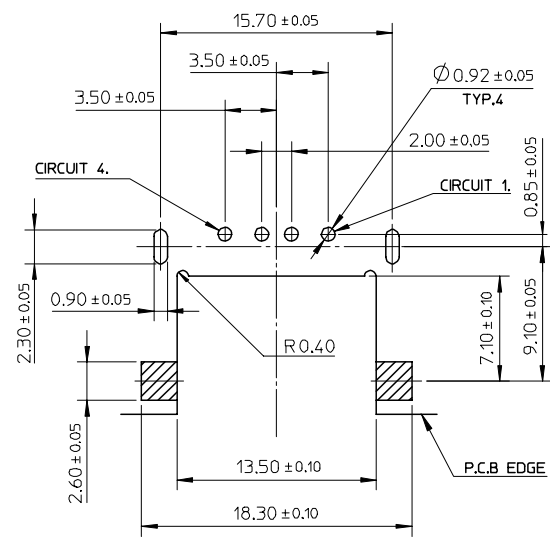
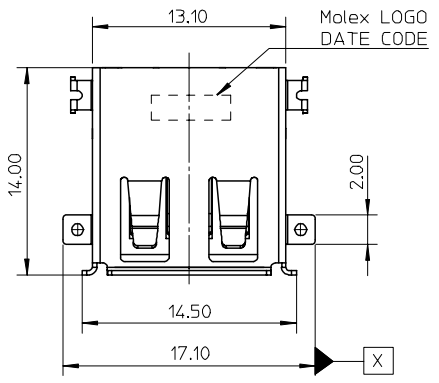


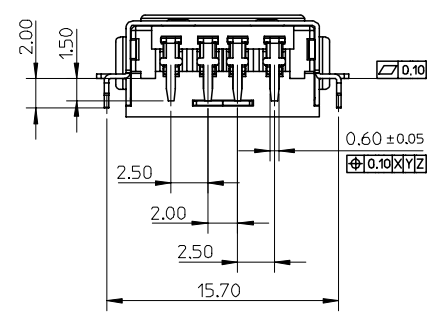
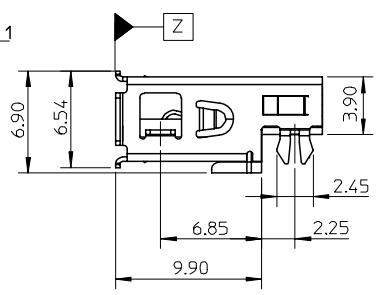
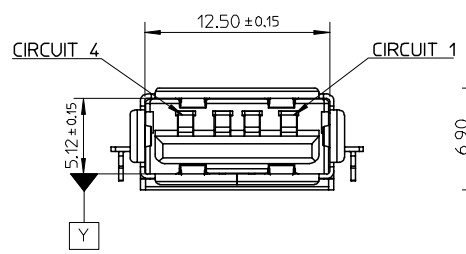
10 9 8 7 6 5 4 3 2 1

F
E
D
C
B
A

F
E
D
C
B
A



NOTES:
 1. MATERIAL:
 HOUSING: NYLON PA9T, FIBER GLASS FILLED, UL94V-0. COLOR:BLACK.
 TERMINAL: PHOSPHOR BRONZE.
 METAL SHELL: BRASS.
 2. FINISH:
 TERMINAL:
 SELECTIVE GOLD(Au) IN CONTACT AREA, THICKNESS=30 MICROINCH MINIMUM;
 SELECTIVE TIN IN SOLDER TAIL AREA, THICKNESS=120 MICROINCH MINIMUM;
 NICKEL(Ni) OVERALL.
 METAL SHELL:
 NICKEL(Ni) OVERALL, THICKNESS=40 MICROINCH MINIMUM,
 UNDER PLATED: COPPER(Cu) OVERALL.
 3. PRODUCT SPECIFICATION REFER TO PS-48258-001.
 4. PACKAGE SPECIFICATION REFER TO PK-48258-001.
 5. TEST SUMMARY REFER TO TS-48258-001
 6. COPLANARITY TO BE 0.10 mm MAX.
 7. LEAD FREE AND RoHS COMPLIANT PRODUCT.
 8. DATE CODE:
 X X X X X
 DAY
 WEEK
 YEAR



NEW RELEASE EC NO: SH2006-0556 DRW:RTSAI CHKD: APPR:WWSCHANG 2006/07/26 2006/07/26 2006/07/27	QUALITY SYMBOLS ▽=0 ▽=0	GENERAL TOLERANCES (UNLESS SPECIFIED)		DIMENSION STYLE	SCALE	DESIGN UNITS	THIRD ANGLE PROJECTION	
				MM ONLY	3:1	METRIC		
		4 PLACES	± ---	± ---	DRAWN BY	DATE	TITLE	
		3 PLACES	± ---	± ---	TOM	2006/04/13	USB A SINK REVERSE TYPE (LEAD-FREE VERSION)	
2 PLACES	± 0.25	± ---	CHECKED BY	DATE	MOLEX MOLEX INCORPORATED			
1 PLACE	± 0.25	± ---	ROGER TSAI	2006/04/13	DOCUMENT NO.		SHEET NO.	
ANGULAR ± 3 °		APPROVED BY		DATE	SD-48258-001		1 OF 1	
DRAFT WHERE APPLICABLE MUST REMAIN WITHIN DIMENSIONS		MATERIAL NO.		48258-0001				
		SIZE		THIS DRAWING CONTAINS INFORMATION THAT IS PROPRIETARY TO MOLEX INCORPORATED AND SHOULD NOT BE USED WITHOUT WRITTEN PERMISSION				

9 8 7 6 5 4 3 2 1