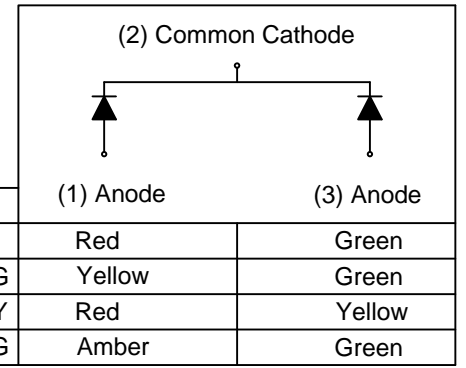
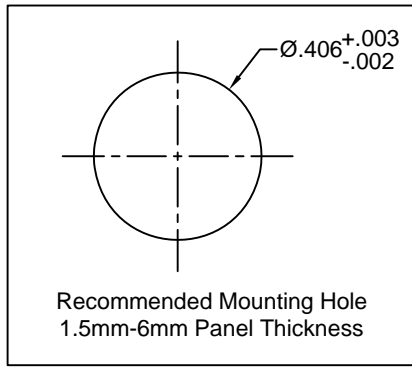
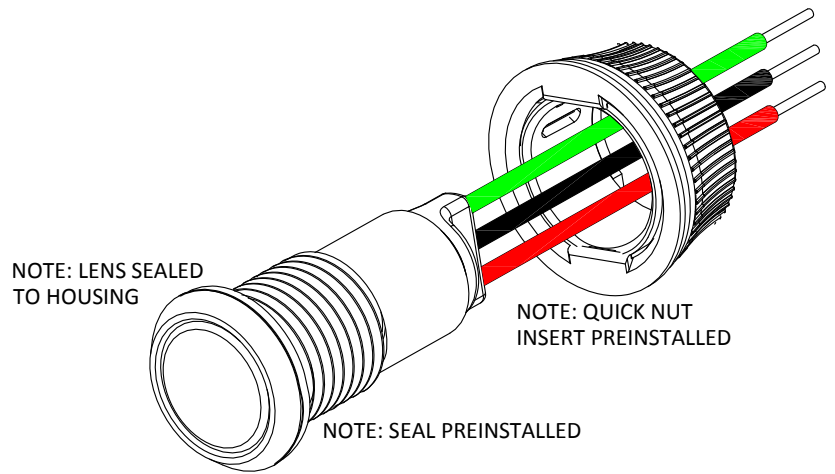
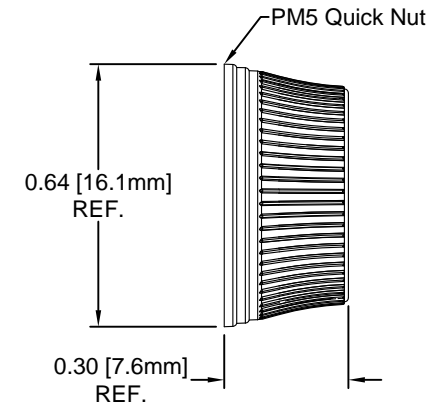
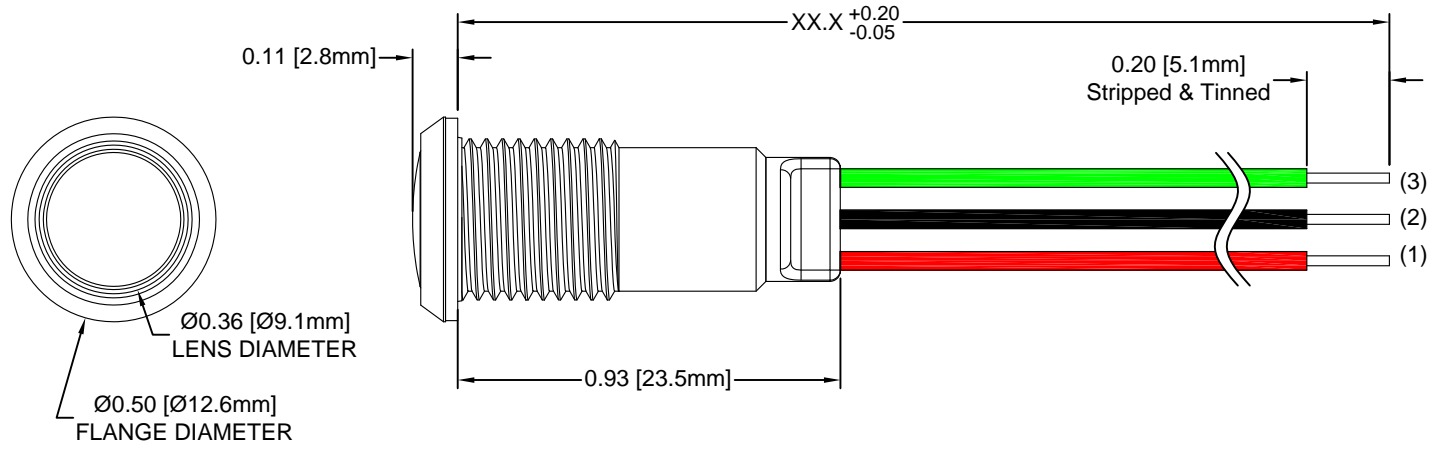


REV.	DESCRIPTION	DATE	APPROVED
A	Engineering Release	04/29/14	J. C.
B	Added 5BC-3-A/G Spec on Page 2	08/22/16	J. C.



EXAMPLE:  
**PM53-KNBCW6.5**  
 └── Wire Length in 0.5" Increments  
 └── LED Colors  
 └── Series

NOTES:  
 1. ROHS COMPLIANT  
 2. MOUNTING HARDWARE SHIPPED NON-ASSEMBLED


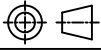
STANDARD TOLERANCE (UNLESS OTHERWISE SPECIFIED)		 4 THOMAS, IRVINE, CA. 92618 TEL: (949) 951-8808 FAX: (949) 951-3974	
DECIMALS	ANGULAR		
.X ± .1	X° ± 1°	<b>TITLE:</b> Quick-Mount Panel Mount Indicator w/ Wires, 3-Lead Bi-Color <b>PART NO:</b> PM53-KNXXWXX.X <b>REVISION:</b> B	
.XX ± .02			
.XXX ± .010			
DESIGNED: <b>M. Doan</b>	DATE: <b>04/21/14</b>	<b>CAGE CODE :</b> 32559 <b>SHEET #</b> 1 OF 2	
CHECKED: <b>B. Oliver</b>	DATE: <b>04/21/14</b>	CAD GENERATED DOCUMENT. DO NOT MEASURE DRAWING.	

REV.	DESCRIPTION	DATE	APPROVED
	SEE SHEET #1		

Assembly Part Number	LED P/N	Peak Wave Length $\lambda_p$ (nm)	Emitted Color	Electro-Optical Data @ 20mA		Viewing Angle
				Typ Vf (VDC)	Assembly Iv (mcd)	
				TYP	TYP	
PM53-KNBCWXX.X	5BC-3	625	RED	2.0	12	120
		568	GREEN	2.1	12	
PM53-KNYGWXX.X	5BC-3-Y/G	590	YELLOW	2.0	11	120
		568	GREEN	2.1	12	
PM53-KNRYWXX.X	5BC-3-R/Y	625	RED	2.0	12	120
		590	YELLOW	2.0	11	
PM53-KNAGWXX.X	5BC-3-A/G	605	AMBER	2.0	11	120
		568	GREEN	2.1	11	

### ABSOLUTE MAXIMUM RATINGS (Ta = 25°C)

MAXIMUM REVERSE VOLTAGE \_\_\_\_\_ 5V  
 MAXIMUM POWER DISSIPATION \_\_\_\_\_ 150 mW  
 OPERATING TEMPERATURE RANGE \_\_\_\_\_ -30°C ~ 85°C  
 STORAGE TEMPERATURE \_\_\_\_\_ -40°C ~ 85°C

STANDARD TOLERANCE (UNLESS OTHERWISE SPECIFIED)		 4 THOMAS, IRVINE, CA. 92618 TEL: (949) 951-8808 FAX: (949) 951-3974		
DECIMALS	ANGULAR			
		<b>TITLE:</b> Quick-Mount Panel Mount Indicator w/ Wires, 3-Lead Bi-Color		
		DESIGNED: <b>M. Doan</b>	DATE: <b>04/21/14</b>	<b>PART NO:</b> PM53-KNXXWXX.X
CHECKED: <b>B. Oliver</b>		DATE: <b>04/21/14</b>	<b>CAGE CODE : 32559</b>	<b>SHEET # 2 OF 2</b>
CAD GENERATED DOCUMENT. DO NOT MEASURE DRAWING.				