

- NOTES:
- MATERIAL:
    - CONNECTOR:
      - HOUSING - HIGH TEMPERATURE THERMOPLASTIC GLASS FILLED, UL 94V-0, BLACK
      - TERMINALS - COPPER ALLOY
    - SHELL
      - NICKEL SILVER, C770, THICKNESS: 0.250/0.254
  - FINISH:
    - CONNECTOR
      - OPTION 1
        - CONTACT AREA - 0.38μm MIN GOLD OVER 2.54 μm NICKEL
        - SOLDER FOOT AREA - 2.54-5.09μm TIN OVER 1.27 μm NICKEL
      - OPTION 2
        - CONTACT AREA - 0.76μm MIN GOLD OVER 2.54 μm NICKEL
        - SOLDER FOOT AREA - 2.54-5.09μm TIN OVER 1.27 μm NICKEL
  - TERMINAL SOLDER FEET TO BE COPLANAR WITHIN 0.10 MEASURED FROM DATUM E
  - DATE CODE: 4 DIGIT (3 DIGIT DAY, 1 DIGIT YEAR) ON CONNECTOR ONLY
  - CIRCUIT IDENTIFIER: SEE APPROPRIATE INDUSTRY SPECIFICATION FOR LOCATION OF PIN 1
  - TO BE USED WITH THE FOLLOWING CABLE SERIES:
    - 79575/74563/79576/74573/79536/74562/74569/74586
  - PACKAGED PER PACKAGING SPECIFICATION: PK-75783-001
  - CONFORMS TO PRODUCT SPECIFICATION: PS-75783-001
  - PROCESS PER APPLICATION SPECIFICATION: AS-75783-001
  - THIS PART CONFORMS TO CLASS C REQUIREMENTS OF COSMETIC SPEC PS-45499-002

36 CIRCUIT  
RETENTION FIT  
SHELL OPTION SHOWN

iPass™ IS A TRADEMARK OF MOLEX

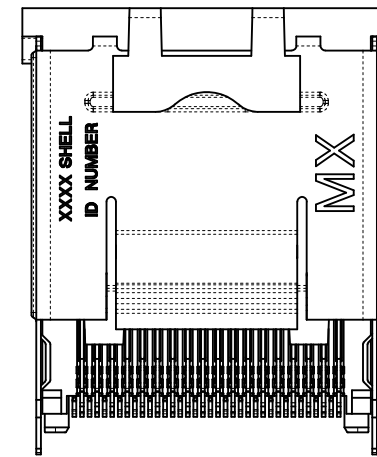
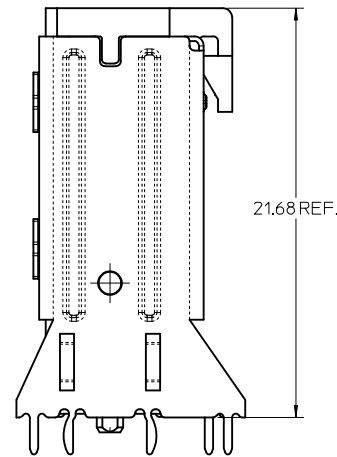
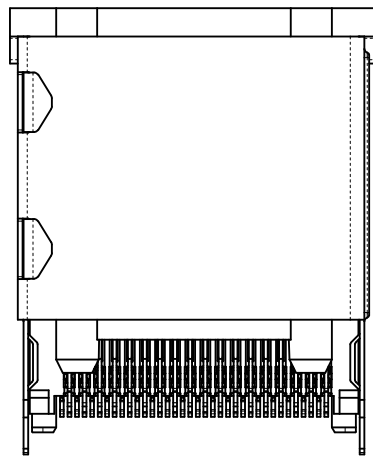
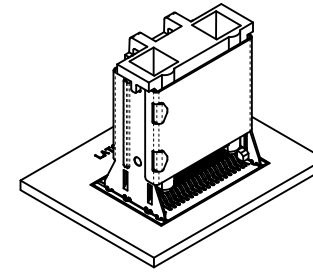
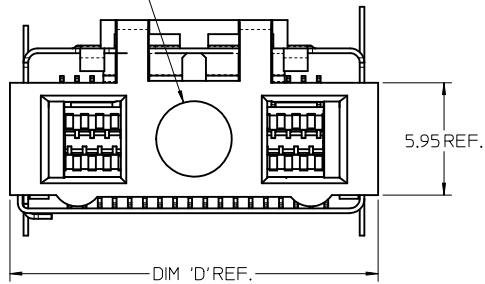
| CIRCUIT SIZE | DIM 'A' | DIM 'B' | DIM 'C' |
|--------------|---------|---------|---------|
| 26           | 12.00   | 13.80   | 11.80   |
| 36           | 16.00   | 17.80   | 15.80   |
| 50           | 21.60   | 23.40   | 21.40   |
| 68           | 28.80   | 30.60   | 28.60   |

|   |                 |                                       |                 |                              |   |              |                        |
|---|-----------------|---------------------------------------|-----------------|------------------------------|---|--------------|------------------------|
| S1-SMT VIEW ADDED<br>EC NO: UCP2012-2460<br>DRAWN: DRWINKLANG 2012/02/03<br>CHKD: CHKKD:<br>APPR: MBANAKIS 2012/02/07 | QUALITY SYMBOLS | GENERAL TOLERANCES (UNLESS SPECIFIED) | DIMENSION STYLE |                              | SCALE   | DESIGN UNITS | THIRD ANGLE PROJECTION |
|   | ▽=0<br>▽=0      |                                       | mm              | INCH                         | 5:1   | METRIC       |                        |
| D4  | DESCRIPTION     | DRAWN BY<br>KLANG                     | DATE            |                              | I-PASS VERT CONNECTOR<br>INTERNAL ASSY W/SHELL<br>0.8MM PITCH I/O |              |                        |
|   |                 |                                       | 2012/02/07      | 02/09/05                     |   |              |                        |
| REV   | MATERIAL NO.    | APPROVED BY<br>MBANAKIS               | DATE            |                              | MOLEX INCORPORATED  |              |                        |
|   |                 |                                       | 2012/02/07      | 02/02/05                     |   |              |                        |
| DRAFT WHERE APPLICABLE<br>MUST REMAIN<br>WITHIN DIMENSIONS  |                 | SEE CHART                             |                 | DOCUMENT NO.<br>SD-75784-001 | SHEET NO.<br>1 OF 12  |              |                        |

|   |  |                  |  |   |                      |  |  |
|---|--|------------------|--|---|----------------------|--|--|
| DRAWN BY<br>KLANG   |  | DATE<br>02/09/05 |  | I-PASS VERT CONNECTOR<br>INTERNAL ASSY W/SHELL<br>0.8MM PITCH I/O |                      |  |  |
| CHECKED BY<br>JSWENSON  |  | DATE<br>02/09/05 |  |   |                      |  |  |
| APPROVED BY<br>MBANAKIS   |  | DATE<br>02/02/05 |  | MOLEX INCORPORATED  |                      |  |  |
| MATERIAL NO.  |  | DATE             |  |   |                      |  |  |
| DRAFT WHERE APPLICABLE<br>MUST REMAIN<br>WITHIN DIMENSIONS  |  | SEE CHART        |  | DOCUMENT NO.<br>SD-75784-001                                      | SHEET NO.<br>1 OF 12 |  |  |
| THIS DRAWING CONTAINS INFORMATION THAT IS PROPRIETARY TO MOLEX INCORPORATED AND SHOULD NOT BE USED WITHOUT WRITTEN PERMISSION |  |                  |  |   |                      |  |  |

# ASSEMBLY WITH PRE-POSITIONING DEVICE

PICK & PLACE NOZZLE AREA



36 CIRCUIT RETENTION FIT SHOWN

NOTES:

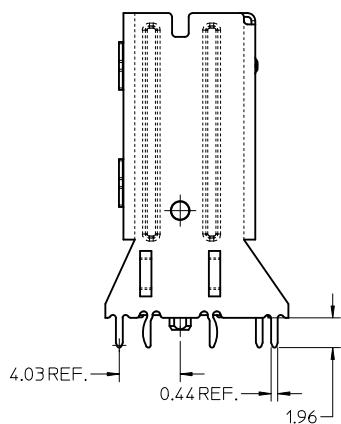
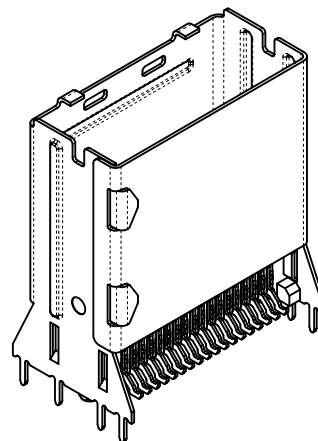
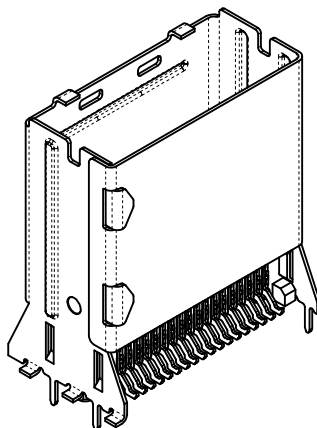
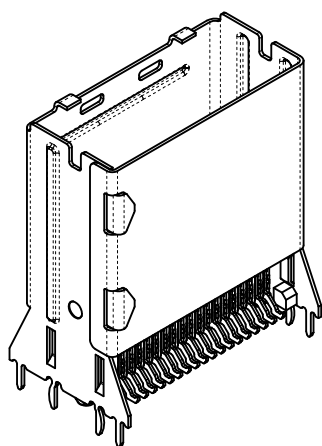
- PICK AND PLACE LOCATION DEFINED ON APPLICATION SPECIFICATION AS-75783-001
- PACKAGING CONSISTS OF CONNECTOR AND SHELL WITH A PRE-POSITIONING PICK AND PLACE DEVICE THAT ARE PACKAGED IN 'TAPE AND REEL' FOR ROBOTIC PICK AND PLACE.

iPass™ IS A TRADEMARK OF MOLEX

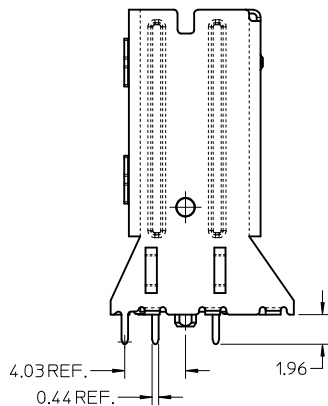
| CIRCUIT SIZE | DIM 'D' |
|--------------|---------|
| 26           | 15.50   |
| 36           | 19.50   |
| 50           | 25.10   |
| 68           | 32.30   |

|   |                        |   |                                       |                          |                            |  |                        |                        |  |
|---|------------------------|---|---------------------------------------|--------------------------|----------------------------|--|------------------------|------------------------|--|
| SEE SHEET 1<br>EC NO: UCP2012-2460<br>DRW: KLANG 2012/02/03<br>CHKD: MBANAK IS<br>APPR: MBANAK IS 2012/02/07                  | DESCRIPTION<br>REV: D4 | QUALITY SYMBOLS<br>▽=0<br>▽=0   | GENERAL TOLERANCES (UNLESS SPECIFIED) |                          | DIMENSION STYLE<br>MM ONLY | SCALE<br>5:1   | DESIGN UNITS<br>METRIC | THIRD ANGLE PROJECTION |  |
|   |                        | 4 PLACES ± --- ± ---<br>3 PLACES ± --- ± ---<br>2 PLACES ± 0.13 ± ---<br>1 PLACE ± 0.25 ± --- |                                       | DRAWN BY<br>KLANG        | DATE<br>02/09/05           | TITLE<br>I-PASS VERT CONNECTOR<br>INTERNAL ASSY W/SHELL<br>0.8MM PITCH I/O |                        |                        |  |
|   |                        | ANGULAR ± 1/2°  |                                       | CHECKED BY<br>JSWENSON   | DATE<br>02/09/05           | MOLEX MOLEX INCORPORATED   |                        |                        |  |
|   |                        | DRAFT WHERE APPLICABLE MUST REMAIN WITHIN DIMENSIONS  |                                       | APPROVED BY<br>MBANAK IS | DATE<br>02/02/05           |  |                        |                        |  |
| THIS DRAWING CONTAINS INFORMATION THAT IS PROPRIETARY TO MOLEX INCORPORATED AND SHOULD NOT BE USED WITHOUT WRITTEN PERMISSION |                        |   |                                       |                          |                            |  |                        |                        |  |

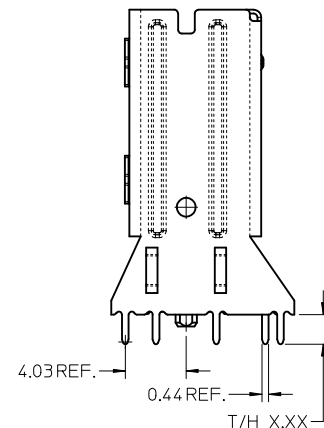
# SHELL PCB INTERFACE



RETENTION-FIT  
SHELL OPTION



SMT SHELL OPTION



THRU-HOLE SHELL OPTION  
SEE TABLE FOR LENGTH  
(X.XX DENOTES LENGTH)

RECOMMENDED PCB THICKNESS  
FOR SPECIFIED TAIL LENGTH

| TAIL LENGTH | PCB THICKNESS |
|-------------|---------------|
| 1.96        | 1.57 (.062)   |
| 2.79        | 2.36 (.093)   |
| 3.18        | 2.79 (.110)   |
| 3.56        | 3.18 (.125)   |

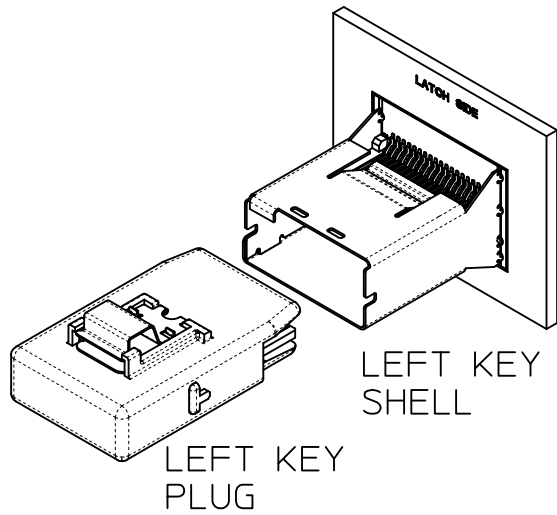
**NOTE:**

RETENTION FIT DENOTES TAILS THAT OFFER RETENTION  
TO PCB DURING REFLOW PROCESS  
SMT DENOTES SURFACE MOUNT TERMINATION  
T/H X.XX DENOTES THRU-HOLE TAIL OF LENGTH X.XX

|  |                 |  |  |  |   |                        |
|--|-----------------|--|--|--|---|------------------------|
| SEE SHEET 1<br>EC NO: UCP2012-2460<br>DRW:KLANG 2012/02/03<br>CHKD:<br>APPR:MBANAKIS 2012/02/07<br>DESCRIPTION | QUALITY SYMBOLS | GENERAL TOLERANCES (UNLESS SPECIFIED)                      | DIMENSION STYLE  | SCALE  | DESIGN UNITS  | THIRD ANGLE PROJECTION |
|  | ▽=0<br>▽=0      |  | mm      INCH<br>4 PLACES ± --- ± ---<br>3 PLACES ± --- ± ---<br>2 PLACES ± 0.13 ± ---<br>1 PLACE ± 0.25 ± ---<br>ANGULAR ± 1/2°        | MM ONLY  | 4:1   |                        |
|  | REV: D4         | DRAFT WHERE APPLICABLE<br>MUST REMAIN<br>WITHIN DIMENSIONS | DRAWN BY: KLANG<br>CHECKED BY: JSWENSON<br>APPROVED BY: MBANAKIS<br>MATERIAL NO.<br>DATE: 02/09/05<br>DATE: 02/09/05<br>DATE: 02/02/05 | TITLE  | I-PASS VERT CONNECTOR<br>INTERNAL ASSY W/SHELL<br>0.8MM PITCH I/O |                        |
|  |                 |  | SEE CHART  | MOLEX INCORPORATED<br>DOCUMENT NO. SD-75784-001<br>SHEET NO. 3 OF 12 |   |                        |

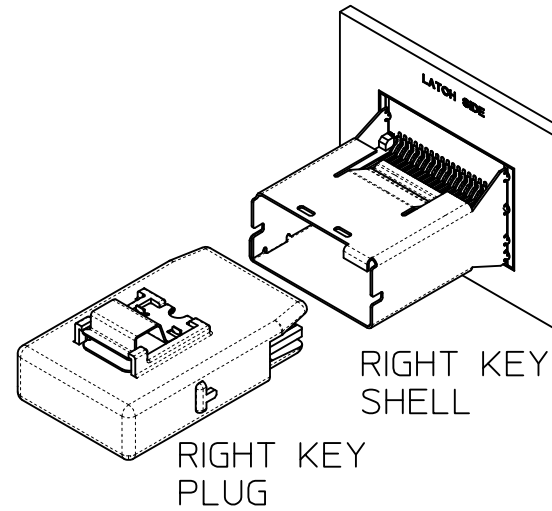
THIS DRAWING CONTAINS INFORMATION THAT IS PROPRIETARY TO MOLEX INCORPORATED AND SHOULD NOT BE USED WITHOUT WRITTEN PERMISSION

# KEYING OPTIONS



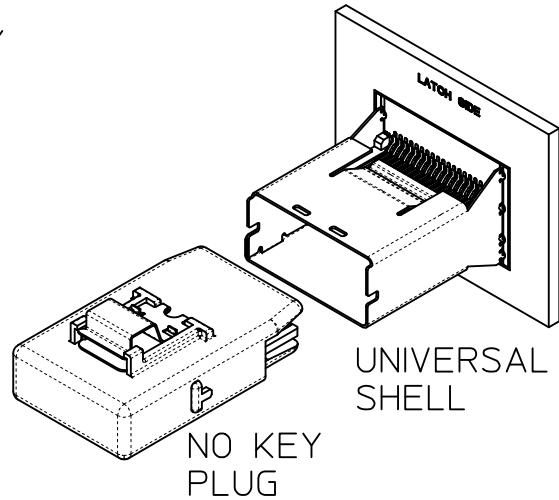
LEFT KEY SHELL

LEFT KEY PLUG



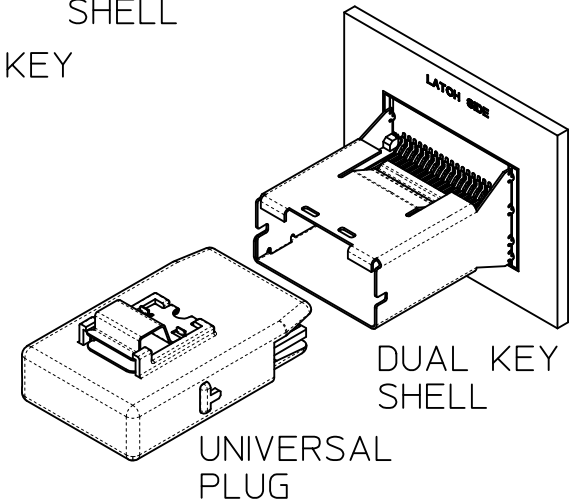
RIGHT KEY SHELL

RIGHT KEY PLUG



UNIVERSAL SHELL

NO KEY PLUG



DUAL KEY SHELL

UNIVERSAL PLUG

|                | UNIVERSAL SHELL | LEFT KEY SHELL | RIGHT KEY SHELL | DUAL KEY SHELL |
|----------------|-----------------|----------------|-----------------|----------------|
| NO KEY PLUG    | YES             | NO             | NO              | NO             |
| LEFT KEY PLUG  | YES             | YES            | NO              | NO             |
| RIGHT KEY PLUG | YES             | NO             | YES             | NO             |
| UNIVERSAL PLUG | YES             | YES            | YES             | YES            |

iPass™ IS A TRADEMARK OF MOLEX

| SEE SHEET 1<br>EC NO: UCP2012-2460<br>DRINKLANG 2012/02/03<br>CHKD: MBANAKIS<br>APPR: MBANAKIS 2012/02/07 | QUALITY SYMBOLS           | GENERAL TOLERANCES (UNLESS SPECIFIED)<br><table border="1"> <tr> <th></th> <th>mm</th> <th>INCH</th> </tr> <tr> <td>4 PLACES</td> <td>± .005</td> <td>± .0004</td> </tr> <tr> <td>3 PLACES</td> <td>± .005</td> <td>± .0004</td> </tr> <tr> <td>2 PLACES</td> <td>± 0.13</td> <td>± .005</td> </tr> <tr> <td>1 PLACE</td> <td>± 0.25</td> <td>± .010</td> </tr> </table> ANGULAR ±1/2° |                      | mm   | INCH | 4 PLACES | ± .005 | ± .0004 | 3 PLACES | ± .005 | ± .0004 | 2 PLACES | ± 0.13 | ± .005 | 1 PLACE | ± 0.25 | ± .010 | DIMENSION STYLE<br><b>MM ONLY</b> | SCALE<br><b>2:1</b> | DESIGN UNITS<br><b>METRIC</b> | THIRD ANGLE PROJECTION |
|---|---------------------------|--|----------------------|------|------|----------|--------|---------|----------|--------|---------|----------|--------|--------|---------|--------|--------|-----------------------------------|---------------------|-------------------------------|------------------------|
|   |                           |  | mm                   | INCH |      |          |        |         |          |        |         |          |        |        |         |        |        |                                   |                     |                               |                        |
|   | 4 PLACES                  | ± .005   | ± .0004              |      |      |          |        |         |          |        |         |          |        |        |         |        |        |                                   |                     |                               |                        |
|   | 3 PLACES                  | ± .005   | ± .0004              |      |      |          |        |         |          |        |         |          |        |        |         |        |        |                                   |                     |                               |                        |
| 2 PLACES  | ± 0.13                    | ± .005   |                      |      |      |          |        |         |          |        |         |          |        |        |         |        |        |                                   |                     |                               |                        |
| 1 PLACE   | ± 0.25                    | ± .010   |                      |      |      |          |        |         |          |        |         |          |        |        |         |        |        |                                   |                     |                               |                        |
| DRAWN BY<br>KLANG   | DATE<br>02/09/05          | TITLE<br><b>I-PASS VERT CONNECTOR<br/>                 INTERNAL ASSY W/SHELL<br/>                 0.8MM PITCH I/O</b>  |                      |      |      |          |        |         |          |        |         |          |        |        |         |        |        |                                   |                     |                               |                        |
| CHECKED BY<br>JSWENSON  | DATE<br>02/09/05          | APPROVED BY<br>MBANAKIS  |                      |      |      |          |        |         |          |        |         |          |        |        |         |        |        |                                   |                     |                               |                        |
| DATE<br>02/02/05  | MATERIAL NO.<br>SEE CHART | DOCUMENT NO.<br>SD-75784-001   | SHEET NO.<br>4 OF 12 |      |      |          |        |         |          |        |         |          |        |        |         |        |        |                                   |                     |                               |                        |

DRAFT WHERE APPLICABLE  
MUST REMAIN  
WITHIN DIMENSIONS

THIS DRAWING CONTAINS INFORMATION THAT IS PROPRIETARY TO MOLEX INCORPORATED AND SHOULD NOT BE USED WITHOUT WRITTEN PERMISSION

# 26 CIRCUIT ITEM NUMBERS

| CIRCUIT SIZE | ITEM NUMBER | PLATING OPTION | SHELL PCB OPTION | SHELL KEY OPTION |
|--------------|-------------|----------------|------------------|------------------|
| 26           | 75784-0007  | OPTION 1       | RETENTION        | LEFT             |
| 26           | 75784-0008  | OPTION 1       | RETENTION        | RIGHT            |
| 26           | 75784-0009  | OPTION 1       | RETENTION        | DUAL             |
| 26           | 75784-0010  | OPTION 1       | SMT              | LEFT             |
| 26           | 75784-0011  | OPTION 1       | SMT              | RIGHT            |
| 26           | 75784-0012  | OPTION 1       | SMT              | DUAL             |
| 26           | 75784-0019  | OPTION 2       | RETENTION        | LEFT             |
| 26           | 75784-0020  | OPTION 2       | RETENTION        | RIGHT            |
| 26           | 75784-0021  | OPTION 2       | RETENTION        | DUAL             |
| 26           | 75784-0022  | OPTION 2       | SMT              | LEFT             |
| 26           | 75784-0023  | OPTION 2       | SMT              | RIGHT            |
| 26           | 75784-0024  | OPTION 2       | SMT              | DUAL             |
| 26           | 75784-0025  | OPTION 1       | RETENTION        | UNIVERSAL        |
| 26           | 75784-0026  | OPTION 1       | SMT              | UNIVERSAL        |
| 26           | 75784-0027  | OPTION 2       | RETENTION        | UNIVERSAL        |
| 26           | 75784-0028  | OPTION 2       | SMT              | UNIVERSAL        |
| 26           | 75784-0029  | OPTION 1       | T/H 1.96         | LEFT             |
| 26           | 75784-0030  | OPTION 1       | T/H 1.96         | RIGHT            |
| 26           | 75784-0031  | OPTION 1       | T/H 1.96         | DUAL             |
| 26           | 75784-0032  | OPTION 1       | T/H 1.96         | UNIVERSAL        |
| 26           | 75784-0033  | OPTION 2       | T/H 1.96         | LEFT             |
| 26           | 75784-0034  | OPTION 2       | T/H 1.96         | RIGHT            |
| 26           | 75784-0035  | OPTION 2       | T/H 1.96         | DUAL             |
| 26           | 75784-0036  | OPTION 2       | T/H 1.96         | UNIVERSAL        |

| CIRCUIT SIZE | ITEM NUMBER | PLATING OPTION | SHELL PCB OPTION | SHELL KEY OPTION |
|--------------|-------------|----------------|------------------|------------------|
| 26           | 75784-0037  | OPTION 1       | T/H 2.79         | LEFT             |
| 26           | 75784-0038  | OPTION 1       | T/H 2.79         | RIGHT            |
| 26           | 75784-0039  | OPTION 1       | T/H 2.79         | DUAL             |
| 26           | 75784-0040  | OPTION 1       | T/H 2.79         | UNIVERSAL        |
| 26           | 75784-0041  | OPTION 2       | T/H 2.79         | LEFT             |
| 26           | 75784-0042  | OPTION 2       | T/H 2.79         | RIGHT            |
| 26           | 75784-0043  | OPTION 2       | T/H 2.79         | DUAL             |
| 26           | 75784-0044  | OPTION 2       | T/H 2.79         | UNIVERSAL        |
| 26           | 75784-0045  | OPTION 1       | T/H 3.18         | LEFT             |
| 26           | 75784-0046  | OPTION 1       | T/H 3.18         | RIGHT            |
| 26           | 75784-0047  | OPTION 1       | T/H 3.18         | DUAL             |
| 26           | 75784-0048  | OPTION 1       | T/H 3.18         | UNIVERSAL        |
| 26           | 75784-0049  | OPTION 2       | T/H 3.18         | LEFT             |
| 26           | 75784-0050  | OPTION 2       | T/H 3.18         | RIGHT            |
| 26           | 75784-0051  | OPTION 2       | T/H 3.18         | DUAL             |
| 26           | 75784-0052  | OPTION 2       | T/H 3.18         | UNIVERSAL        |

iPass™ IS A TRADEMARK OF MOLEX

| SEE SHEET 1<br>EC NO: UCP2012-2460<br>DRW:KLANG 2012/02/03<br>CHKD:<br>APPR:MBANAKIS 2012/02/07 | DESCRIPTION<br>REV: | QUALITY SYMBOLS<br>▽=0<br>▽=0 | GENERAL TOLERANCES (UNLESS SPECIFIED)<br><table border="1"> <tr> <th></th> <th>mm</th> <th>INCH</th> </tr> <tr> <td>4 PLACES</td> <td>± .005</td> <td>± .0002</td> </tr> <tr> <td>3 PLACES</td> <td>± .005</td> <td>± .0002</td> </tr> <tr> <td>2 PLACES</td> <td>± 0.13</td> <td>± .005</td> </tr> <tr> <td>1 PLACE</td> <td>± 0.25</td> <td>± .010</td> </tr> </table> ANGULAR ±1/2° |   | mm | INCH                                | 4 PLACES | ± .005 | ± .0002 | 3 PLACES | ± .005 | ± .0002 | 2 PLACES | ± 0.13 | ± .005 | 1 PLACE | ± 0.25 | ± .010 | DIMENSION STYLE<br><b>MM ONLY</b> | SCALE<br><b>2:1</b> | DESIGN UNITS<br><b>METRIC</b> | THIRD ANGLE PROJECTION |
|---|---------------------|-------------------------------|--|---|----|-------------------------------------|----------|--------|---------|----------|--------|---------|----------|--------|--------|---------|--------|--------|-----------------------------------|---------------------|-------------------------------|------------------------|
|   |                     |                               | mm   | INCH  |    |                                     |          |        |         |          |        |         |          |        |        |         |        |        |                                   |                     |                               |                        |
|   |                     | 4 PLACES                      | ± .005   | ± .0002   |    |                                     |          |        |         |          |        |         |          |        |        |         |        |        |                                   |                     |                               |                        |
|   |                     | 3 PLACES                      | ± .005   | ± .0002   |    |                                     |          |        |         |          |        |         |          |        |        |         |        |        |                                   |                     |                               |                        |
| 2 PLACES  | ± 0.13              | ± .005                        |  |   |    |                                     |          |        |         |          |        |         |          |        |        |         |        |        |                                   |                     |                               |                        |
| 1 PLACE   | ± 0.25              | ± .010                        |  |   |    |                                     |          |        |         |          |        |         |          |        |        |         |        |        |                                   |                     |                               |                        |
| DRAWN BY<br>KLANG   |                     | DATE<br>02/09/05              |  | TITLE<br><b>I-PASS VERT CONNECTOR<br/>                 INTERNAL ASSY W/SHELL<br/>                 0.8MM PITCH I/O</b> |    |                                     |          |        |         |          |        |         |          |        |        |         |        |        |                                   |                     |                               |                        |
| CHECKED BY<br>JSWENSON  |                     | DATE<br>02/09/05              |  | MOLEX MOLEX INCORPORATED  |    |                                     |          |        |         |          |        |         |          |        |        |         |        |        |                                   |                     |                               |                        |
| APPROVED BY<br>MBANAKIS   |                     | DATE<br>02/02/05              |  | MATERIAL NO.<br><b>SEE CHART</b>  |    | DOCUMENT NO.<br><b>SD-75784-001</b> |          |        |         |          |        |         |          |        |        |         |        |        |                                   |                     |                               |                        |

DRAFT WHERE APPLICABLE  
MUST REMAIN  
WITHIN DIMENSIONS

SEE CHART

THIS DRAWING CONTAINS INFORMATION THAT IS PROPRIETARY TO MOLEX INCORPORATED AND SHOULD NOT BE USED WITHOUT WRITTEN PERMISSION

SHEET NO.  
5 OF 12

# 36 CIRCUIT ITEM NUMBERS

| CIRCUIT SIZE | ITEM NUMBER | PLATING OPTION | SHELL PCB OPTION | SHELL KEY OPTION |
|--------------|-------------|----------------|------------------|------------------|
| 36           | 75784-0107  | OPTION 1       | RETENTION        | LEFT             |
| 36           | 75784-0108  | OPTION 1       | RETENTION        | RIGHT            |
| 36           | 75784-0109  | OPTION 1       | RETENTION        | DUAL             |
| 36           | 75784-0110  | OPTION 1       | SMT              | LEFT             |
| 36           | 75784-0111  | OPTION 1       | SMT              | RIGHT            |
| 36           | 75784-0112  | OPTION 1       | SMT              | DUAL             |
| 36           | 75784-0119  | OPTION 2       | RETENTION        | LEFT             |
| 36           | 75784-0120  | OPTION 2       | RETENTION        | RIGHT            |
| 36           | 75784-0121  | OPTION 2       | RETENTION        | DUAL             |
| 36           | 75784-0122  | OPTION 2       | SMT              | LEFT             |
| 36           | 75784-0123  | OPTION 2       | SMT              | RIGHT            |
| 36           | 75784-0124  | OPTION 2       | SMT              | DUAL             |
| 36           | 75784-0125  | OPTION 1       | RETENTION        | UNIVERSAL        |
| 36           | 75784-0126  | OPTION 1       | SMT              | UNIVERSAL        |
| 36           | 75784-0127  | OPTION 2       | RETENTION        | UNIVERSAL        |
| 36           | 75784-0128  | OPTION 2       | SMT              | UNIVERSAL        |
| 36           | 75784-0129  | OPTION 1       | T/H 1.96         | LEFT             |
| 36           | 75784-0130  | OPTION 1       | T/H 1.96         | RIGHT            |
| 36           | 75784-0131  | OPTION 1       | T/H 1.96         | DUAL             |
| 36           | 75784-0132  | OPTION 1       | T/H 1.96         | UNIVERSAL        |
| 36           | 75784-0133  | OPTION 2       | T/H 1.96         | LEFT             |
| 36           | 75784-0134  | OPTION 2       | T/H 1.96         | RIGHT            |
| 36           | 75784-0135  | OPTION 2       | T/H 1.96         | DUAL             |
| 36           | 75784-0136  | OPTION 2       | T/H 1.96         | UNIVERSAL        |

| CIRCUIT SIZE | ITEM NUMBER | PLATING OPTION | SHELL PCB OPTION | SHELL KEY OPTION |
|--------------|-------------|----------------|------------------|------------------|
| 36           | 75784-0137  | OPTION 1       | T/H 2.79         | LEFT             |
| 36           | 75784-0138  | OPTION 1       | T/H 2.79         | RIGHT            |
| 36           | 75784-0139  | OPTION 1       | T/H 2.79         | DUAL             |
| 36           | 75784-0140  | OPTION 1       | T/H 2.79         | UNIVERSAL        |
| 36           | 75784-0141  | OPTION 2       | T/H 2.79         | LEFT             |
| 36           | 75784-0142  | OPTION 2       | T/H 2.79         | RIGHT            |
| 36           | 75784-0143  | OPTION 2       | T/H 2.79         | DUAL             |
| 36           | 75784-0144  | OPTION 2       | T/H 2.79         | UNIVERSAL        |
| 36           | 75784-0145  | OPTION 1       | T/H 3.18         | LEFT             |
| 36           | 75784-0146  | OPTION 1       | T/H 3.18         | RIGHT            |
| 36           | 75784-0147  | OPTION 1       | T/H 3.18         | DUAL             |
| 36           | 75784-0148  | OPTION 1       | T/H 3.18         | UNIVERSAL        |
| 36           | 75784-0149  | OPTION 2       | T/H 3.18         | LEFT             |
| 36           | 75784-0150  | OPTION 2       | T/H 3.18         | RIGHT            |
| 36           | 75784-0151  | OPTION 2       | T/H 3.18         | DUAL             |
| 36           | 75784-0152  | OPTION 2       | T/H 3.18         | UNIVERSAL        |
| 36           | 75784-0153  | OPTION 1       | T/H 3.56         | LEFT             |
| 36           | 75784-0154  | OPTION 1       | T/H 3.56         | RIGHT            |
| 36           | 75784-0155  | OPTION 1       | T/H 3.56         | DUAL             |
| 36           | 75784-0156  | OPTION 1       | T/H 3.56         | UNIVERSAL        |
| 36           | 75784-0157  | OPTION 2       | T/H 3.56         | LEFT             |
| 36           | 75784-0158  | OPTION 2       | T/H 3.56         | RIGHT            |
| 36           | 75784-0159  | OPTION 2       | T/H 3.56         | DUAL             |
| 36           | 75784-0160  | OPTION 2       | T/H 3.56         | UNIVERSAL        |

iPass™ IS A TRADEMARK OF MOLEX

|  |                               |                                       |  |   |  |                      |                               |   |  |  |
|--|-------------------------------|---------------------------------------|--|---|--|----------------------|-------------------------------|---|--|--|
| SEE SHEET 1<br>EC NO: UCP2012-2460<br>DRAWN BY: DRWINKLANG<br>CHKD: MBANAKIS<br>APPR: MBANAKIS<br>2012/02/03<br>2012/02/07 | QUALITY SYMBOLS<br>▽=0<br>▽=0 | GENERAL TOLERANCES (UNLESS SPECIFIED) |  | DIMENSION STYLE<br><b>MM ONLY</b>   |  | SCALE<br><b>2:1</b>  | DESIGN UNITS<br><b>METRIC</b> | THIRD ANGLE PROJECTION  |  |  |
|  |                               |                                       |  | DRAWN BY<br>KLANG   |  | DATE<br>02/09/05     |                               | TITLE<br><b>I-PASS VERT CONNECTOR<br/>                 INTERNAL ASSY W/SHELL<br/>                 0.8MM PITCH I/O</b> |  |  |
|  |                               |                                       |  | CHECKED BY<br>JSWENSON  |  | DATE<br>02/09/05     |                               |   |  |  |
|  |                               |                                       |  | APPROVED BY<br>MBANAKIS   |  | DATE<br>02/02/05     |                               | MOLEX MOLEX INCORPORATED<br>DOCUMENT NO.<br><b>SD-75784-001</b>   |  |  |
| DRAFT WHERE APPLICABLE MUST REMAIN WITHIN DIMENSIONS   |                               | SEE CHART                             |  | MATERIAL NO.  |  | SHEET NO.<br>6 OF 12 |                               |   |  |  |
| D4   |                               | SIZE C                                |  | THIS DRAWING CONTAINS INFORMATION THAT IS PROPRIETARY TO MOLEX INCORPORATED AND SHOULD NOT BE USED WITHOUT WRITTEN PERMISSION |  |                      |                               |   |  |  |

# 50 CIRCUIT ITEM NUMBERS

| CIRCUIT SIZE | ITEM NUMBER | PLATING OPTION | SHELL PCB OPTION | SHELL KEY OPTION |
|--------------|-------------|----------------|------------------|------------------|
| 50           | 75784-0207  | OPTION 1       | RETENTION        | LEFT             |
| 50           | 75784-0208  | OPTION 1       | RETENTION        | RIGHT            |
| 50           | 75784-0209  | OPTION 1       | RETENTION        | DUAL             |
| 50           | 75784-0210  | OPTION 1       | SMT              | LEFT             |
| 50           | 75784-0211  | OPTION 1       | SMT              | RIGHT            |
| 50           | 75784-0212  | OPTION 1       | SMT              | DUAL             |
| 50           | 75784-0219  | OPTION 2       | RETENTION        | LEFT             |
| 50           | 75784-0220  | OPTION 2       | RETENTION        | RIGHT            |
| 50           | 75784-0221  | OPTION 2       | RETENTION        | DUAL             |
| 50           | 75784-0222  | OPTION 2       | SMT              | LEFT             |
| 50           | 75784-0223  | OPTION 2       | SMT              | RIGHT            |
| 50           | 75784-0224  | OPTION 2       | SMT              | DUAL             |
| 50           | 75784-0225  | OPTION 1       | RETENTION        | UNIVERSAL        |
| 50           | 75784-0226  | OPTION 1       | SMT              | UNIVERSAL        |
| 50           | 75784-0227  | OPTION 2       | RETENTION        | UNIVERSAL        |
| 50           | 75784-0228  | OPTION 2       | SMT              | UNIVERSAL        |
| 50           | 75784-0229  | OPTION 1       | T/H 1.96         | LEFT             |
| 50           | 75784-0230  | OPTION 1       | T/H 1.96         | RIGHT            |
| 50           | 75784-0231  | OPTION 1       | T/H 1.96         | DUAL             |
| 50           | 75784-0232  | OPTION 1       | T/H 1.96         | UNIVERSAL        |
| 50           | 75784-0233  | OPTION 2       | T/H 1.96         | LEFT             |
| 50           | 75784-0234  | OPTION 2       | T/H 1.96         | RIGHT            |
| 50           | 75784-0235  | OPTION 2       | T/H 1.96         | DUAL             |
| 50           | 75784-0236  | OPTION 2       | T/H 1.96         | UNIVERSAL        |

| CIRCUIT SIZE | ITEM NUMBER | PLATING OPTION | SHELL PCB OPTION | SHELL KEY OPTION |
|--------------|-------------|----------------|------------------|------------------|
| 50           | 75784-0237  | OPTION 1       | T/H 2.79         | LEFT             |
| 50           | 75784-0238  | OPTION 1       | T/H 2.79         | RIGHT            |
| 50           | 75784-0239  | OPTION 1       | T/H 2.79         | DUAL             |
| 50           | 75784-0240  | OPTION 1       | T/H 2.79         | UNIVERSAL        |
| 50           | 75784-0241  | OPTION 2       | T/H 2.79         | LEFT             |
| 50           | 75784-0242  | OPTION 2       | T/H 2.79         | RIGHT            |
| 50           | 75784-0243  | OPTION 2       | T/H 2.79         | DUAL             |
| 50           | 75784-0244  | OPTION 2       | T/H 2.79         | UNIVERSAL        |
| 50           | 75784-0245  | OPTION 1       | T/H 3.18         | LEFT             |
| 50           | 75784-0246  | OPTION 1       | T/H 3.18         | RIGHT            |
| 50           | 75784-0247  | OPTION 1       | T/H 3.18         | DUAL             |
| 50           | 75784-0248  | OPTION 1       | T/H 3.18         | UNIVERSAL        |
| 50           | 75784-0249  | OPTION 2       | T/H 3.18         | LEFT             |
| 50           | 75784-0250  | OPTION 2       | T/H 3.18         | RIGHT            |
| 50           | 75784-0251  | OPTION 2       | T/H 3.18         | DUAL             |
| 50           | 75784-0252  | OPTION 2       | T/H 3.18         | UNIVERSAL        |

iPass™ IS A TRADEMARK OF MOLEX

| SEE SHEET 1<br>EC NO: UCP2012-2460<br>DRW:KLANG 2012/02/03<br>CHKD: MBANAKIS<br>APPR: MBANAKIS 2012/02/07 | DESCRIPTION<br>REV: D4 | QUALITY SYMBOLS<br>▽=0<br>▽=0 | GENERAL TOLERANCES (UNLESS SPECIFIED)<br><table border="1" style="width: 100%; border-collapse: collapse;"> <thead> <tr> <th></th> <th>mm</th> <th>INCH</th> </tr> </thead> <tbody> <tr> <td>4 PLACES</td> <td>± .005</td> <td>± .0002</td> </tr> <tr> <td>3 PLACES</td> <td>± .005</td> <td>± .0002</td> </tr> <tr> <td>2 PLACES</td> <td>± 0.13</td> <td>± .005</td> </tr> <tr> <td>1 PLACE</td> <td>± 0.25</td> <td>± .010</td> </tr> </tbody> </table> ANGULAR ±1/2° |  | mm | INCH | 4 PLACES | ± .005 | ± .0002 | 3 PLACES | ± .005 | ± .0002 | 2 PLACES | ± 0.13 | ± .005 | 1 PLACE | ± 0.25 | ± .010 | DIMENSION STYLE<br><b>MM ONLY</b><br>DRAWN BY: KLANG DATE: 02/09/05<br>CHECKED BY: JSWENSON DATE: 02/09/05<br>APPROVED BY: MBANAKIS DATE: 02/02/05 | SCALE<br><b>2:1</b> | DESIGN UNITS<br><b>METRIC</b> | THIRD ANGLE PROJECTION<br> | TITLE<br><b>I-PASS VERT CONNECTOR<br/>                 INTERNAL ASSY W/SHELL<br/>                 0.8MM PITCH I/O</b> | MOLEX INCORPORATED<br>DOCUMENT NO.<br><b>SD-75784-001</b> | SHEET NO.<br>7 OF 12 |
|---|------------------------|-------------------------------|--|--|----|------|----------|--------|---------|----------|--------|---------|----------|--------|--------|---------|--------|--------|--|---------------------|-------------------------------|----------------------------|---|---|----------------------|
|   |                        |                               | mm   | INCH   |    |      |          |        |         |          |        |         |          |        |        |         |        |        |  |                     |                               |                            |   |   |                      |
|   |                        | 4 PLACES                      | ± .005   | ± .0002  |    |      |          |        |         |          |        |         |          |        |        |         |        |        |  |                     |                               |                            |   |   |                      |
|   |                        | 3 PLACES                      | ± .005   | ± .0002  |    |      |          |        |         |          |        |         |          |        |        |         |        |        |  |                     |                               |                            |   |   |                      |
| 2 PLACES  | ± 0.13                 | ± .005                        |  |  |    |      |          |        |         |          |        |         |          |        |        |         |        |        |  |                     |                               |                            |   |   |                      |
| 1 PLACE   | ± 0.25                 | ± .010                        |  |  |    |      |          |        |         |          |        |         |          |        |        |         |        |        |  |                     |                               |                            |   |   |                      |
| DRAFT WHERE APPLICABLE<br>MUST REMAIN<br>WITHIN DIMENSIONS  |                        |                               | SEE CHART  | THIS DRAWING CONTAINS INFORMATION THAT IS PROPRIETARY TO MOLEX<br>INCORPORATED AND SHOULD NOT BE USED WITHOUT WRITTEN PERMISSION |    |      |          |        |         |          |        |         |          |        |        |         |        |        |  |                     |                               |                            |   |   |                      |

# 68 CIRCUIT ITEM NUMBERS

| CIRCUIT SIZE | ITEM NUMBER | PLATING OPTION | SHELL PCB OPTION | SHELL KEY OPTION |
|--------------|-------------|----------------|------------------|------------------|
| 68           | 75784-0307  | OPTION 1       | RETENTION        | LEFT             |
| 68           | 75784-0308  | OPTION 1       | RETENTION        | RIGHT            |
| 68           | 75784-0309  | OPTION 1       | RETENTION        | DUAL             |
| 68           | 75784-0310  | OPTION 1       | SMT              | LEFT             |
| 68           | 75784-0311  | OPTION 1       | SMT              | RIGHT            |
| 68           | 75784-0312  | OPTION 1       | SMT              | DUAL             |
| 68           | 75784-0319  | OPTION 2       | RETENTION        | LEFT             |
| 68           | 75784-0320  | OPTION 2       | RETENTION        | RIGHT            |
| 68           | 75784-0321  | OPTION 2       | RETENTION        | DUAL             |
| 68           | 75784-0322  | OPTION 2       | SMT              | LEFT             |
| 68           | 75784-0323  | OPTION 2       | SMT              | RIGHT            |
| 68           | 75784-0324  | OPTION 2       | SMT              | DUAL             |
| 68           | 75784-0325  | OPTION 1       | RETENTION        | UNIVERSAL        |
| 68           | 75784-0326  | OPTION 1       | SMT              | UNIVERSAL        |
| 68           | 75784-0327  | OPTION 2       | RETENTION        | UNIVERSAL        |
| 68           | 75784-0328  | OPTION 2       | SMT              | UNIVERSAL        |
| 68           | 75784-0329  | OPTION 1       | T/H 1.96         | LEFT             |
| 68           | 75784-0330  | OPTION 1       | T/H 1.96         | RIGHT            |
| 68           | 75784-0331  | OPTION 1       | T/H 1.96         | DUAL             |
| 68           | 75784-0332  | OPTION 1       | T/H 1.96         | UNIVERSAL        |
| 68           | 75784-0333  | OPTION 2       | T/H 1.96         | LEFT             |
| 68           | 75784-0334  | OPTION 2       | T/H 1.96         | RIGHT            |
| 68           | 75784-0335  | OPTION 2       | T/H 1.96         | DUAL             |
| 68           | 75784-0336  | OPTION 2       | T/H 1.96         | UNIVERSAL        |

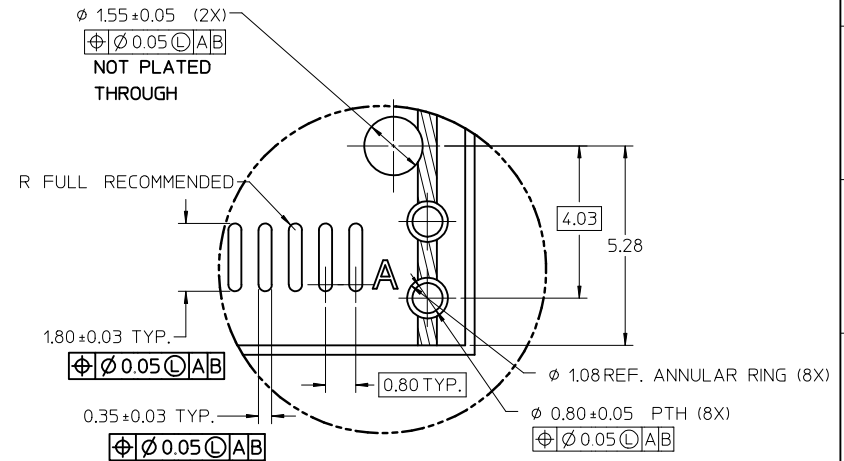
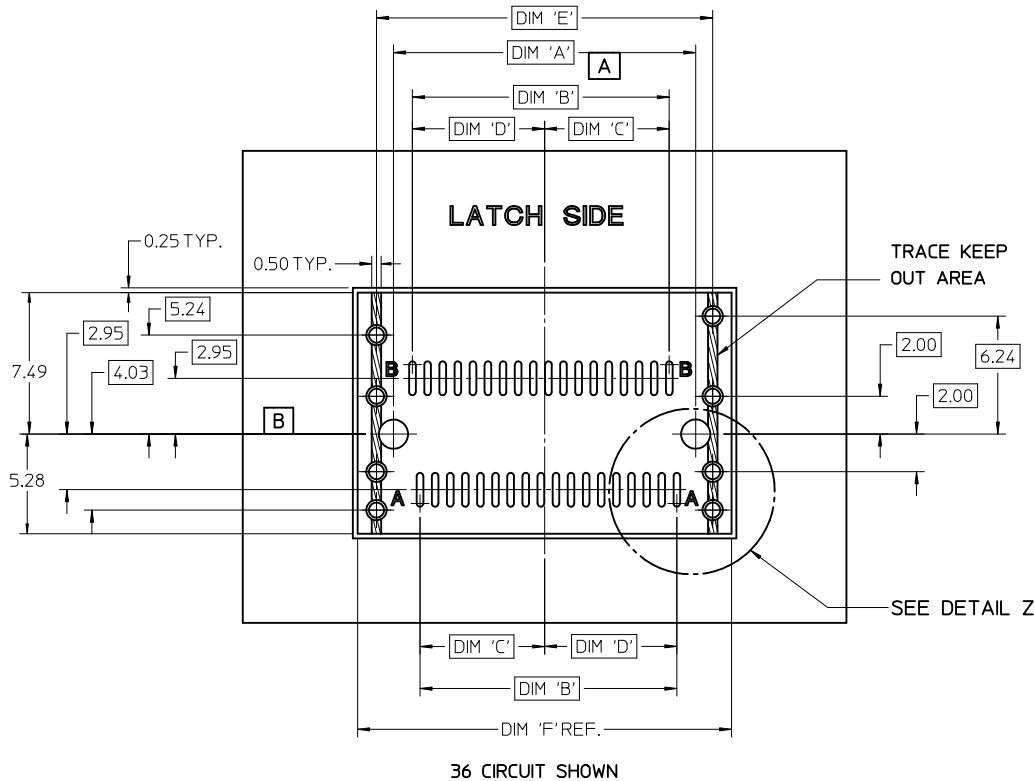
| CIRCUIT SIZE | ITEM NUMBER | PLATING OPTION | SHELL PCB OPTION | SHELL KEY OPTION |
|--------------|-------------|----------------|------------------|------------------|
| 68           | 75784-0337  | OPTION 1       | T/H 2.79         | LEFT             |
| 68           | 75784-0338  | OPTION 1       | T/H 2.79         | RIGHT            |
| 68           | 75784-0339  | OPTION 1       | T/H 2.79         | DUAL             |
| 68           | 75784-0340  | OPTION 1       | T/H 2.79         | UNIVERSAL        |
| 68           | 75784-0341  | OPTION 2       | T/H 2.79         | LEFT             |
| 68           | 75784-0342  | OPTION 2       | T/H 2.79         | RIGHT            |
| 68           | 75784-0343  | OPTION 2       | T/H 2.79         | DUAL             |
| 68           | 75784-0344  | OPTION 2       | T/H 2.79         | UNIVERSAL        |
| 68           | 75784-0345  | OPTION 1       | T/H 3.18         | LEFT             |
| 68           | 75784-0346  | OPTION 1       | T/H 3.18         | RIGHT            |
| 68           | 75784-0347  | OPTION 1       | T/H 3.18         | DUAL             |
| 68           | 75784-0348  | OPTION 1       | T/H 3.18         | UNIVERSAL        |
| 68           | 75784-0349  | OPTION 2       | T/H 3.18         | LEFT             |
| 68           | 75784-0350  | OPTION 2       | T/H 3.18         | RIGHT            |
| 68           | 75784-0351  | OPTION 2       | T/H 3.18         | DUAL             |
| 68           | 75784-0352  | OPTION 2       | T/H 3.18         | UNIVERSAL        |

iPass™ IS A TRADEMARK OF MOLEX

| SEE SHEET 1<br>EC NO: UCP2012-2460<br>DRW:KLANG 2012/02/03<br>CHKD:<br>APPR:MBANAKIS 2012/02/07<br>REV: | QUALITY SYMBOLS | GENERAL TOLERANCES (UNLESS SPECIFIED)<br><table border="1"> <tr><th></th><th>mm</th><th>INCH</th></tr> <tr><td>4 PLACES</td><td>± ---</td><td>± ---</td></tr> <tr><td>3 PLACES</td><td>± ---</td><td>± ---</td></tr> <tr><td>2 PLACES</td><td>± 0.13</td><td>± ---</td></tr> <tr><td>1 PLACE</td><td>± 0.25</td><td>± ---</td></tr> </table> ANGULAR ±1/2°<br><br>DRAFT WHERE APPLICABLE MUST REMAIN WITHIN DIMENSIONS |   | mm    | INCH | 4 PLACES | ± --- | ± --- | 3 PLACES | ± --- | ± --- | 2 PLACES | ± 0.13 | ± --- | 1 PLACE | ± 0.25 | ± --- | DIMENSION STYLE | SCALE | DESIGN UNITS | THIRD ANGLE PROJECTION |
|---|-----------------|--|---|-------|------|----------|-------|-------|----------|-------|-------|----------|--------|-------|---------|--------|-------|-----------------|-------|--------------|------------------------|
|   |                 |  | mm  | INCH  |      |          |       |       |          |       |       |          |        |       |         |        |       |                 |       |              |                        |
|   | 4 PLACES        |  | ± ---   | ± --- |      |          |       |       |          |       |       |          |        |       |         |        |       |                 |       |              |                        |
|   | 3 PLACES        |  | ± ---   | ± --- |      |          |       |       |          |       |       |          |        |       |         |        |       |                 |       |              |                        |
| 2 PLACES  | ± 0.13          | ± ---  |   |       |      |          |       |       |          |       |       |          |        |       |         |        |       |                 |       |              |                        |
| 1 PLACE   | ± 0.25          | ± ---  |   |       |      |          |       |       |          |       |       |          |        |       |         |        |       |                 |       |              |                        |
|   | MM ONLY         | 2:1  | METRIC  |       |      |          |       |       |          |       |       |          |        |       |         |        |       |                 |       |              |                        |
|   | DRAWN BY        | DATE   | TITLE   |       |      |          |       |       |          |       |       |          |        |       |         |        |       |                 |       |              |                        |
|   | KLANG           | 02/09/05   | I-PASS VERT CONNECTOR<br>INTERNAL ASSY W/SHELL<br>0.8MM PITCH I/O |       |      |          |       |       |          |       |       |          |        |       |         |        |       |                 |       |              |                        |
|   | CHECKED BY      | DATE   | MOLEX MOLEX INCORPORATED  |       |      |          |       |       |          |       |       |          |        |       |         |        |       |                 |       |              |                        |
|   | JSWENSON        | 02/09/05   | MATERIAL NO. SD-75784-001   |       |      |          |       |       |          |       |       |          |        |       |         |        |       |                 |       |              |                        |
|   | APPROVED BY     | DATE   | SHEET NO. 8 OF 12   |       |      |          |       |       |          |       |       |          |        |       |         |        |       |                 |       |              |                        |
|   | MBANAKIS        | 02/02/05   | DOCUMENT NO.  |       |      |          |       |       |          |       |       |          |        |       |         |        |       |                 |       |              |                        |
|   | SIZE            | THIS DRAWING CONTAINS INFORMATION THAT IS PROPRIETARY TO MOLEX INCORPORATED AND SHOULD NOT BE USED WITHOUT WRITTEN PERMISSION  |   |       |      |          |       |       |          |       |       |          |        |       |         |        |       |                 |       |              |                        |
|   | C               |  |   |       |      |          |       |       |          |       |       |          |        |       |         |        |       |                 |       |              |                        |



# VERTICAL CONNECTOR WITH RETENTION FIT & THRU-HOLE SHELL PCB FOOT PRINT

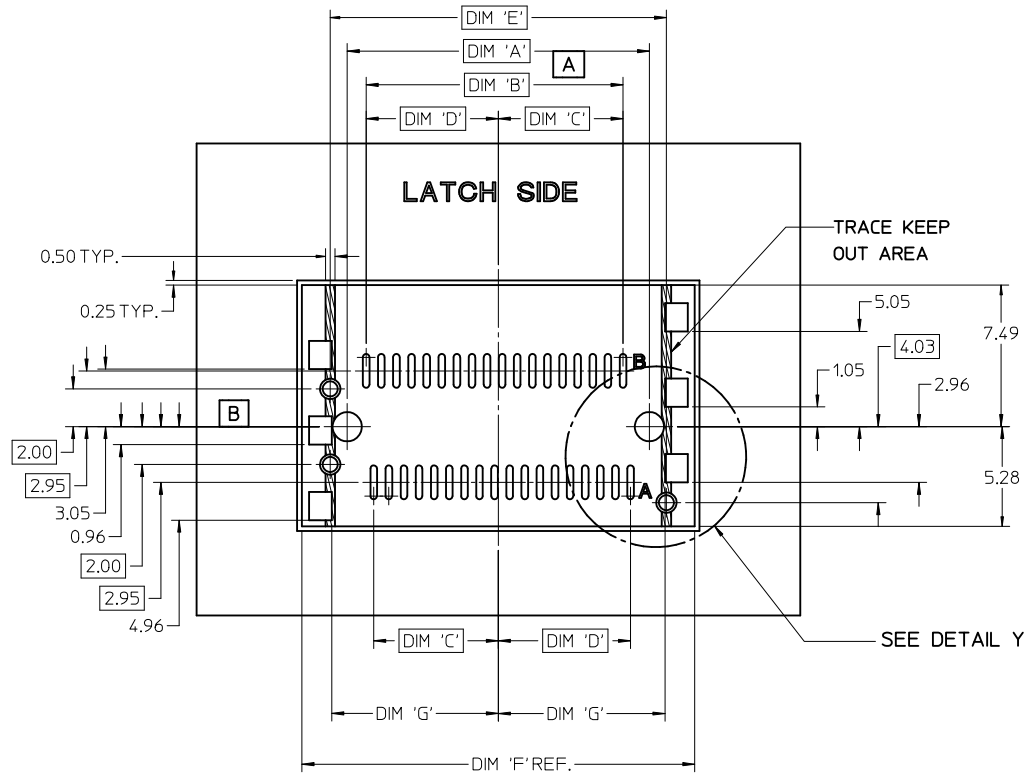


DETAIL Z  
SCALE 10:1

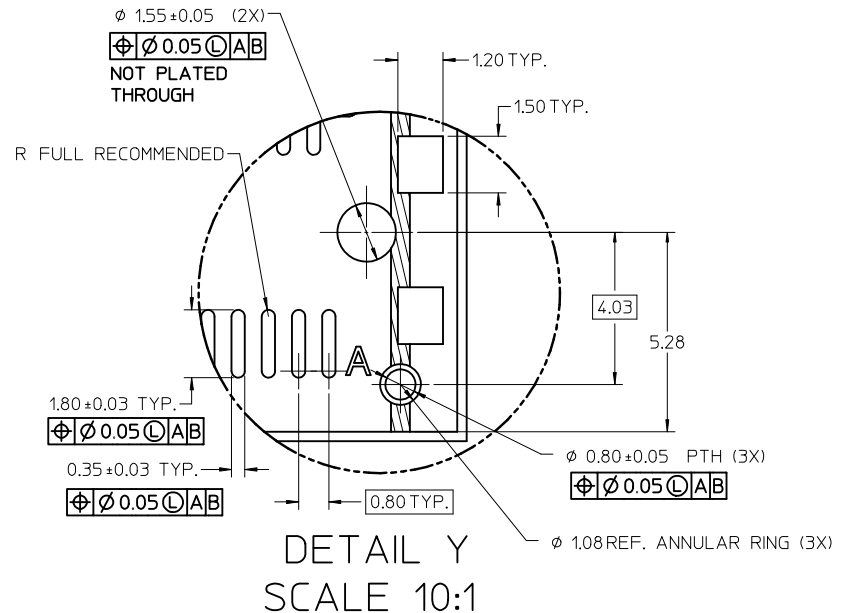
|              | PEG TO PEG | FIRST TO LAST PAD | CENTERLINE TO PAD | CENTERLINE TO PAD | SHELL PEG TO PEG | SHELL FOOTPRINT WIDTH |
|--------------|------------|-------------------|-------------------|-------------------|------------------|-----------------------|
| CIRCUIT SIZE | DIM 'A'    | DIM 'B'           | DIM 'C'           | DIM 'D'           | DIM 'E'          | DIM 'F'               |
| 26           | 12.00      | 9.60              | 4.60              | 5.00              | 13.80            | 15.80                 |
| 36           | 16.00      | 13.60             | 6.60              | 7.00              | 17.80            | 19.80                 |
| 50           | 21.60      | 19.20             | 9.40              | 9.80              | 23.40            | 25.40                 |
| 68           | 28.80      | 26.40             | 13.00             | 13.40             | 30.60            | 32.60                 |

| SEE SHEET 1<br>EC NO: UCP2012-2460<br>DRINKLANG 2012/02/03<br>CHKD:<br>APPR: MBANAKIS 2012/02/07<br>REV: D4                   | QUALITY SYMBOLS<br>▽=0<br>▽=0 | GENERAL TOLERANCES (UNLESS SPECIFIED)   |       | DIMENSION STYLE<br><b>MM ONLY</b>  | SCALE<br><b>5:1</b> | DESIGN UNITS<br><b>METRIC</b> | THIRD ANGLE PROJECTION |                |       |                 |       |                |       |   |  |   |  |  |
|---|-------------------------------|---|-------|------------------------------------|---------------------|-------------------------------|------------------------|----------------|-------|-----------------|-------|----------------|-------|---|--|---|--|--|
|   |                               | <table border="1" style="width: 100%; border-collapse: collapse;"> <tr> <th>mm</th> <th>INCH</th> </tr> <tr> <td>4 PLACES ± ---</td> <td>± ---</td> </tr> <tr> <td>3 PLACES ± ---</td> <td>± ---</td> </tr> <tr> <td>2 PLACES ± 0.13</td> <td>± ---</td> </tr> <tr> <td>1 PLACE ± 0.25</td> <td>± ---</td> </tr> </table> |       | mm                                 | INCH                | 4 PLACES ± ---                | ± ---                  | 3 PLACES ± --- | ± --- | 2 PLACES ± 0.13 | ± --- | 1 PLACE ± 0.25 | ± --- | DRAWN BY: KLANG DATE: 02/09/05<br>CHECKED BY: JSWENSON DATE: 02/09/05<br>APPROVED BY: MBANAKIS DATE: 02/02/05 |  | I-PASS VERT CONNECTOR<br>INTERNAL ASSY W/SHELL<br>0.8MM PITCH I/O |  |  |
|   |                               | mm  | INCH  |                                    |                     |                               |                        |                |       |                 |       |                |       |   |  |   |  |  |
|   |                               | 4 PLACES ± ---  | ± --- |                                    |                     |                               |                        |                |       |                 |       |                |       |   |  |   |  |  |
| 3 PLACES ± ---  | ± ---                         |   |       |                                    |                     |                               |                        |                |       |                 |       |                |       |   |  |   |  |  |
| 2 PLACES ± 0.13   | ± ---                         |   |       |                                    |                     |                               |                        |                |       |                 |       |                |       |   |  |   |  |  |
| 1 PLACE ± 0.25  | ± ---                         |   |       |                                    |                     |                               |                        |                |       |                 |       |                |       |   |  |   |  |  |
| ANGULAR ±1/2°   |                               | DRAFT WHERE APPLICABLE MUST REMAIN WITHIN DIMENSIONS  |       | MOLEX INCORPORATED<br>SD-75784-001 |                     |                               | SHEET NO.<br>9 OF 12   |                |       |                 |       |                |       |   |  |   |  |  |
| THIS DRAWING CONTAINS INFORMATION THAT IS PROPRIETARY TO MOLEX INCORPORATED AND SHOULD NOT BE USED WITHOUT WRITTEN PERMISSION |                               |   |       |                                    |                     |                               |                        |                |       |                 |       |                |       |   |  |   |  |  |

# VERTICAL CONNECTOR WITH SMT SHELL PCB FOOT PRINT



36 CIRCUIT SHOWN



DETAIL Y  
SCALE 10:1

PEG TO PEG  
FIRST TO LAST PAD  
CENTERLINE TO PAD  
CENTERLINE TO PAD  
SHELL PEG TO PEG  
SHELL FOOTPRINT WIDTH  
CENTERLINE TO PAD EDGE

| CIRCUIT SIZE | DIM 'A' | DIM 'B' | DIM 'C' | DIM 'D' | DIM 'E' | DIM 'F' | DIM 'G' |
|--------------|---------|---------|---------|---------|---------|---------|---------|
| 26           | 12.00   | 9.60    | 4.60    | 5.00    | 13.80   | 16.80   | 6.825   |
| 36           | 16.00   | 13.60   | 6.60    | 7.00    | 17.80   | 20.80   | 8.825   |
| 50           | 21.60   | 19.20   | 9.40    | 9.80    | 23.40   | 26.40   | 11.625  |
| 68           | 28.80   | 26.40   | 13.00   | 13.40   | 30.60   | 33.60   | 15.225  |

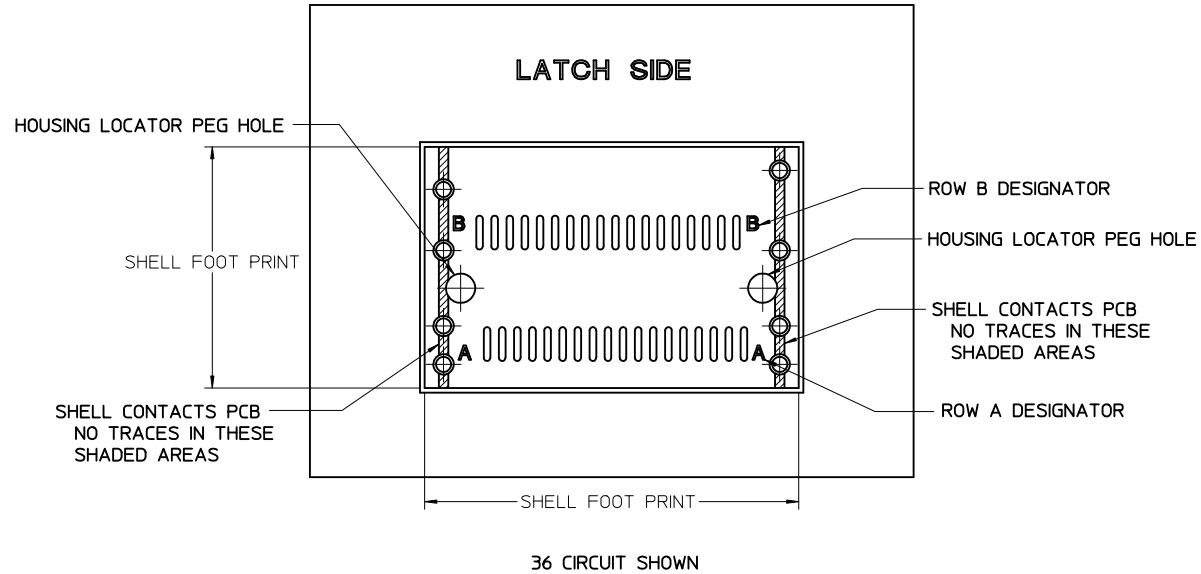
SEE SHEET 1  
EC NO: UCP2012-2460  
DRAWN BY: DRWINKLANG 2012/02/03  
CHKD: MBANAKIS  
APPR: MBANAKIS 2012/02/07

QUALITY SYMBOLS  
  
 GENERAL TOLERANCES (UNLESS SPECIFIED)  
 4 PLACES ± --- ± ---  
 3 PLACES ± --- ± ---  
 2 PLACES ± 0.13 ± ---  
 1 PLACE ± 0.25 ± ---  
 ANGULAR ± 1/2°  
 DRAFT WHERE APPLICABLE  
 MUST REMAIN WITHIN DIMENSIONS

DIMENSION STYLE  
**MM ONLY**  
 DRAWN BY: KLANG DATE: 02/09/05  
 CHECKED BY: JSWENSON DATE: 02/09/05  
 APPROVED BY: MBANAKIS DATE: 02/02/05  
 MATERIAL NO.  
**SEE CHART**

SCALE 5:1  
 DESIGN UNITS METRIC  
 THIRD ANGLE PROJECTION  
 I-Pass™ IS A TRADEMARK OF MOLEX  
**I-PASS VERT CONNECTOR  
 INTERNAL ASSY W/SHELL  
 0.8MM PITCH I/O**  
  
**MOLEX INCORPORATED**  
 DOCUMENT NO. SD-75784-001  
 SHEET NO. 10 OF 12  
 THIS DRAWING CONTAINS INFORMATION THAT IS PROPRIETARY TO MOLEX INCORPORATED AND SHOULD NOT BE USED WITHOUT WRITTEN PERMISSION

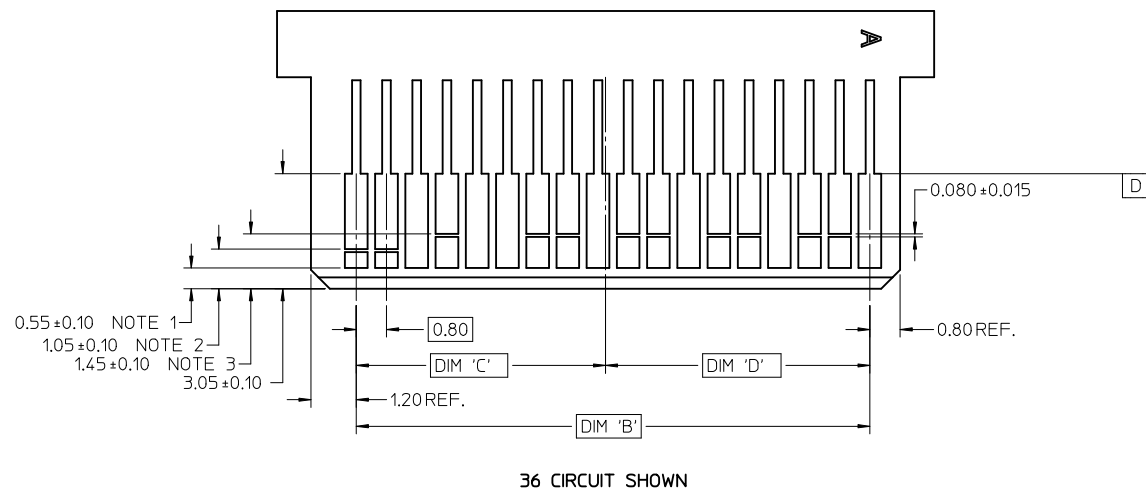
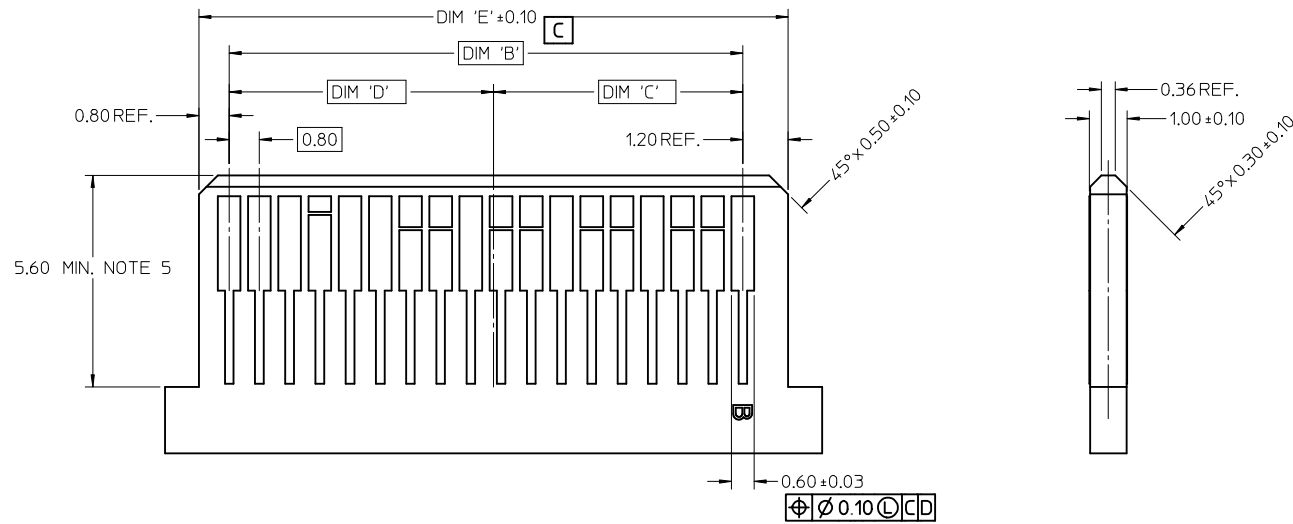
# VERTICAL CONNECTOR WITH SHELL PCB FOOT PRINT DESCRIPTIONS



iPass™ IS A TRADEMARK OF MOLEX

| SEE SHEET 1<br>EC NO: UCP2012-2460<br>DRINKLANG 2012/02/03<br>CHKD:<br>APPR: MBANAK IS 2012/02/07<br>REV D4 | QUALITY SYMBOLS<br>▼=0<br>▽=0 | GENERAL TOLERANCES (UNLESS SPECIFIED)                      |                  | DIMENSION STYLE   | SCALE                        | DESIGN UNITS          | THIRD ANGLE PROJECTION |          |       |       |          |       |       |          |        |       |         |        |       |                   |                  |   |  |  |
|---|-------------------------------|--|------------------|---|------------------------------|-----------------------|------------------------|----------|-------|-------|----------|-------|-------|----------|--------|-------|---------|--------|-------|-------------------|------------------|---|--|--|
|   |                               |  |                  | <b>MM ONLY</b>  | 5:1                          | METRIC                |                        |          |       |       |          |       |       |          |        |       |         |        |       |                   |                  |   |  |  |
|   |                               |  |                  | <table border="1" style="width: 100%; border-collapse: collapse;"> <thead> <tr> <th></th> <th>mm</th> <th>INCH</th> </tr> </thead> <tbody> <tr> <td>4 PLACES</td> <td>± ---</td> <td>± ---</td> </tr> <tr> <td>3 PLACES</td> <td>± ---</td> <td>± ---</td> </tr> <tr> <td>2 PLACES</td> <td>± 0.13</td> <td>± ---</td> </tr> <tr> <td>1 PLACE</td> <td>± 0.25</td> <td>± ---</td> </tr> </tbody> </table> |                              | mm                    | INCH                   | 4 PLACES | ± --- | ± --- | 3 PLACES | ± --- | ± --- | 2 PLACES | ± 0.13 | ± --- | 1 PLACE | ± 0.25 | ± --- | DRAWN BY<br>KLANG | DATE<br>02/09/05 | TITLE<br><b>I-PASS VERT CONNECTOR<br/>INTERNAL ASSY W/SHELL<br/>0.8MM PITCH I/O</b> |  |  |
|   |                               |  | mm               | INCH  |                              |                       |                        |          |       |       |          |       |       |          |        |       |         |        |       |                   |                  |   |  |  |
| 4 PLACES  | ± ---                         | ± ---  |                  |   |                              |                       |                        |          |       |       |          |       |       |          |        |       |         |        |       |                   |                  |   |  |  |
| 3 PLACES  | ± ---                         | ± ---  |                  |   |                              |                       |                        |          |       |       |          |       |       |          |        |       |         |        |       |                   |                  |   |  |  |
| 2 PLACES  | ± 0.13                        | ± ---  |                  |   |                              |                       |                        |          |       |       |          |       |       |          |        |       |         |        |       |                   |                  |   |  |  |
| 1 PLACE   | ± 0.25                        | ± ---  |                  |   |                              |                       |                        |          |       |       |          |       |       |          |        |       |         |        |       |                   |                  |   |  |  |
|   |                               | CHECKED BY<br>JSWENSON                                     | DATE<br>02/09/05 |   |                              |                       |                        |          |       |       |          |       |       |          |        |       |         |        |       |                   |                  |   |  |  |
|   |                               | APPROVED BY<br>MBANAK IS                                   | DATE<br>02/02/05 | <b>MOLEX INCORPORATED</b>   |                              |                       |                        |          |       |       |          |       |       |          |        |       |         |        |       |                   |                  |   |  |  |
|   |                               | ANGULAR ±1/2°  |                  | MATERIAL NO.<br><b>SEE CHART</b>  | DOCUMENT NO.<br>SD-75784-001 | SHEET NO.<br>11 OF 12 |                        |          |       |       |          |       |       |          |        |       |         |        |       |                   |                  |   |  |  |
|   |                               | DRAFT WHERE APPLICABLE<br>MUST REMAIN<br>WITHIN DIMENSIONS |                  | THIS DRAWING CONTAINS INFORMATION THAT IS PROPRIETARY TO MOLEX<br>INCORPORATED AND SHOULD NOT BE USED WITHOUT WRITTEN PERMISSION  |                              |                       |                        |          |       |       |          |       |       |          |        |       |         |        |       |                   |                  |   |  |  |

# MATING INTERFACE (FOR REFERENCE ONLY)



**NOTES:**

1. PAD CONFIGURATION FOR FIRST MATE.
2. PAD CONFIGURATION FOR SECOND MATE.
3. PAD CONFIGURATION FOR THIRD MATE. (HIGH SPEED SIGNALS)
4. FOR PIN ASSIGNMENTS AND MATING SEQUENCE (1ST, 2ND, 3RD), SEE APPLICABLE SPECIFICATION.
5. MINIMUM STEP REQUIRED IF PCB MADE WIDER THAN TOUNGE.

iPass™ IS A TRADEMARK OF MOLEX

| CIRCUIT SIZE | TERM/SIDE 'N' | DIM 'B' | DIM 'C' | DIM 'D' | DIM 'E' |
|--------------|---------------|---------|---------|---------|---------|
| 26           | 13            | 9.60    | 4.60    | 5.00    | 11.60   |
| 36           | 18            | 13.60   | 6.60    | 7.00    | 15.60   |
| 50           | 25            | 19.20   | 9.40    | 9.80    | 21.20   |
| 68           | 34            | 26.40   | 13.00   | 13.40   | 28.40   |

|   |                 |
|---|-----------------|
| SEE SHEET 1<br>EC NO: UCP2012-2460<br>DRINKLANG 2012/02/03<br>CHKD:<br>APPR: MBANAK IS 2012/02/07 | QUALITY SYMBOLS |
|   | ▽=0<br>▽=0      |
|   | DESCRIPTION     |
|   | REV             |

|  |         |
|--|---------|
| GENERAL TOLERANCES (UNLESS SPECIFIED)                |         |
|  | mm INCH |
| 4 PLACES ± ---                                       | ± ---   |
| 3 PLACES ± ---                                       | ± ---   |
| 2 PLACES ± 0.13                                      | ± ---   |
| 1 PLACE ± 0.25                                       | ± ---   |
| ANGULAR ±1/2°  |         |
| DRAFT WHERE APPLICABLE MUST REMAIN WITHIN DIMENSIONS |         |

|                 |          |
|-----------------|----------|
| DIMENSION STYLE |          |
| MM ONLY         |          |
| DRAWN BY        | DATE     |
| KLANG           | 02/09/05 |
| CHECKED BY      | DATE     |
| JSWENSON        | 02/09/05 |
| APPROVED BY     | DATE     |
| MBANAK IS       | 02/02/05 |
| MATERIAL NO.    |          |
| SEE CHART       |          |
| SIZE            |          |
| C               |          |

|   |              |                        |
|---|--------------|------------------------|
| SCALE   | DESIGN UNITS | THIRD ANGLE PROJECTION |
| 10:1  | METRIC       |                        |
| TITLE   |              |                        |
| I-PASS VERT CONNECTOR INTERNAL ASSY W/SHELL 0.8MM PITCH I/O   |              |                        |
| molex MOLEX INCORPORATED  |              | SHEET NO.              |
| DOCUMENT NO. SD-75784-001   |              | 12 OF 12               |
| THIS DRAWING CONTAINS INFORMATION THAT IS PROPRIETARY TO MOLEX INCORPORATED AND SHOULD NOT BE USED WITHOUT WRITTEN PERMISSION |              |                        |