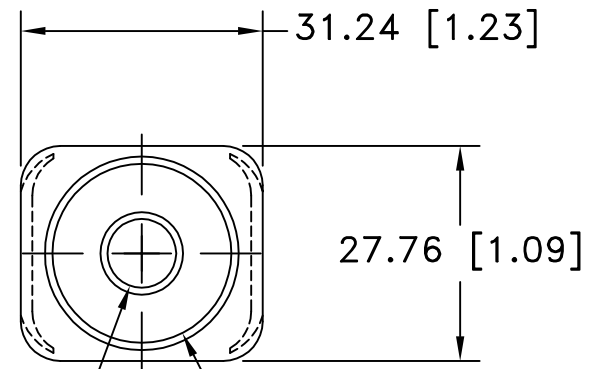
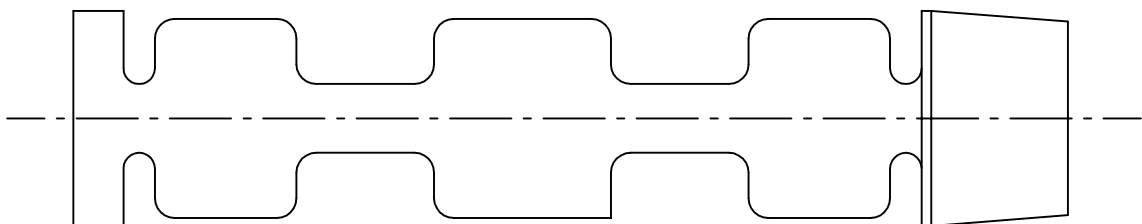
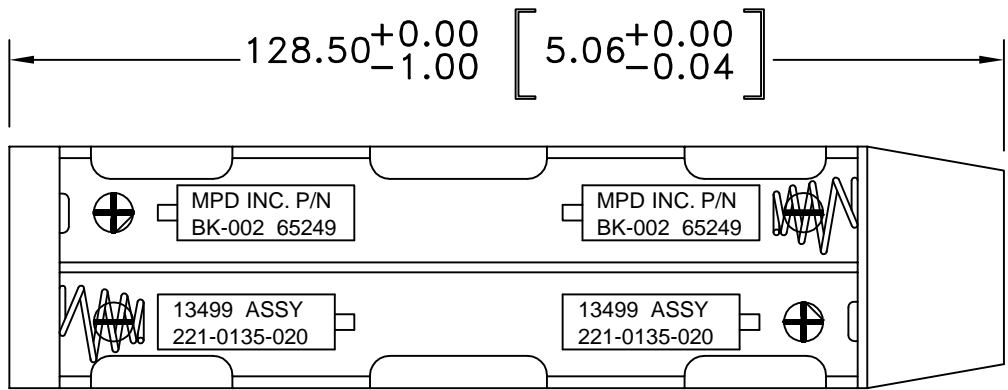
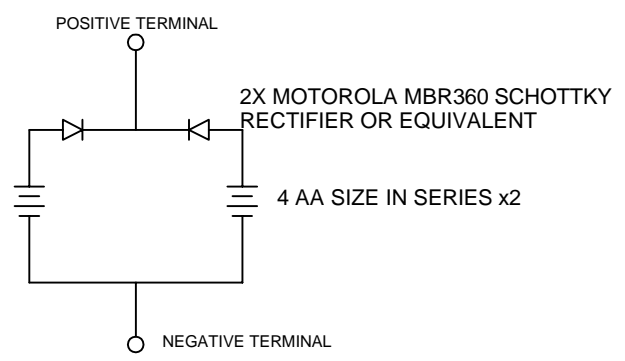


Date	SYM	REVISION RECORD	AUTH	DR.	CK.
1/13/07	A	ADDED "ROHS COMPLIANT"	T B	B S	




8.90 [0.35]
POSITIVE TERMINAL

$\phi 23.11 [\phi 0.91]$
NEGATIVE TERMINAL



NOTES:

- MATERIAL:
HOUSING : BLACK POLYPROPYLENE, UL94-HB,
FILE NO. E163907 (J700)
RIVETS: BRASS, NICKLE PLTD.
SPRING: SPRING STEEL, NICKLE PLTD.
CONTACTS: 0.6mm THICK BRONZE, NICKLE PLTD.
ROHS COMPLIANT

Tolerance (Except as noted)	 Memory Protection Devices, Inc 200 Broad Hollow Road, Farmingdale, New York 11735		
decimal $\pm .5 (.020)$	Scale	Drawn By B.S. Approved By T.B.	
Fractional $\pm .8 (.030)$	Title EIGHT "AA" CELL HOLDER-6 VOLT OUTPUT		
Angular $\pm 3^\circ$	Date 1/13/07	Drawing Number BK-002	