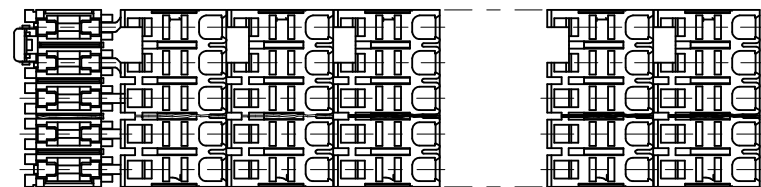
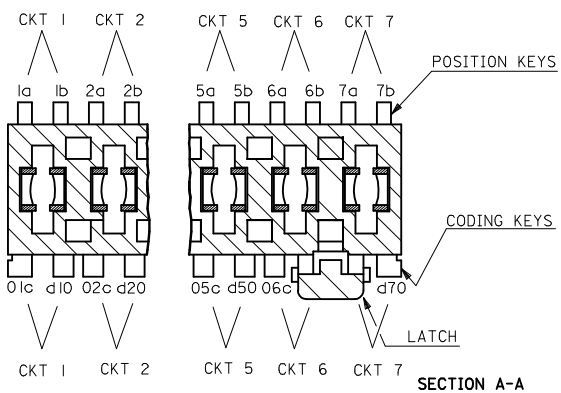


CKT SIZE	A	B
2	5.00	9.94 +/-0.04
3	10.00	14.93 +/-0.05
4	15.00	19.93 +/-0.05



- NOTES:
- MATERIALS:
HOUSING: PA 6, UL94 V-2
COLOUR: SEE SHEET 2
TERMINAL: PHOSPHOR BRONZE, (0.50)/.020 THICK REF
PLATING: (2 µm)/79 µin MIN SILVER IN CONTACT AREA
(0.10 µm)/.004 µin MIN SILVER FLASH ALLOWER
 - PRODUCT CONFORMS TO SPECIFICATION PS-99020-0037
 - ACCEPTS CABLE, PER ES-99036-0010
 - SEE SUBSEQUENT SHEETS FOR PART NUMBERS SHOWING THE VARIOUS CODING, KEYING AND LATCHING OPTIONS.
 - PACKAGING SPECIFICATION PK-90833-001
 - APPLICATION SPECIFICATION AS-99033-0004

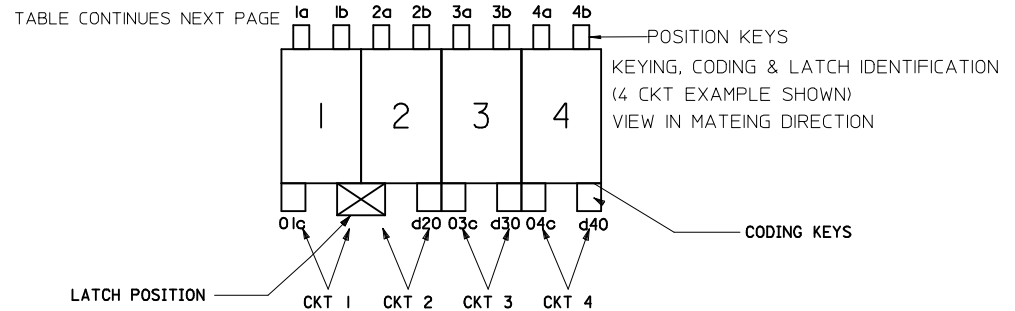


KEYING, CODING, & LATCH IDENTIFICATION
(7 CKT EXAMPLE SHOWN)

SHOW SHORT LATCH EC NO: IFC2017-0650 DRWN:CF/SHER01 2017/01/05 CHKD: APPR:BRUTILE 2017/03/06	DESCRIPTION REV	QUALITY SYMBOLS ▽=0 ▽=0	GENERAL TOLERANCES (UNLESS SPECIFIED) <table border="1"> <thead> <tr> <th></th> <th>mm</th> <th>INCH</th> </tr> </thead> <tbody> <tr> <td>4 PLACES</td> <td>±---</td> <td>±---</td> </tr> <tr> <td>3 PLACES</td> <td>±---</td> <td>±---</td> </tr> <tr> <td>2 PLACES</td> <td>±0.05</td> <td>±---</td> </tr> <tr> <td>1 PLACE</td> <td>±0.1</td> <td>±---</td> </tr> <tr> <td colspan="3">ANGULAR ±---°</td> </tr> </tbody> </table>		mm	INCH	4 PLACES	±---	±---	3 PLACES	±---	±---	2 PLACES	±0.05	±---	1 PLACE	±0.1	±---	ANGULAR ±---°			DIMENSION STYLE MM ONLY	SCALE 1:1	DESIGN UNITS METRIC	THIRD ANGLE PROJECTION
			mm	INCH																					
4 PLACES	±---	±---																							
3 PLACES	±---	±---																							
2 PLACES	±0.05	±---																							
1 PLACE	±0.1	±---																							
ANGULAR ±---°																									
DRAWN BY GMCSWEEN CHECKED BY BMAGUIE APPROVED BY BMAGUIRE MATERIAL NO.	DATE 2004/10/14 DATE 2005/01/07 DATE 2010/10/20	TITLE RAST 5 INDIRECT FEMALE ASSEMBLY 16 AMPS	MOLEX INCORPORATED	DOCUMENT NO. SD-91779-001	SHEET NO. 1 OF 6	THIS DRAWING CONTAINS INFORMATION THAT IS PROPRIETARY TO MOLEX INCORPORATED AND SHOULD NOT BE USED WITHOUT WRITTEN PERMISSION																			

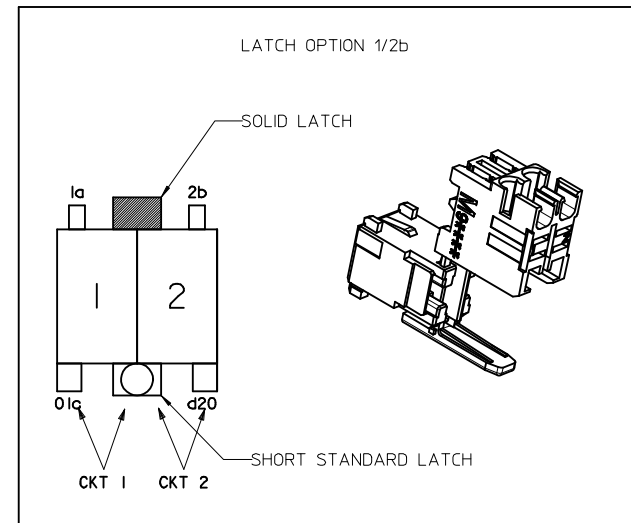
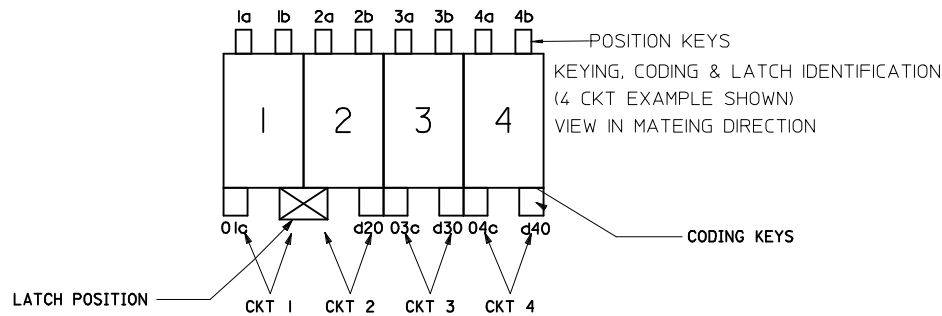
MOLEX PART NO.	HOUSING NO.	CIRCUIT SIZE	COLOUR	RAL NUMBER	POSITION KEYS	CODING KEYS	LATCH POSITION	CONFIGURATION	COLOUR STRIP	REF.
91779-0001	91779-9001	2	NATURAL	9001	1a, 1b 2a, 2b	01c, d20	1/2		NONE	K00
91779-0002	91779-9001	2	NATURAL	9001	1b, 2a	01c, d20	1/2		NONE	K01
91779-0003	91779-9001	2	NATURAL	9001	1a, 2b	d20	1/2		NONE	K05
91779-0004	91779-9001	2	NATURAL	9001	1a	01c, d20	1/2		NONE	K12
91779-0005	91779-9001	2	NATURAL	9001	1a, 2b	01c, d20	1/2		BLUE	K48
91779-0006	91779-9004	2	RED (PINK)	3014	1a, 1b 2a, 2b	NONE	1/2		NONE	K41
91779-0007	91779-9001	2	NATURAL	9001	2a	01c	1/2		NONE	K42
91779-0008	91779-9004	2	RED (PINK)	3014	1a, 1b 2a, 2b	d20	1/2		NONE	K34
91779-0009	PART NUMBER OBSOLETE, REPLACED WITH 91779-0006.									
91779-0010	91779-9003	2	BLACK	5004	1a, 1b 2a, 2b	NONE	1/2		NONE	K41
91779-0011	91779-9001	2	NATURAL	9001	1a	d20	1/2		NONE	K66
91779-0012	91779-9001	2	NATURAL	9001	1b	01c, d20	1/2		NONE	K16
91779-0013	91779-9001	2	NATURAL	9001	1a	NONE	1/2		NONE	K70
91779-0014	91779-9001	2	NATURAL	9001	1b 2a 2b	d20	1/2		NONE	K--
91779-0015	91779-9001	2	NATURAL	9001	1a, 1b 2a, 2b	d20	1/2		NONE	K34
91779-0016	91779-9001	2	NATURAL	9001	1a, 1b 2a, 2b	01c	1/2		NONE	K33
91779-0017	91779-9004	2	RED (PINK)	3014	1a 1b 2b	NONE	1/2		NONE	K43
91779-0018	91779-9001	2	NATURAL	9001	1b 2b	01c	1/2		NONE	K09
91779-0019	91779-9001	2	NATURAL	9001	1b 2b	01c	1/2		GREEN	K--
91779-0020	91779-9001	2	NATURAL	9001	1a 2b	d20	1/2		GREEN	K--
91779-0021	91779-9001	2	NATURAL	9001	2a	01c, d20	1/2		BLACK	K--
91779-0022	91779-9001	2	NATURAL	9001	1b	d20	1/2		RED	K--
91779-0023	91779-9001	2	NATURAL	9001	1b 2b	01c	1/2		BLUE	K--

MOLEX PART NO.	HOUSING NO.	CIRCUIT SIZE	COLOUR	RAL NUMBER	POSITION KEYS	CODING KEYS	LATCH POSITION	CONFIGURATION	colour stripe	REF.
91779-0024	91779-9001	2	NATURAL	9001	1b 2b	01c	1/2		ORANGE	K--
91779-0025	91779-9001	2	NATURAL	9001	1a 1b	d20	1/2		NONE	K--
91779-0026	91779-9001	2	NATURAL	9001	1a 2b	01c	1/2		NONE	K--
91779-0027	91779-9003	2	BLACK	5004	1a 2b	NONE	1/2		NONE	K06
91779-0028	91779-9004	2	RED (PINK)	3014	2a 2b	NONE	1/2		NONE	K31
91779-0029	91779-9001	2	NATURAL	9001	NONE	01c, d20	1/2		NONE	K--
91779-0030	91779-9001	2	NATURAL	9001	1a 2a 2b	01c, d20	1/2		NONE	K62
91779-0031	91779-9001	2	NATURAL	9001	1a 2a	01c, d20	1/2		NONE	K--
91779-0032	91779-9001	2	NATURAL	9001	1b 2b	01c, d20	1/2		NONE	K--
91779-0033	91779-9001	2	NATURAL	9001	1a, 1b 2a, 2b	01c, d20	1/2		RED	K09
91779-0034	91779-9001	2	NATURAL	9001	1a, 1b 2a, 2b	01c, d20	1/2		GREEN	K--
91779-0035	91779-9001	2	NATURAL	9001	2b	NONE	1/2		NONE	K--
91779-0036	91779-9001	2	NATURAL	9001	1a, 1b 2a, 2b	NONE	1/2		NONE	K41
91779-0038	91779-9001	2	NATURAL	9001	1b	NONE	1/2		NONE	K--



SEE SHEET 1 EC NO: IPG2017-0650 DRAWN: I SHERO1 2017/10/05 CHKD: APPR: BRUITLE 2017/03/06 AL	QUALITY SYMBOLS ▽=0 ▽=0	GENERAL TOLERANCES (UNLESS SPECIFIED)	DIMENSION STYLE MM ONLY	SCALE 2:1	DESIGN UNITS METRIC	THIRD ANGLE PROJECTION
	4 PLACES ± --- ± ---	mm INCH	DRAWN BY GMC/SWEEN	DATE 2004/10/14	TITLE RAST 5 INDIRECT FEMALE ASSEMBLY 16 AMPS	
	3 PLACES ± --- ± ---		CHECKED BY BMAGUIE	DATE 2005/01/07	MOLEX MOLEX INCORPORATED	
2 PLACES ± 0.05 ± ---		APPROVED BY BMAGUIE	DATE 2010/10/20	DOCUMENT NO. SD-91779-001		SHEET NO. 2 OF 6
1 PLACE ± 0.1 ± ---		ANGULAR ± ---°	THIS DRAWING CONTAINS INFORMATION THAT IS PROPRIETARY TO MOLEX INCORPORATED AND SHOULD NOT BE USED WITHOUT WRITTEN PERMISSION			
DRAFT WHERE APPLICABLE MUST REMAIN WITHIN DIMENSIONS						

CIRCUIT 2 CONTIN'D										
MOLEX PART NO.	HOUSING NO.	CIRCUIT SIZE	COLOUR	RAL NUMBER	POSITION KEYS	CODING KEYS	LATCH POSITION	CONFIGURATION	COLOUR STRIPE	REF.
91779-0039	91779-9001	2	NATURAL	9001	1a 2b	NONE	1/2		NONE	K06
91779-0040	91779-9004	2	RED	3014	1a 2a	01c	1/2		NONE	K10
91779-0041	91779-9001	2	NATURAL	9001	1b 2a 2b	01c d20	1/2		NONE	K78
91779-0042	91779-9001	2	NATURAL	9001	NONE	01c	1/2		NONE	K51
91779-0043	91779-9005	2	NATURAL	9001	NONE	NONE	1/2b		NONE	K--
91779-0044	91779-9001	2	NATURAL	9001	1a 1b 2a 2b	01c	1/2		NONE	K--
91779-0045	91779-9001	2	NATURAL	9001	NONE	d20	1/2		NONE	K56
91779-0046	91779-9001	2	NATURAL	9001	NONE	NONE	1/2		NONE	K61
91779-0047	91779-9005	2	NATURAL	9001	NONE	01c	1/2b		NONE	K--
91779-0048	91779-9006	2	NATURAL	9001	2b	01c d20	1/2b SHORT STD LATCH 1/2		NONE	K--



SEE SHEET 1 EC NO: IFC2017-0650 DRW:CF/SHER01 2017/01/05 CHKD: APPR:BRUITLE 2017/03/06	QUALITY SYMBOLS	GENERAL TOLERANCES (UNLESS SPECIFIED)		DIMENSION STYLE	SCALE	DESIGN UNITS	THIRD ANGLE PROJECTION
	▽=0	mm	INCH	MM ONLY	1:1	METRIC	
	▽=0	4 PLACES ±---	±---	DRAWN BY	DATE	TITLE	
		3 PLACES ±---	±---	GMCSWEEN	2004/10/14	RAST 5 INDIRECT FEMALE ASSEMBLY 16 AMPS	
	2 PLACES ±0.05	±---	CHECKED BY	DATE			
	1 PLACE ±0.1	±---	BMAGUIE	2005/01/07			
	0 PLACE ±	±	APPROVED BY	DATE			
			BMAGUIE	2010/10/20			
		ANGULAR ±---	MATERIAL NO.	DOCUMENT NO.			
		DRAFT WHERE APPLICABLE MUST REMAIN WITHIN DIMENSIONS	SEE TABLES	SD-91779-001			
			SIZE A2	THIS DRAWING CONTAINS INFORMATION THAT IS PROPRIETARY TO MOLEX INCORPORATED AND SHOULD NOT BE USED WITHOUT WRITTEN PERMISSION			SHEET NO. 3 OF 6

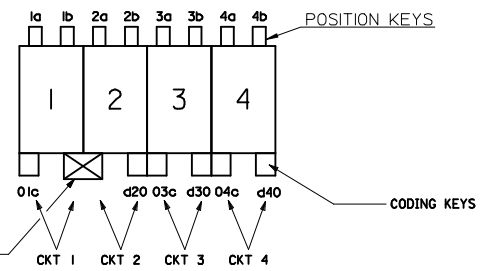
MOLEX PART NO.	HOUSING NO.	CIRCUIT SIZE	COLOUR	RAL NUMBER	POSITION KEYS	CODING KEYS	LATCH POSITION	CONFIGURATION	COLOUR STRIP	REF.
91779-0101	91779-9101	3	NATURAL	9001	1a 1b 2a 2b 3a 3b	01c d20 03c d30	1/2		NONE	K00
91779-0102	91779-9102	3	NATURAL	9001	1a 1b 2a 2b 3a 3b	01c d10 02c d30	2/3		NONE	K90
91779-0103	91779-9101	3	NATURAL	9001	1b	01c d20	1/2		NONE	K01
91779-0104	91779-9102	3	NATURAL	9001	2a	d10 d30	2/3		NONE	K44
91779-0105	91779-9102	3	NATURAL	9001	3b	02c d30	2/3		NONE	K--
91779-0106	91779-9101	3	NATURAL	9001	NONE	NONE	1/2		NONE	k59
91779-0107	91779-9101	3	NATURAL	9001	1b	01c d20	1/2		RED	k01
91779-0108	91779-9101	3	NATURAL	9001	1a	01c d20	1/2		NONE	K154
91779-0109	91779-9103	3	RED	3014	1a 1b 2a 2b 3a 3b	NONE	2/3		NONE	K39
91779-0110	91779-9103	3	RED	3014	2b 3b	d10	2/3		NONE	K84
91779-0111	91779-9102	3	NATURAL	9001	2b 3a	d10, d30	2/3		NONE	K--

91779-0112	PART NUMBER OBSOLETE, REPLACED WITH 91779-0109.									
91779-0113	91779-9103	3	RED	3014	1a 1b 2a 2b 3a 3b	d10	2/3		NONE	K41
91779-0114	91779-9102	3	NATURAL	9001	1a 1b 2a 2b 3a 3b	d10	2/3		NONE	K41
91779-0115	91779-9101	3	NATURAL	9001	NONE	03c	1/2		NONE	K72
91779-0116	91779-9101	3	NATURAL	9001	1a 1b	d30	1/2		NONE	K05
91779-0117	91779-9102	3	NATURAL	9001	2a	d10 02c d30	2/3		NONE	K--
91779-0118	91779-9102	3	NATURAL	9001	2a	d10	2/3		NONE	K--
91779-0119	91779-9101	3	NATURAL	9001	2a	01c d30	1/2		NONE	K--

MOLEX PART NO.	HOUSING NO.	CIRCUIT SIZE	COLOUR	RAL NUMBER	VOID CIRCUIT	POSITION KEYS	CODING KEYS	LATCH POSITION	CONFIGURATION	COLOUR STRIP	REF.
91779-0120	91779-9102	3	NATURAL	9001	NONE	2b 3b	d30	2/3		NONE	K--
91779-0121	91779-9101	3	NATURAL	9001	NONE	NONE	01c d30	1/2		NONE	K--
91779-0122	91779-9103	3	RED	3014	NONE	1b 2a 2b 3b	NONE	2/3		NONE	k124
91779-0123	91779-9103	3	RED	3014	2	2b 3b	d10	2/3		NONE	k84
91779-0124	91779-9102	3	NATURAL	9001	NONE	NONE	d10 02c d30	2/3		NONE	K--
91779-0126	91779-9101	3	NATURAL	9001	NONE	3b	01c d30	1/2		NONE	K--
91779-0127	91779-9102	3	NATURAL	9001	NONE	1a 2a 3b	d10 d30	2/3		NONE	k170
91779-0128	91779-9102	3	NATURAL	9001	NONE	1a 2b	NONE	2/3		NONE	K--
91779-0129	91779-9102	3	NATURAL	9001	NONE	1a 1b 2a 2b 3a 3b	01c d30	2/3		NONE	K--
91779-0130	91779-9101	3	NATURAL	9001	NONE	1a 3b	01c	1/2		NONE	K--
91779-0132	91779-9102	3	NATURAL	9001	NONE	2a 3a	d30	2/3		NONE	K31

TABLE CONTINUES NEXT PAGE

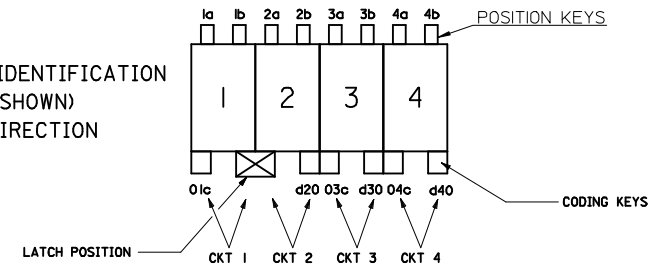
KEYING, CODING & LATCH IDENTIFICATION
(4 CKT EXAMPLE SHOWN)
VIEW IN MATING DIRECTION



SEE SHEET 1 EC NO: IPG2017-0650 DRAWN: SHERO 2017/01/05 CHKD: APPR: BRUITLE 2017/03/06 AL	QUALITY SYMBOLS ▽=0 ▽=0	GENERAL TOLERANCES (UNLESS SPECIFIED) <table border="1"> <thead> <tr> <th></th> <th>mm</th> <th>INCH</th> </tr> </thead> <tbody> <tr> <td>4 PLACES</td> <td>±---</td> <td>±---</td> </tr> <tr> <td>3 PLACES</td> <td>±---</td> <td>±---</td> </tr> <tr> <td>2 PLACES</td> <td>±0.05</td> <td>±---</td> </tr> <tr> <td>1 PLACE</td> <td>±0.1</td> <td>±---</td> </tr> </tbody> </table> ANGULAR ±---°		mm	INCH	4 PLACES	±---	±---	3 PLACES	±---	±---	2 PLACES	±0.05	±---	1 PLACE	±0.1	±---	DIMENSION STYLE MM ONLY DRAWN BY: GMCSWEEN DATE: 2004/10/14 CHECKED BY: BMAGUIE DATE: 2005/01/07 APPROVED BY: BMAGUIE DATE: 2010/10/20 MATERIAL NO.	SCALE 2:1 DESIGN UNITS METRIC THIRD ANGLE PROJECTION	TITLE RAST 5 INDIRECT FEMALE ASSEMBLY 16 AMPS MOLEX INCORPORATED DOCUMENT NO. SD-91779-001	SHEET NO. 4 OF 6
		mm	INCH																		
	4 PLACES	±---	±---																		
	3 PLACES	±---	±---																		
2 PLACES	±0.05	±---																			
1 PLACE	±0.1	±---																			
DRAFT WHERE APPLICABLE MUST REMAIN WITHIN DIMENSIONS		SEE TABLES		THIS DRAWING CONTAINS INFORMATION THAT IS PROPRIETARY TO MOLEX INCORPORATED AND SHOULD NOT BE USED WITHOUT WRITTEN PERMISSION																	

CIRCUIT 3 CONTIN'D											
MOLEX PART NO.	HOUSING NO.	CIRCUIT SIZE	COLOUR	RAL NUMBER	VOID CIRCUIT	POSITION KEYS	CODING KEYS	LATCH POSITION	CONFIGURATION	COLOUR STRIP	REF.
91779-0133	91779-9107	3	NATURAL	9001	NONE	1a 3b	01c	2/3b		NONE	K--
91779-0134	91779-9102	3	NATURAL	9001	NONE	3b	01c d30	2/3		NONE	K--
91779-0135	91779-9108	3	NATURAL	9001	NONE	1a 2b 3a 3b	NONE	1/2b		NONE	K--
91779-0136	91779-9107	3	NATURAL	9001	NONE	2a 3b	NONE	2/3b		NONE	K--
91779-0137	91779-9107	3	NATURAL	9001	NONE	NONE	NONE	2/3b		NONE	K--
91779-0138	91779-9102	3	NATURAL	9001	NONE	2a	d10 d30	2/3		NONE	K--
91779-0139	91779-9102	3	NATURAL	9001	NONE	1a 3b	d10	2/3		NONE	K--
91779-0140	91779-9102	3	NATURAL	9001	NONE	2a 2b	NONE	2/3		NONE	K--
91779-0141	91779-9102	3	NATURAL	9001	NONE	1a 3b	NONE	2/3		NONE	K--
91779-0142	91779-9101	3	NATURAL	9001	NONE	1a 1b	d20	1/2		NONE	K--

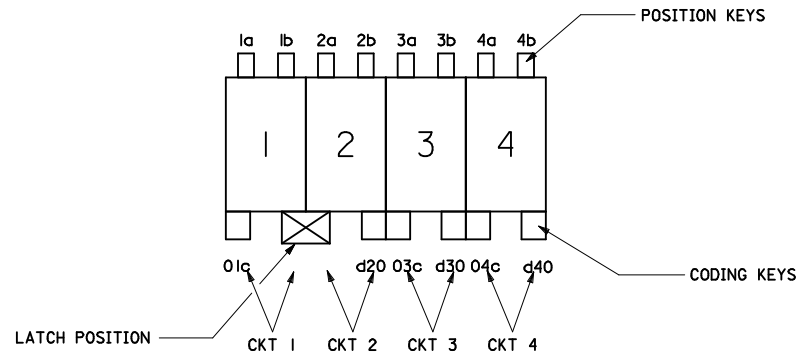
KEYING, CODING & LATCH IDENTIFICATION
(4 CKT EXAMPLE SHOWN)
VIEW IN MATING DIRECTION



ENTER DESCRIPTION EC NO: IFC2017-0650 DRWN:CF/SHER01 2017/01/05 CHKD: APPR:BRUITLE 2017/03/06	QUALITY SYMBOLS ▽=0 ▽=0	GENERAL TOLERANCES (UNLESS SPECIFIED)	DIMENSION STYLE MM ONLY	SCALE 1:1	DESIGN UNITS METRIC	THIRD ANGLE PROJECTION																																			
	AL	<table border="1"> <tr> <th></th> <th>mm</th> <th>INCH</th> </tr> <tr> <td>4 PLACES</td> <td>±.005</td> <td>±.0004</td> </tr> <tr> <td>3 PLACES</td> <td>±.005</td> <td>±.0004</td> </tr> <tr> <td>2 PLACES</td> <td>±0.05</td> <td>±.002</td> </tr> <tr> <td>1 PLACE</td> <td>±0.1</td> <td>±.004</td> </tr> <tr> <td>0 PLACE</td> <td>±</td> <td>±</td> </tr> </table>		mm	INCH	4 PLACES	±.005	±.0004	3 PLACES	±.005	±.0004	2 PLACES	±0.05	±.002	1 PLACE	±0.1	±.004	0 PLACE	±	±	<table border="1"> <tr> <th>DRAWN BY</th> <th>DATE</th> <th>TITLE</th> </tr> <tr> <td>GMCSWEEN</td> <td>2004/10/14</td> <td></td> </tr> <tr> <th>CHECKED BY</th> <th>DATE</th> <th></th> </tr> <tr> <td>BMAGUIE</td> <td>2005/01/07</td> <td></td> </tr> <tr> <th>APPROVED BY</th> <th>DATE</th> <th></th> </tr> <tr> <td>BMAGUIE</td> <td>2010/10/20</td> <td></td> </tr> </table>	DRAWN BY	DATE	TITLE	GMCSWEEN	2004/10/14		CHECKED BY	DATE		BMAGUIE	2005/01/07		APPROVED BY	DATE		BMAGUIE	2010/10/20		RAST 5 INDIRECT FEMALE ASSEMBLY 16 AMPS 	
	mm	INCH																																							
4 PLACES	±.005	±.0004																																							
3 PLACES	±.005	±.0004																																							
2 PLACES	±0.05	±.002																																							
1 PLACE	±0.1	±.004																																							
0 PLACE	±	±																																							
DRAWN BY	DATE	TITLE																																							
GMCSWEEN	2004/10/14																																								
CHECKED BY	DATE																																								
BMAGUIE	2005/01/07																																								
APPROVED BY	DATE																																								
BMAGUIE	2010/10/20																																								
DRAFT WHERE APPLICABLE MUST REMAIN WITHIN DIMENSIONS		SEE TABLES		DOCUMENT NO. SD-91779-001																																					
THIS DRAWING CONTAINS INFORMATION THAT IS PROPRIETARY TO MOLEX INCORPORATED AND SHOULD NOT BE USED WITHOUT WRITTEN PERMISSION																																									

MOLEX PART NO.	HOUSING NO.	CIRCUIT SIZE	COLOUR	RAL NUMBER	POSITION KEYS	CODING KEYS	LATCH POSITION	CONFIGURATION	COLOUR STRIP	REF.
91779-0201	91779-9201	4	NATURAL		1a 1b 2a 2b 3a 3b 4a 4b	01c d20 03c d40	1/2, 3/4		NONE	K00
91779-0202	91779-9201	4	NATURAL	9001	1b	03c d40	1/2, 3/4		NONE	K01
91779-0203	91779-9201	4	NATURAL	9001	1a 3a 3b	01c d20 d40	1/2, 3/4		NONE	K32
91779-0204	91779-9202	4	NATURAL	9001	NONE	d20	1/2		NONE	K127
91779-0205	91779-9201	4	NATURAL	9001	2a, 4b	d20	1/2, 3/4		NONE	K--
91779-0206	91779-9201	4	NATURAL	9001	2b	d20	1/2, 3/4		NONE	K--
91779-0207	91779-9207	4	NATURAL	9001	3a	01c d20 03c d40	3/4		NONE	K--
91779-0208	91779-9201	4	NATURAL	9001	3a	01c d20 03c d40	1/2 3/4		NONE	K--
91779-0209	91779-9208	4	NATURAL	9001	1a 2b 3b 4b	01c d10 02c d30 04c d40	2/3		NONE	K--
91779-0210	91779-9201	4	NATURAL	9001	1a 1b 2b 3a 3b 4b	d20 d40	1/2 3/4		NONE	K--
91779-0211	91779-9201	4	NATURAL	9001	2a 2b 3b 4b	01c d20 03c d40	1/2 3/4		NONE	K--
91779-0212	91779-9201	4	NATURAL	9001	2a 3a 4b	01c	1/2 3/4		NONE	K--
91779-0213	91779-9202	4	NATURAL	9001	2a 4b	01c d30	1/2		NONE	K--
91779-0214	91779-9202	4	NATURAL	9001	1a 1b 2a 2b 3a 3b 4a 4b	01c d20 03c d30 04c d40	1/2		NONE	K--
91779-0215	91779-9201	4	NATURAL	9001	1a 2b 3b	d40	1/2 3/4		NONE	K--

MOLEX PART NO.	HOUSING NO.	CIRCUIT SIZE	COLOUR	RAL NUMBER	POSITION KEYS	CODING KEYS	LATCH POSITION	CONFIGURATION	COLOUR STRIP	REF.
91779-0216	91779-9201	4	NATURAL	9001	1b 2a 3a 4b	01c d40	1/2, 3/4		NONE	K--
91779-0217	PART NUMBER OBSOLETE, REPLACED WITH 91779-0205									
91779-0218	91779-9201	4	NATURAL	9001	1a 1b 3a 3b	03c d40	1/2, 3/4		NONE	K--
91779-0219	91779-9201	4	NATURAL	9001	1b 2a 3a 4a	01c d20 03c	1/2, 3/4		NONE	K--
91779-0220	91779-9207	4	NATURAL	9001	1a 1b 2a 2b 3a 4b	01c d40	3/4		NONE	K--
91779-0221	91779-9202	4	NATURAL	9001	1a 1b 2a 2b 3a 4b	01c d40	1/2		NONE	K--
91779-0222	91779-9208	4	NATURAL	9001	1a 1b 2a 2b 3a 4b	01c d40	2/3		NONE	K--
91779-0223	91779-9209	4	NATURAL	9001	1a 2b	04c	1/2b 3/4b SHORT STD LATCH 1/2		NONE	K--



KEYING, CODING & LATCH IDENTIFICATION
(4 CKT EXAMPLE SHOWN)
VIEW IN MATING DIRECTION

SEE SHEET 1 EC NO: IPG2017-0650 DRAWN:CF SHERO1 2017/10/10 CHKD: APPR:BRUITLE 2017/03/06 AL	QUALITY SYMBOLS ▽=0 ▽=0	GENERAL TOLERANCES (UNLESS SPECIFIED)	DIMENSION STYLE MM ONLY	SCALE 2:1	DESIGN UNITS METRIC	THIRD ANGLE PROJECTION																																			
	<table border="1"> <thead> <tr> <th></th> <th>mm</th> <th>INCH</th> </tr> </thead> <tbody> <tr> <td>4 PLACES</td> <td>±---</td> <td>±---</td> </tr> <tr> <td>3 PLACES</td> <td>±---</td> <td>±---</td> </tr> <tr> <td>2 PLACES</td> <td>±0.05</td> <td>±---</td> </tr> <tr> <td>1 PLACE</td> <td>±0.1</td> <td>±---</td> </tr> <tr> <td colspan="3">ANGULAR ±---°</td> </tr> </tbody> </table>		mm	INCH	4 PLACES	±---	±---	3 PLACES	±---	±---	2 PLACES	±0.05	±---	1 PLACE	±0.1	±---	ANGULAR ±---°			<table border="1"> <thead> <tr> <th>DRAWN BY</th> <th>DATE</th> <th>TITLE</th> </tr> </thead> <tbody> <tr> <td>GMCSWEEN</td> <td>2004/10/14</td> <td rowspan="2">RAST 5 INDIRECT FEMALE ASSEMBLY 16 AMPS</td> </tr> <tr> <td>CHECKED BY</td> <td>DATE</td> </tr> <tr> <td>BMAGUIE</td> <td>2005/01/07</td> <td rowspan="2">MOLEX INCORPORATED</td> </tr> <tr> <td>APPROVED BY</td> <td>DATE</td> </tr> <tr> <td>BMAGUIE</td> <td>2010/10/20</td> <td>SD-91779-001</td> </tr> </tbody> </table>	DRAWN BY	DATE	TITLE	GMCSWEEN	2004/10/14	RAST 5 INDIRECT FEMALE ASSEMBLY 16 AMPS	CHECKED BY	DATE	BMAGUIE	2005/01/07	MOLEX INCORPORATED	APPROVED BY	DATE	BMAGUIE	2010/10/20	SD-91779-001	<table border="1"> <thead> <tr> <th>MATERIAL NO.</th> <th>DOCUMENT NO.</th> </tr> </thead> <tbody> <tr> <td>SEE TABLES</td> <td>SD-91779-001</td> </tr> </tbody> </table>	MATERIAL NO.	DOCUMENT NO.	SEE TABLES	SD-91779-001
	mm	INCH																																							
4 PLACES	±---	±---																																							
3 PLACES	±---	±---																																							
2 PLACES	±0.05	±---																																							
1 PLACE	±0.1	±---																																							
ANGULAR ±---°																																									
DRAWN BY	DATE	TITLE																																							
GMCSWEEN	2004/10/14	RAST 5 INDIRECT FEMALE ASSEMBLY 16 AMPS																																							
CHECKED BY	DATE																																								
BMAGUIE	2005/01/07	MOLEX INCORPORATED																																							
APPROVED BY	DATE																																								
BMAGUIE	2010/10/20	SD-91779-001																																							
MATERIAL NO.	DOCUMENT NO.																																								
SEE TABLES	SD-91779-001																																								
DRAFT WHERE APPLICABLE MUST REMAIN WITHIN DIMENSIONS		THIS DRAWING CONTAINS INFORMATION THAT IS PROPRIETARY TO MOLEX INCORPORATED AND SHOULD NOT BE USED WITHOUT WRITTEN PERMISSION																																							