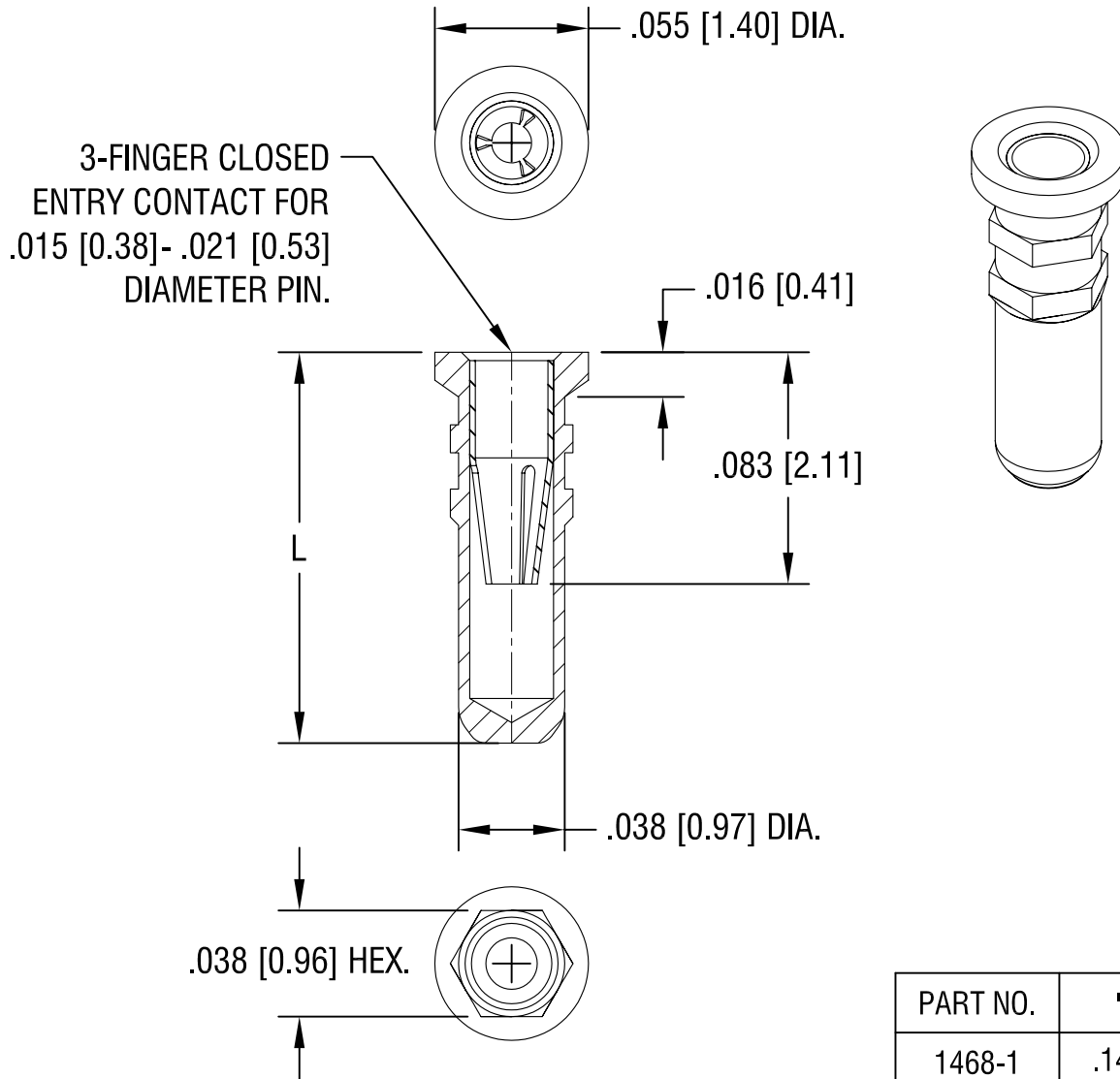


THIS DOCUMENT IS THE PROPERTY OF
KEYSTONE ELECTRONICS CORP. AND
SHALL NOT BE REPRODUCED, DISTRIBUTED
OR USED AS A BASIS FOR MANUFACTURE
WITHOUT PRIOR WRITTEN PERMISSION
FROM KEYSTONE ELECTRONICS CORP.



PART NO.	'L' DIM.
1468-1	.140 [3.56]
1468-2	.170 [4.32]
1468-3	.282 [7.16]

NOTES:

1. BODY: MAT'L - BRASS
FINISH- TIN/LEAD PLATE
2. SPRING CONTACT: MAT'L - BERYLLIUM COPPER
FINISH- GOLD PLATE
3. MOUNTING HOLE DIA.: .041 [1.04]

TOLERANCE ON DIAMETERS: $\pm .002$

KEYSTONE ELECTRONICS CORP.			
www.keyelco.com • ASTORIA, N.Y. 11105-2017 • Tel (718) 956-8900			
PART NAME MICRO JACK, PRESS-FIT			
MATERIAL AS NOTED			
FINISH AS NOTED		DRN BY NT	DATE 8.05.08
		APP'D LN	SCALE 15X
TOLERANCES DECIMAL ANGULAR $\pm 1^\circ$ UNLESS OTHERWISE SPECIFIED	INCH [MM] $\pm .005$ [± 0.15]	CODE C/M	DWG NO. 1468-1 - 1468-3

DATE	DESCRIPTION	REV.