

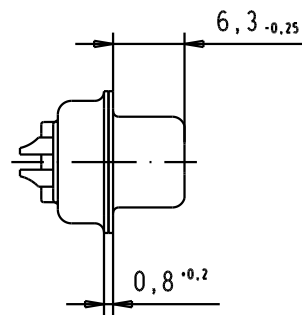
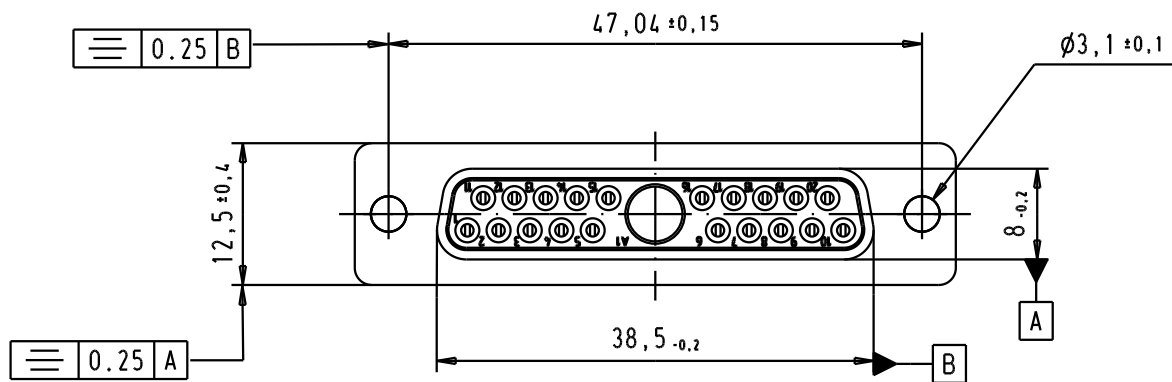
5

4

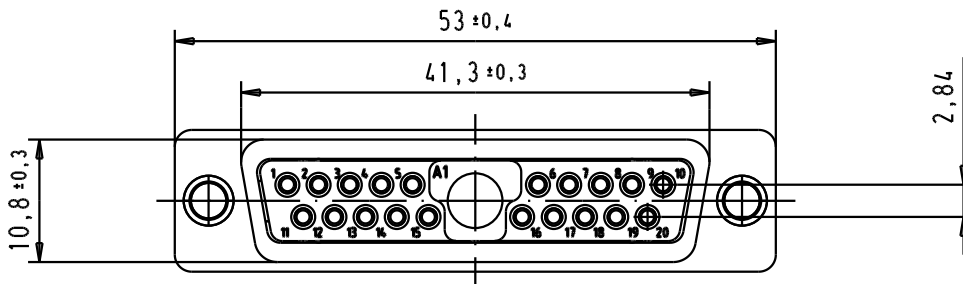
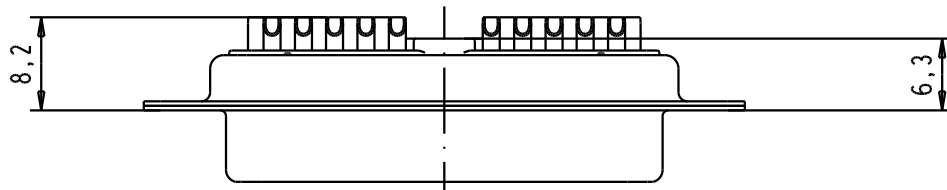
3

2

1



Solder bucket termination for AWG 20



D

C

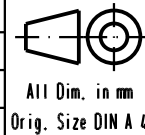
B

A

09693017211	0.1 μm Au
09693015211	0.8 μm Au
Part number	Performance level

32987	09/08/05	JMDR
Mod.	Dat.	Name

	Dat.	Name
Detail.	09/08/05	JMDR
Insp.		
Stand.		
HARTING EURL F-95972 Paris		



All Dim. in mm
Orig. Size DIN A 4

D-sub, female, straight,
21W1 - with signal solder
bucket contacts,
tin plated shell with hole

Maßstab/
Scale

1,5:1



TB 0969301X211

Blatt / Page

1 / 1

Sub.