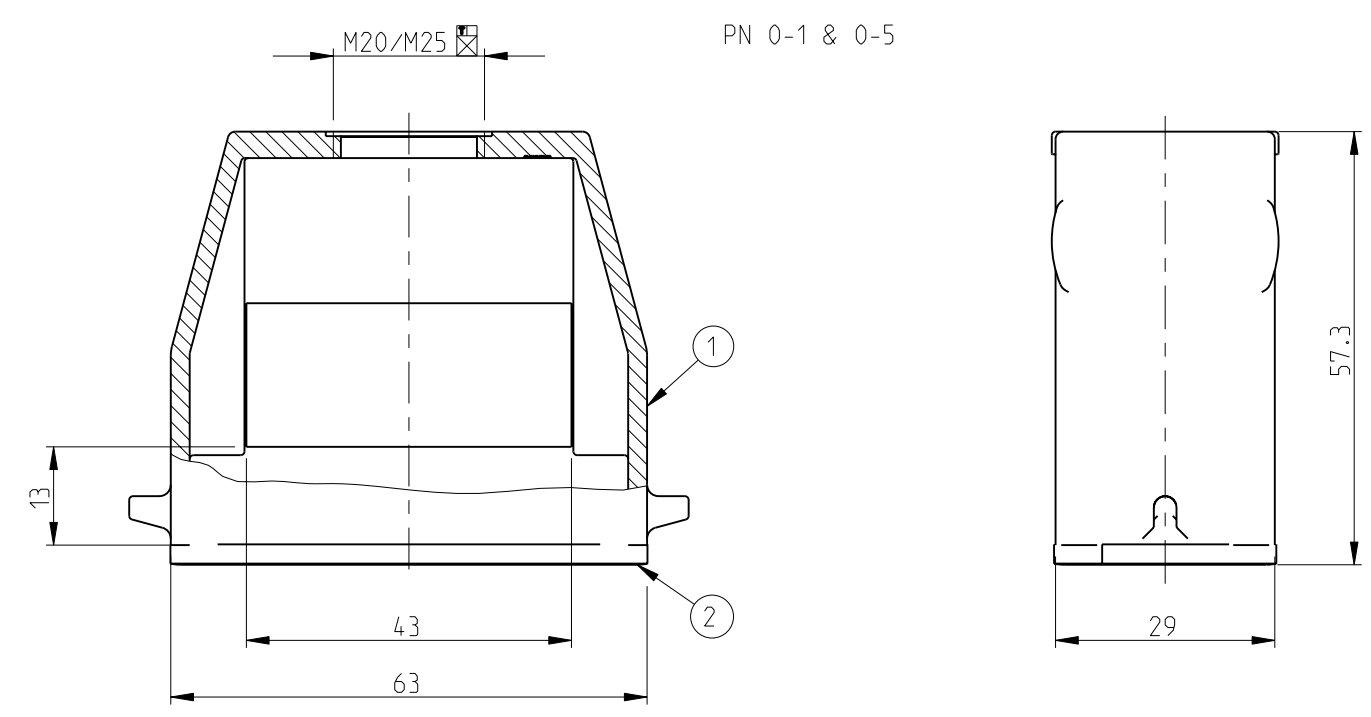
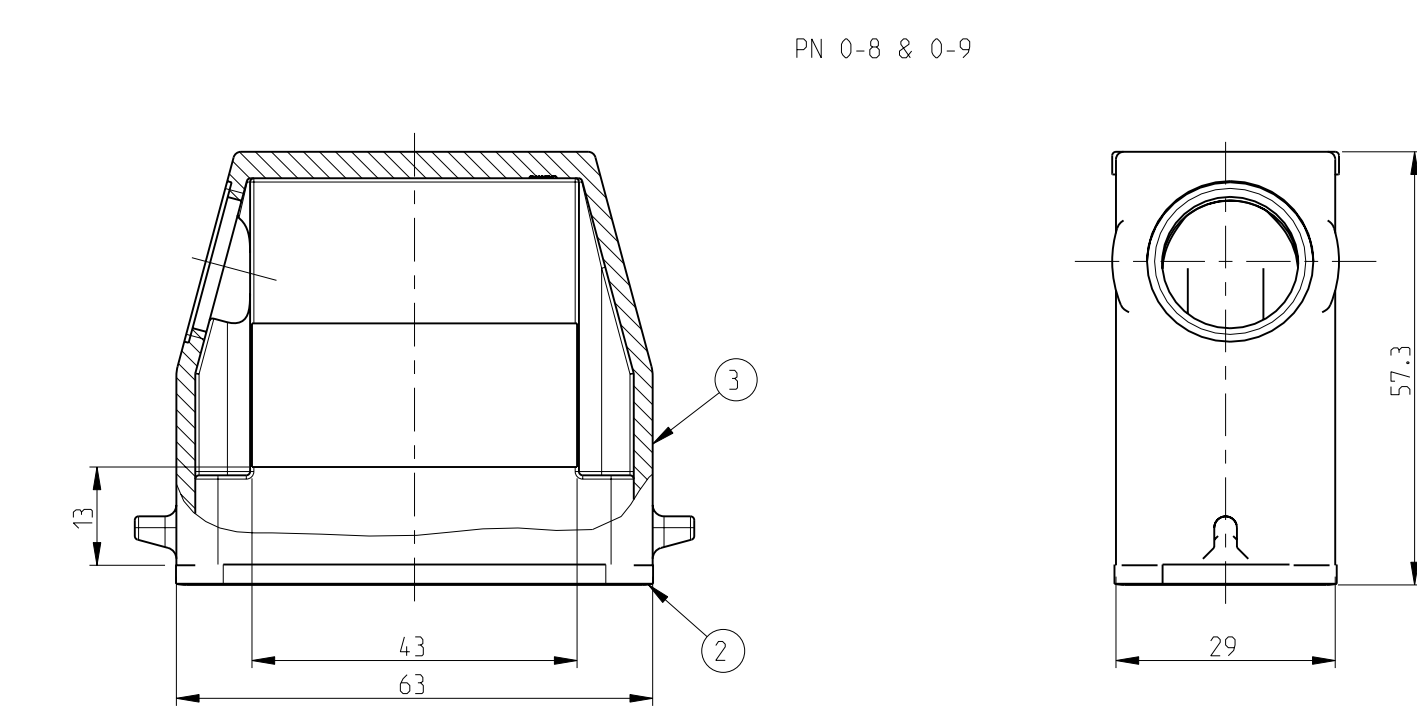
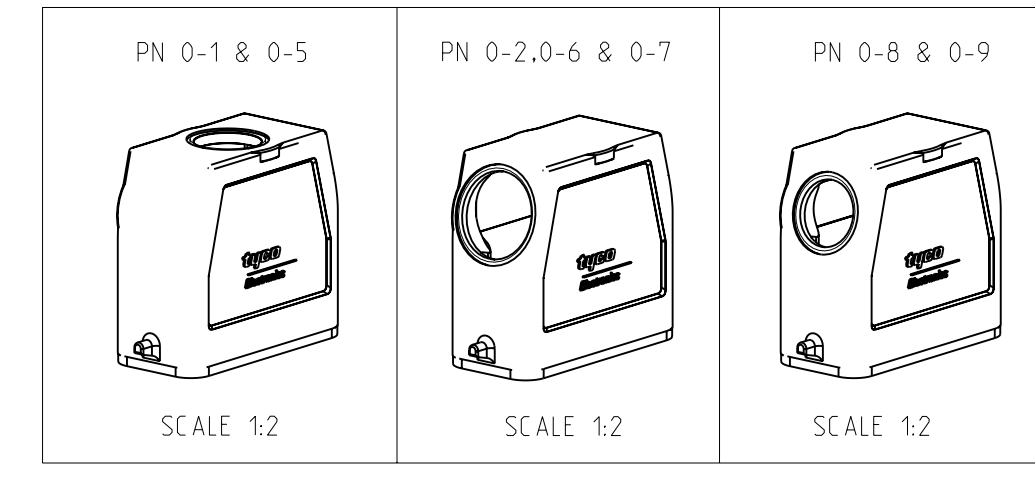
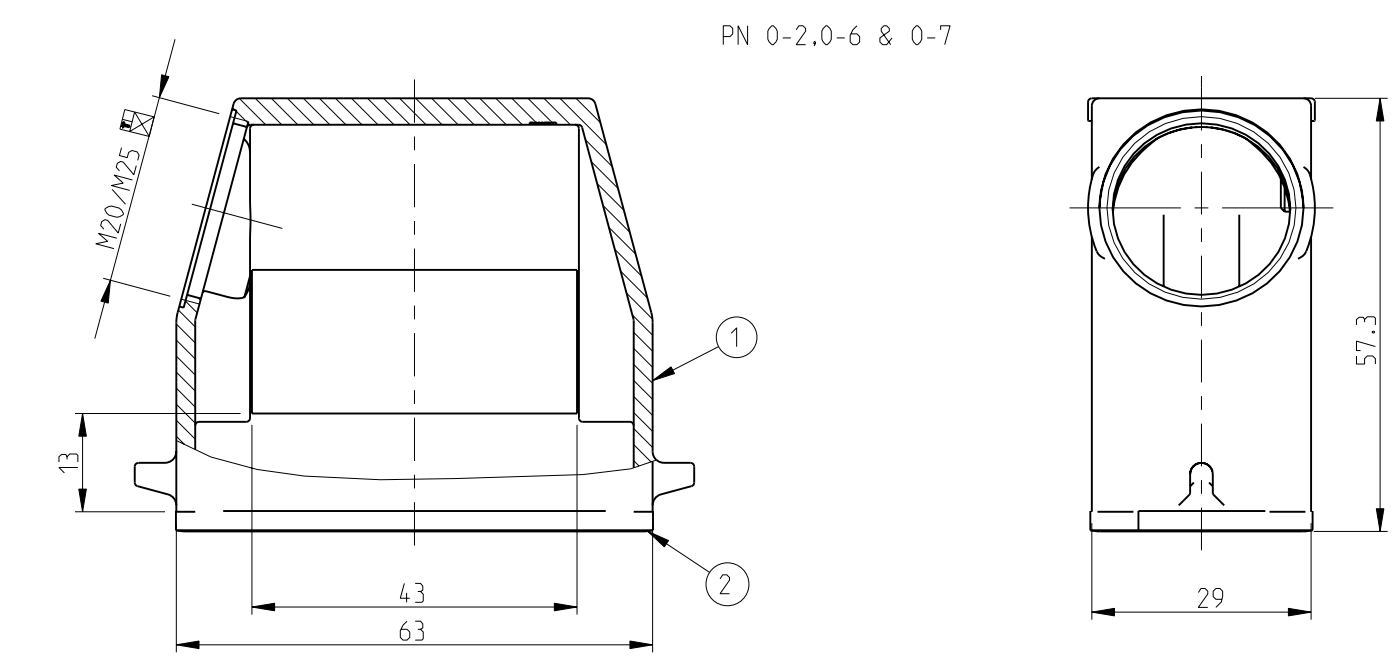


THIS DRAWING IS UNPUBLISHED. RELEASED FOR PUBLICATION .2000
 © COPYRIGHT 2000 BY TYCO ELECTRONICS CORPORATION. ALL RIGHTS RESERVED.

| LOC | DIST | REVISIONS | | | | | |
|-----|------|-----------|-----|-------------------------------|--------------|-----|------|
| | | P | LTR | DESCRIPTION | DATE | DWN | APVD |
| A1 | - | D2 | | Released as per ECR-08-019097 | 30.July.2008 | SP | TS |



- NOTES.
- 1 Material:Housing:Aluminium Diecasting Alloy
Seals:Neoprene
 - 2 Surface:Varnish grey
 - 3 Varnish on the inside not necessary
 - 4 Packaging
Quantity 5 Pieces in a box
- ⚠ Special Packaging



| QTY | ITEM NO | DESCRIPTION | MATERIAL | SURFACE | COLOR | REMARKS |
|-----|---------|--------------|-----------|---------------------------|----------------|---------|
| 1 | 1 | Hood | | Chromital TCP passivation | Black RAL 9005 | 3 |
| 1 | 1 | Profile seal | Neoprene | | Black | 2 |
| | 1 | Hood | Aluminium | | Grey RAL 7001 | 1 |

ORDERING TEXT
 HA.10.STO.1.M20.G
 HA.10.STS.1.M20.G
 HA.10.STS.1.M20.G-KM
 HA.10.STO.1.M25.G
 HA.10.STS.1.M25.G
 HA-EMV.10.STS.1.M20.G
 HA-EMV.10.STS.1.M25.G

THIS DRAWING IS A CONTROLLED DOCUMENT FOR TYCO ELECTRONICS CORPORATION. IT IS SUBJECT TO CHANGE AND THE CONTROLLING ENGINEERING ORGANIZATION SHOULD BE CONTACTED FOR THE LATEST REVISION.

DWN: R.SRINIVAS 03.03.2006
 CHK: R.SRINIVAS 03.03.2006
 APVD: T.SCHNURPFEL 03.03.2006

Tyco Electronics
 Tyco Electronics,AMP.GmbH
 D-53819,Neunkirchen,Germany

NAME: Hood
 HA.10.STO/STS.1.M20.G

SIZE: A2 CAGE CODE: 00779 DRAWING NO: 1106411 RESTRICTED TO: -

MATERIAL: - FINISH: - WEIGHT: -

CUSTOMER DRAWING SCALE: 1:1 SHEET: 1 OF 1 REV: 02