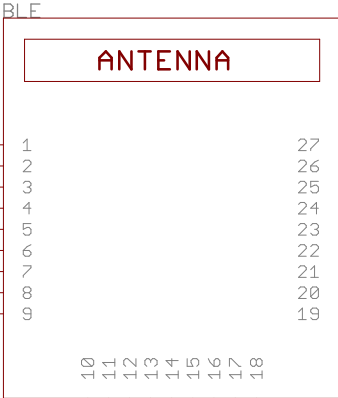
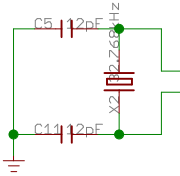
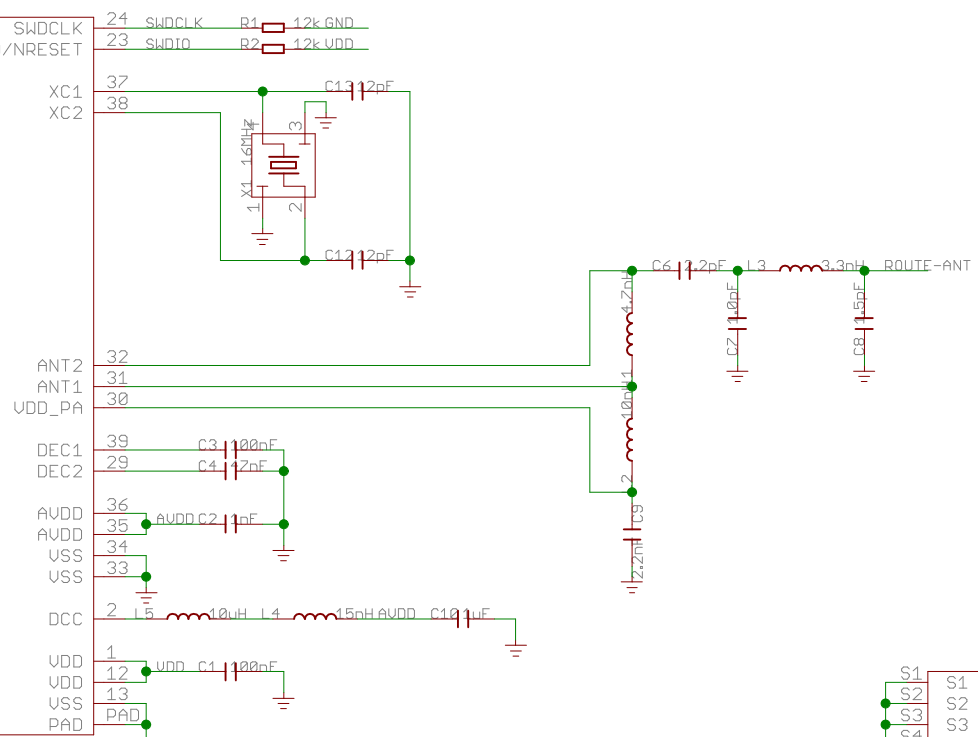
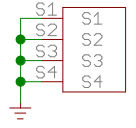


P0	4	J1	nRF51822
P1	5	P0.00/AREF0	SWDCLK
P2	6	P0.01/AIN2	SWDIO/NRESET
P3	7	P0.02/AIN3	
P4	8	P0.03/AIN4	
P5	9	P0.04/AIN5	
P6	10	P0.05/AIN6	
P7	11	P0.06/AREF1/AIN7	
		P0.07	
P8	14	P0.08	
P9	15	P0.09	
P10	16	P0.10	
P11	17	P0.11	
P12	18	P0.12	
P13	19	P0.13	
P14	20	P0.14	
P15	21	P0.15	
P16	22	P0.16	
P17	25	P0.17	
P18	26	P0.18	
P19	27	P0.19	
P20	28	P0.20	
P21	40	P0.21	
P22	41	P0.22	
P23	42	P0.23	
P24	43	P0.24	
P25	44	P0.25	
		P0.26/AIN0/XL2_32768E	
		P0.27/AIN1/XL1_32768I	
P28	47		
P29	48		
P30	3	P0.30	



GND	B1	1	27	B27	GND
P18	B2	2	26	B26	SWDCLK
P17	B3	3	25	B25	SWDIO
P23	B4	4	24	B24	VDD
P24	B5	5	23	B23	P13
P25	B6	6	22	B22	P12
P28	B7	7	21	B21	P11
P29	B8	8	20	B20	P10
P30	B9	9	19	B19	P9

B10	10
B11	11
B12	12
B13	13
B14	14
B15	15
B16	16
B17	17
B18	18



SeedStudio

TITLE: BLE Micro

Design: ??	Check:
Date: 14-5-28 ???:07	Vision:
Sheet: 1/1	