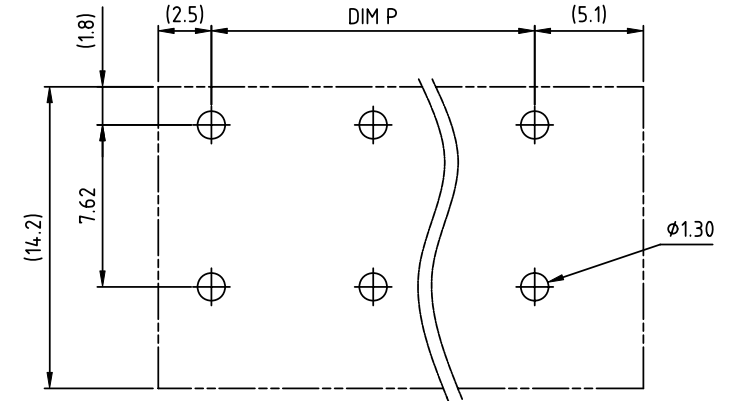
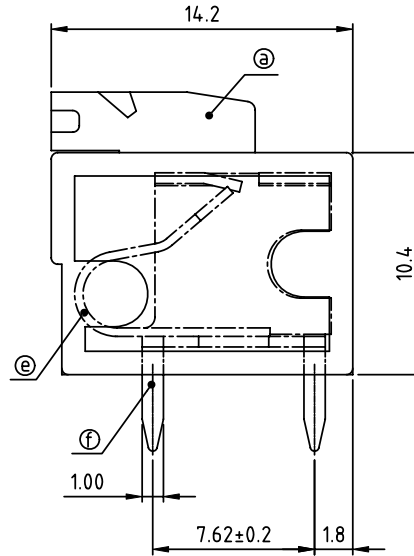
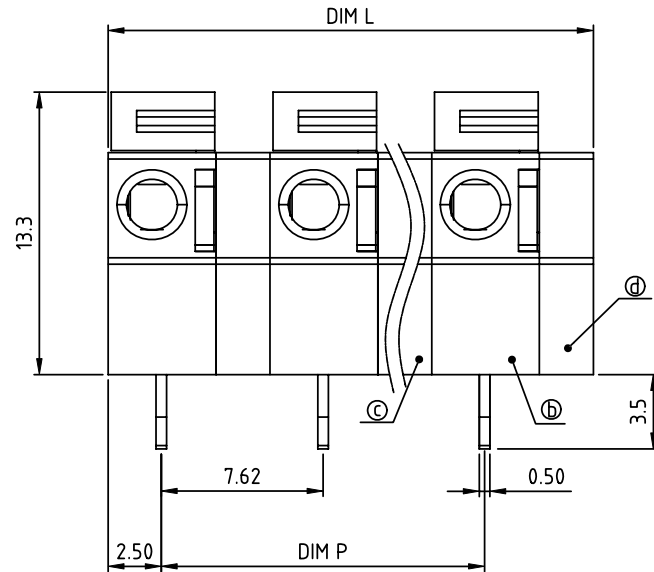


PRODUCT NUMBER	PITCH
HAxx21x000JOG	7.62 mm



RECOMMENDED P.C.B LAYOUT  
TOP VIEW

Material:

- Item (a) Lever: Thermoplastic (UL94V-0) Orange RAL2011/P
- Item (b) Terminal body: Thermoplastic (UL94V-0)
- Item (c) Pad board: Thermoplastic (UL94V-0)
- Item (d) cover: Thermoplastic (UL94V-0)
- Item (e) Spring clamp: Stainless steel
- Item (f) Pin: Brass. Tin plated

Electrical cULus/VDE

- Voltage rating: 300VAC/450VAC
- Current rating: 10A/10A
- Wire range: 0.75-1.5mm<sup>2</sup>
- Solid wire(AWG): 14-24
- Stranded wire(AWG): 14-24
- Pull force:
- Screw:
- Wire strip length: 9-10mm
- Withstanding Voltage: 1.6KV/2.5KV
- Operating temperature: -40°C to +115°C
- Soldering temperature: 260°C±5°C/5 Sec
- Safety Approval: cULus VDE

N=Number of poles  
Dim L=Nx7.62  
Dim P=(N-1)x7.62

Poles	Dim L	Dim P
2-6p	±0.20	±0.20
7-12p	±0.30	±0.25
13-16p	±0.40	±0.30

PART NO.: HA xx 21 x 0 00J0 G

	End stackable	No. of poles	Color	RoHS compliant
0	0	2	Black (RAL9005)	(lead<4%)
02	2 poles	3	Red (RAL3001/D)	In copper Alloy
03	3 poles	4	Orange(RAL2011/P)	
...	...	5	Yellow(RAL1018/A)	
...	...	6	Green(RAL6018/T)	
16	16 poles	6	Blue (RAL5015/A)	
		8	Grey(RAL7004/P)	
		9	White(RAL1102)	
		C	Multiple colors	

mat'l. code		surface ASME Y14.5	tolerance ASME Y14.5	projection	product family	
ltr	ecn no	dr	date	MM	TERMINAL BLOCK	
tolerances unless otherwise specified				MM	title	
angles	0	X.±0.5		scale	TERMINAL BLOCK	
0	X.X±0.3		scale			SPRING CLAMP, 180D WIRE INLET
X*±1"	X.XX±0.1			dwg no	sheet 1 of 1	
dr	EVIN ZHONG	052314		FCI	HAxx21x000JOG	
enr	EVIN ZHONG	052314				A4
chr	HANKE FENG	052314				
appd	SHI JUN	052314				
sheet index	revision sheet	A	1	type	CUSTOMER Drawing	