

## SUMMARY



Image is for illustrative purpose only

### # Wires

Low	0
High	0
Coax	1
Triax	0
Quad	0
Fiber	0
Fluidic	0

### Download

[Request a quote](#)

[Catalog](#)

Series	0S
Termination type	Female solder
IP rating	50
Cable Ø	.10 - 0.00 mm
Matching parts	
Status	
Alternative part	

## TECHNICAL DETAILS

### Mechanics

Shell Style/Model	ABA*: Adapter socket LEMO - plug BNC
Keying	
Housing Material	Brass (nickel plated) shell, collet nut, latch sleeve and mid pieces
Cable Fixing	∅0.1 - 0 mm
Variant	

### Performance

Configuration	0S.250 : 1 Coax (50 Ohm)
Insulator	T: PTFE
Rated Current	6 Amps

### Specifications

Contact Type:	Coaxial 50 Ohm
Max. Matings:	1000
Contact Dia.:	0.9 mm (0.04in)
Vtest:	3000 V (AC), 4200 V (DC)
Impedance:	50 Ohm
VSWR:	1.02 + 0.25 * f /GHz

Cable type: RG 178 B/U, RG 196 A/U, RG 188 A/U, RG 316 B/U, RG 174 A/U, HF-2114, RG 122 /U

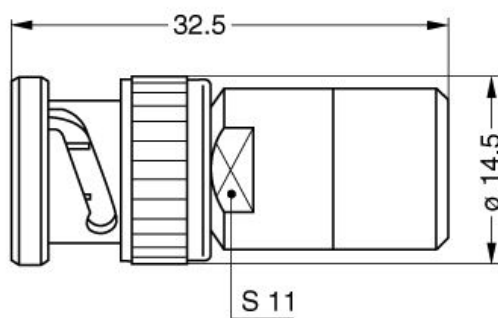
## Others

Endurance (Shell): 5000 mating cycles  
Temp (min / max): -55°C / +250°C  
Humidity (max): ≤95% [at 60 deg C / 140 F]  
Vibration: 15 g [10 Hz - 2000 Hz]  
Shock Resistance: 100 g [ 6 ms]  
Salt Spray Corrosion: >1000 hr  
Climatical Category: 50/175/21  
Shielding (min): 75 dB (10 MHz)  
Shielding (min): 40 dB (1 GHz)  
IP Rating: 50

---

## DRAWINGS

### Draws



### Dimensions

---

## RECOMMENDED BY LEMO

### Tools

None

### Cables

