

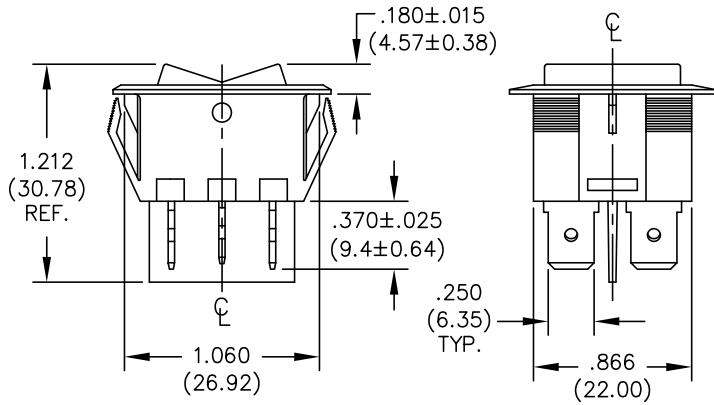
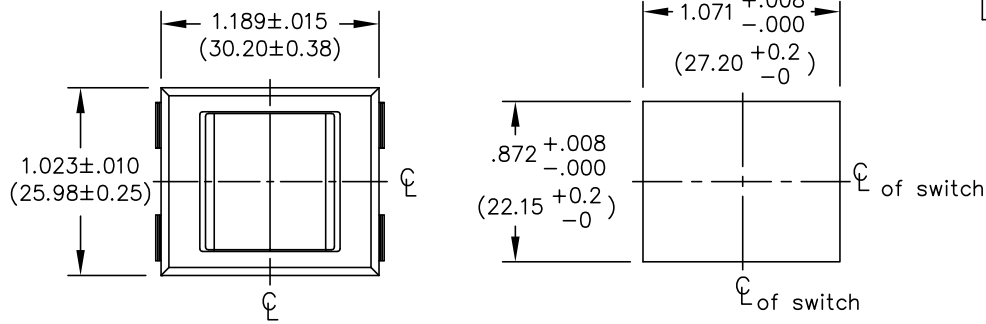
THIS INFORMATION IS CONFIDENTIAL AND PROPRIETARY TO CW INDUSTRIES INCORPORATED AND ITS AFFILIATES. IT MAY NOT BE DISCLOSED TO ANYONE, OTHER THAN CW INDUSTRIES PERSONNEL, WITHOUT WRITTEN AUTHORIZATION FROM CW INDUSTRIES INCORPORATED, SOUTHAMPTON, PENNSYLVANIA USA.

DIMENSIONS IN INCHES (MILLIMETERS)  
DO NOT SCALE DRAWING .....

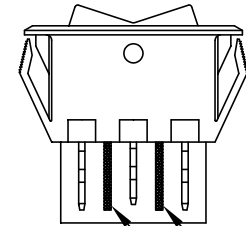
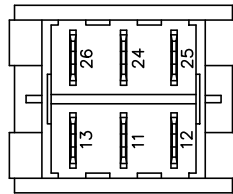
Dwg. No.  
GR-2023A-XXXX

PANEL THICKNESS  
.025" to .150"  
(0.64mm to 3.81mm)

PANEL PIERCING



BOTTOM VIEW



INSULATING BARRIERS  
BETWEEN TERMINALS  
OPTIONAL

B-FORMAT 2002

REVISIONS

1 2 3 4 5 6 7 8 9 10

**CW INDUSTRIES**  
Southampton, Pa. 18966

TOLERANCES UNLESS OTHERWISE SPECIFIED  
2 Place Decimal ±.010 METRIC  
3 Place Decimal ±.005 1 Place Dec. ±.25mm  
Angles ..... ±1' 2 Place Dec. ±.13mm

Made for: CW IND.  
Drawn by: DGW 8-03-2010  
Checked by:  
Approval:

Title: PANEL MOUNT  
ROCKER SWITCH  
D.P.- D.T.- C.O.  
(ON-OFF-ON) W/OPTIONS

Division: SWITCH  
Dwg. No. GR-2023A-XXXX