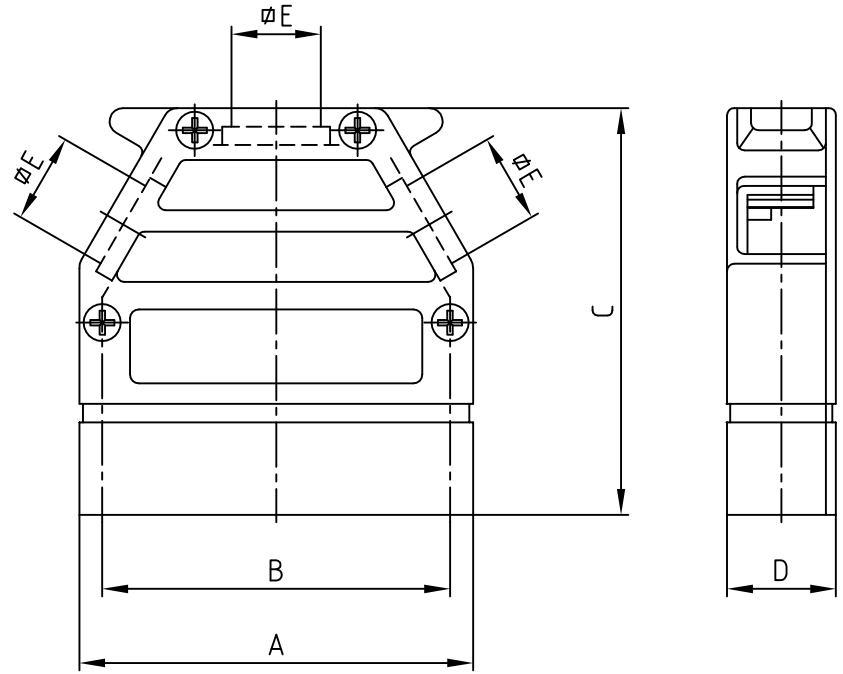
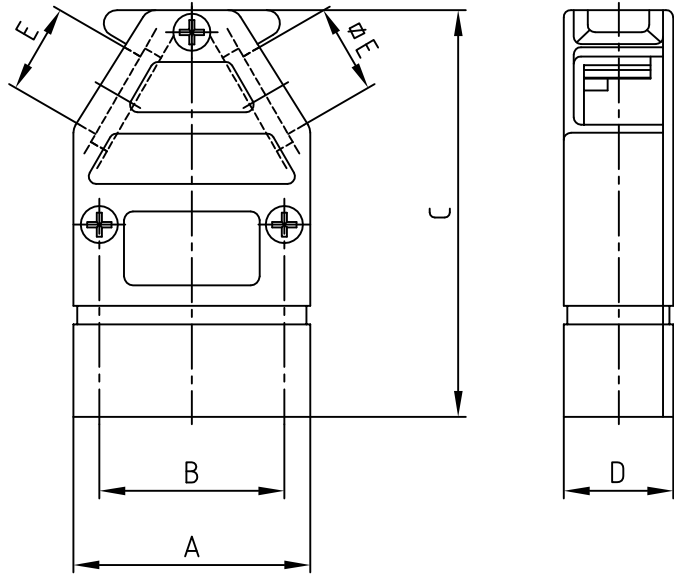


used for: D-SUB

9pos.

15-50pos.



(b)

No. of pos.	A	B	C	D	ØE	Part-No.
9	32.0	25.00	55.0	14.8	12.1	165X11159X
15	39.3	33.30	55.0	14.8	12.1	165X10869X
25	53.2	47.04	55.0	14.8	12.1	165X10879X
37	69.5	63.50	55.0	14.8	12.1	165X10889X
50	67.0	61.10	55.0	17.8	14.6	165X10899X

(c) Delivery includes:

- Hood with cover
- Blanking plug:
 - 9pos.: with 1 blanking plug
 - 15-50pos.: with 2 blanking plugs
- Screws for fixing:
 - 9pos.: with 3 screws
 - 15-50pos.: with 4 screws
- 1 earth screw

Directive 2002/95/EC RoHS compliant

THIS DRAWING MAY NOT BE COPIED OR REPRODUCED IN ANY WAY, AND MAY NOT BE PASSED ON TO A THIRD PARTY WITHOUT WRITTEN PERMISSION. OWNERSHIP AND COPYRIGHT OF CONEC GmbH DO NOT ALTER CAD DRAWING BY HAND

tolerance		dim. in mm	
2005	date	name	
drawn	18.10.	Lehmenkühler	
appd.	19.10.	Mickenbecker	
norm			
1 x c	Ä 4037	19.07.11	Lehmen, d-old
1 x b	Ä 3264	29.01.09	Sonne
a	Original		
rev.	description	date	name

scale:	1:1	
material:	HOOD WITH COVER: DIE-CAST ZINC	
title:	METAL HOOD EMI/RFI SHIELDING 9-50pos.	
dwg no:	16K1A1526	DIN-A 3 sh:1/1
part no:	SEE TABLE	

CONEC®