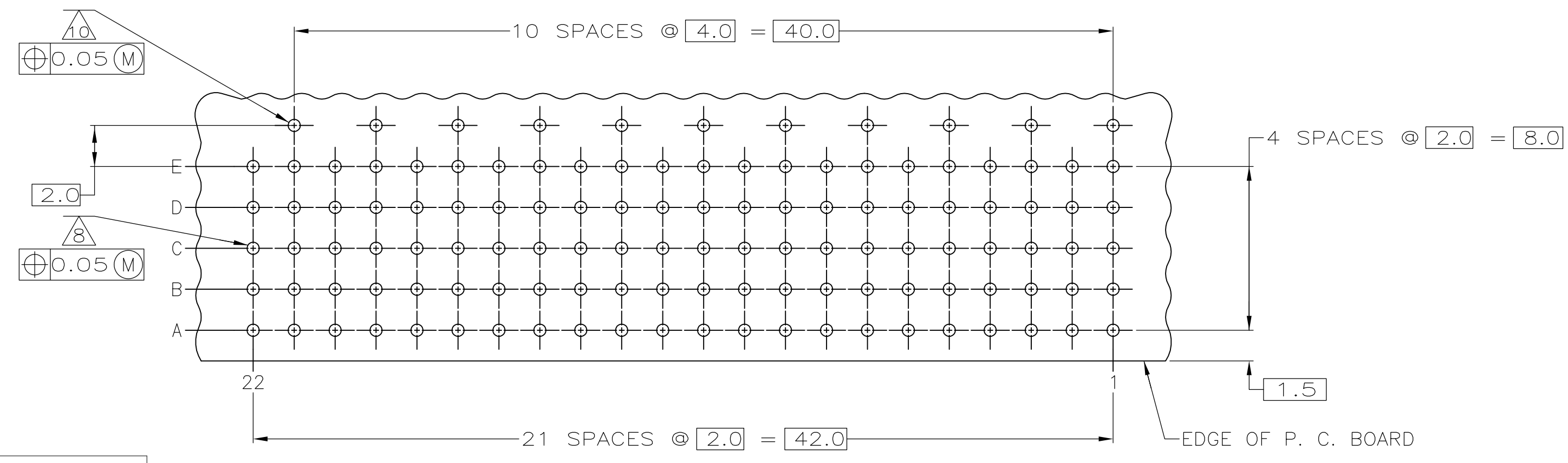
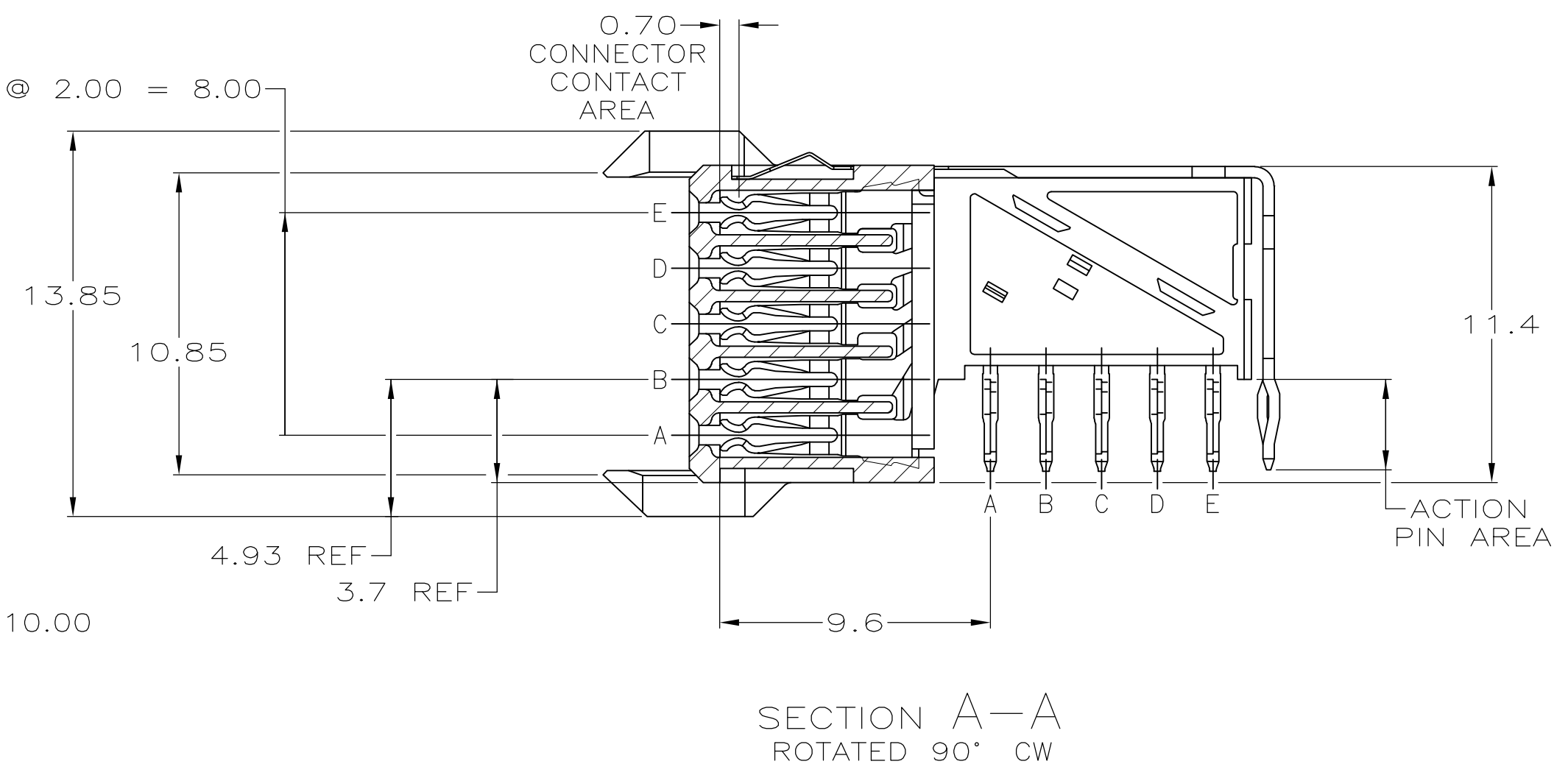
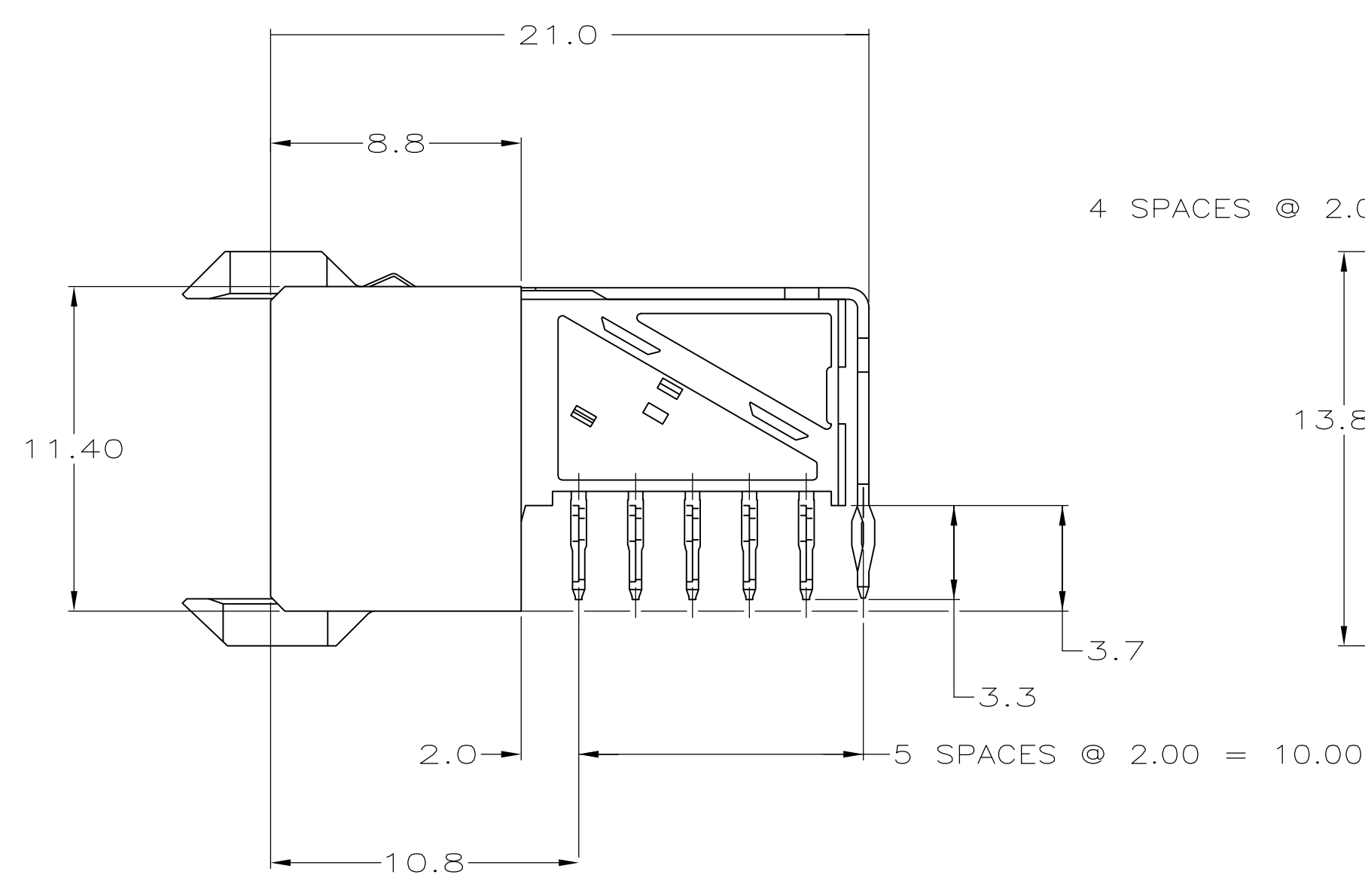
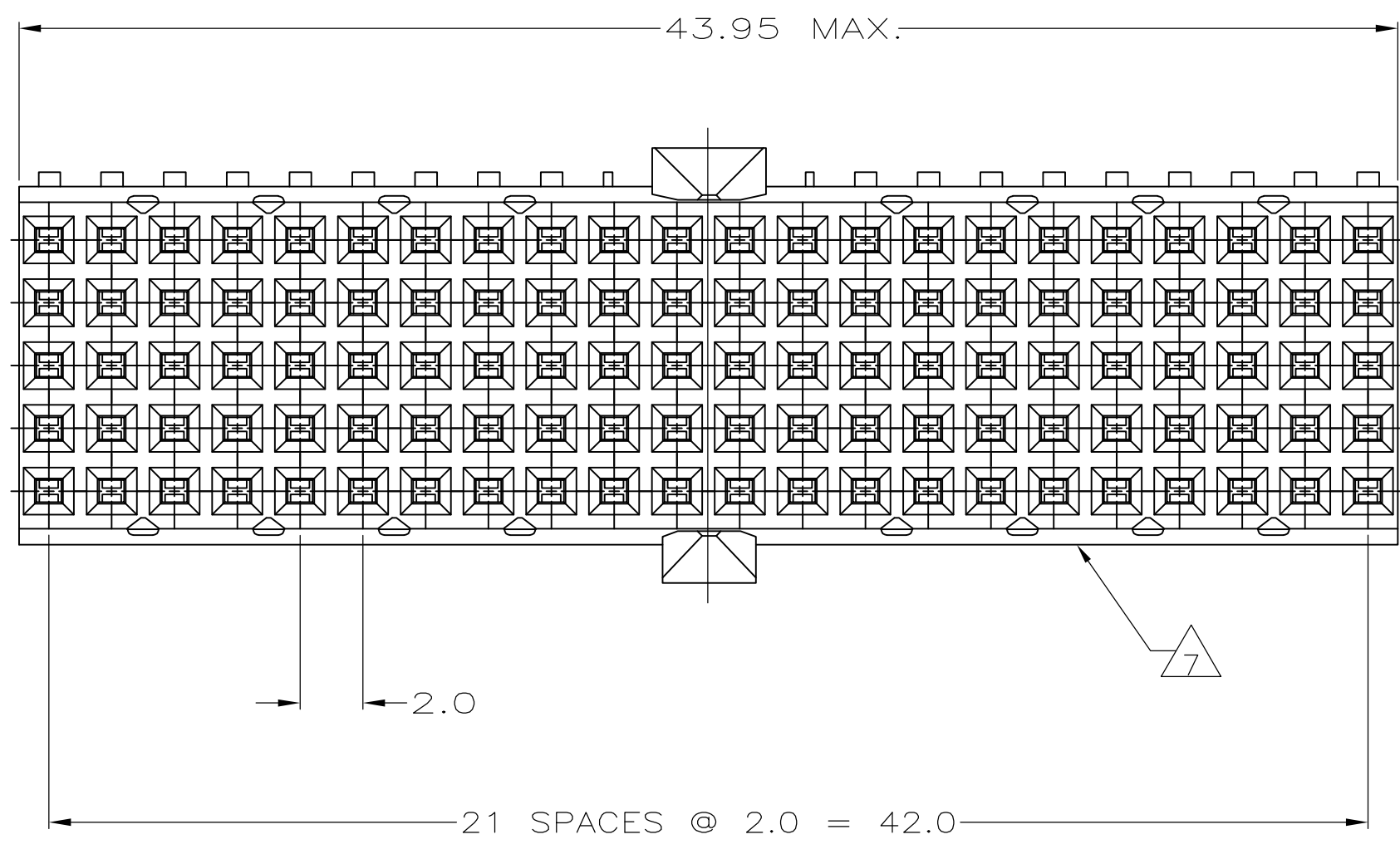
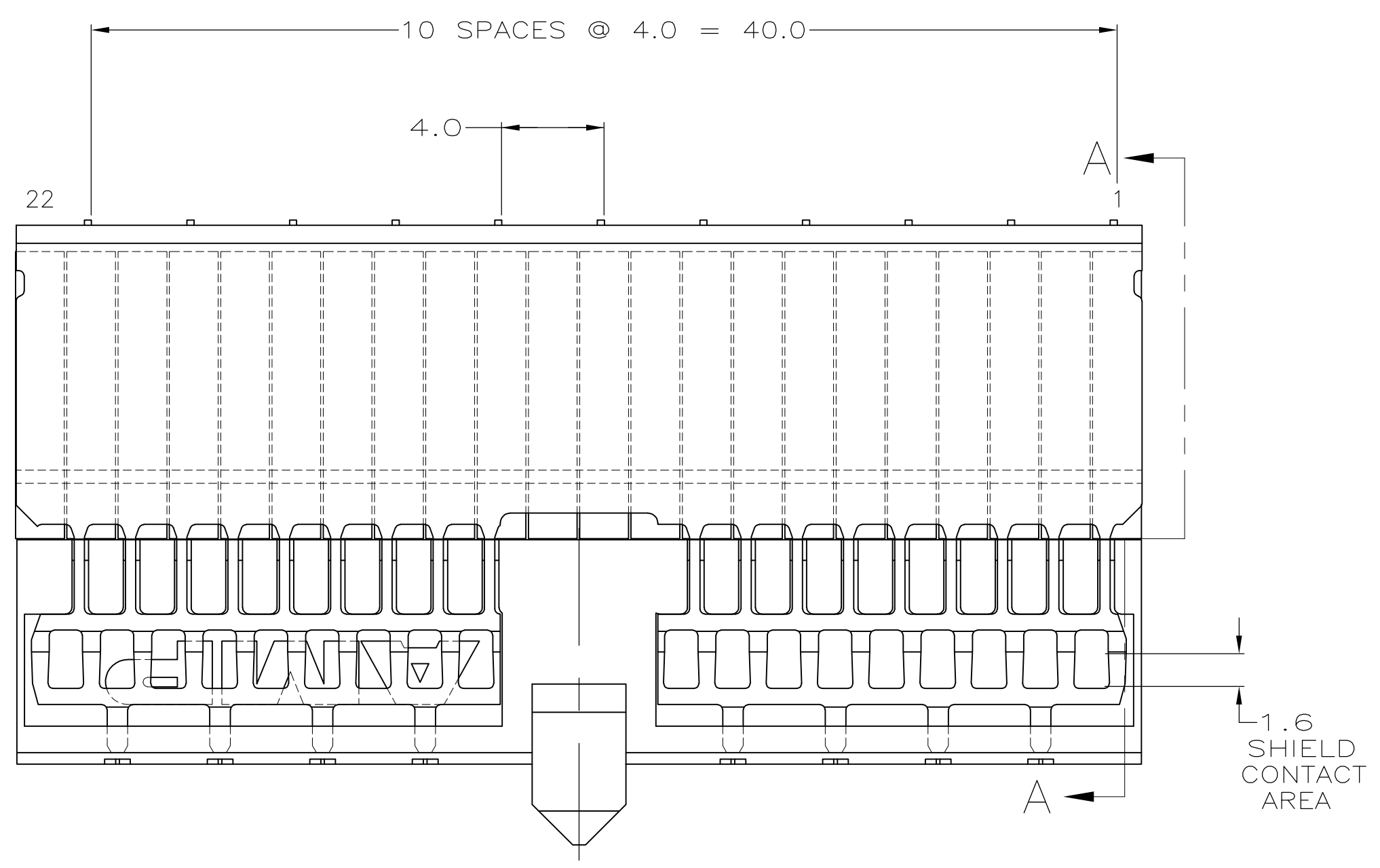


LOC	DIST	REVISIONS			
F	LTR	DESCRIPTION	DATE	DN	APVD
B2		REV PER ECR-09-027136	11DEC2009	JY	SY
C		ECR-10-018652	10SEP10	SW	MQW
D		ECO-11-024491	13DEC11	SY	MQW
E		ECR-12-010544	05DEC12	SY	AC



PLATED THRU HOLES PARAMETERS
 REFERENCE APPLICATION SPECIFICATION

RECOMMENDED PCB-HOLE LAYOUT
 COMPONENT SIDE SHOWN
 SCALE 2.5:1

- 1 MATERIAL:
 CONTACT: PHOSPHOR BRONZE.
 HOUSING: GLASS-FILLED POLYESTER.
- 2 GENERAL PLATING SPECIFICATION: UNDERPLATING
 (ENTIRE CONTACT): 1.27µm MIN NICKEL AND ACTION
 PIN: 0.5µm MIN TIN/LEAD.
 FOR PLATING OF MATING SURFACES SEE APPLICABLE
 SPECIFICATION REFERENCE FOR EACH DASH NUMBER.
- 3 CONFORMS TO ALL TESTING ACCORDING TO IEC 61076-4-101
 PERFORMANCE LEVEL 2.
- 4 CONFORMS TO ALL TESTING ACCORDING TO IEC 61076-4-101
 PERFORMANCE LEVEL 1.
- 5 CONNECTOR TESTED AND QUALIFIED AGAINST TELCORDIA GR-1217-CORE QUALITY LEVEL 3,
 CENTRAL OFFICE APPLICATIONS.
- 6 CONNECTOR TESTED AND QUALIFIED AGAINST TELCORDIA GR-1217-CORE QUALITY LEVEL 3,
 UNCONTROLLED ENVIROMENT APPLICATIONS.
- 7 CONNECTOR MARKED WITH PART NUMBER AND DATE CODE.
 ADDITIONAL CHARACTERS OR MARKINGS, AS WELL AS THE LOCATION OF THE MARKINGS,
 MAY BE ADDED FOR TRACEABILITY BASED UPON MANUFACTURERS DISCRETION.
- 8 PLATED-THROUGH HOLES AT 2x2mm SQUARE GRID
 PATTERN DEFINED BY CONTACT LAYOUT.
- 9 CONNECTOR LUBRICATED WITH BELCORE APPROVED LUBRICANT,
 TECHNICAL REFERENCE: TR-NWT-001217 ISSUE 1, SEP 1992.
- 10 PLATED THROUGH HOLES FOR UPPER SHIELD, ROW F.
- 11. SHIELD MOUNTED TO CONNECTOR WITH DOUBLE SIDED ADHESIVE TAPE OR ADHESIVE.
- 12 0.76µm MIN GOLD PLATING AT MATING SURFACES.

FINISH	PART NUMBER
2 3 12	3-646489-0
2 6 9	1-646489-9
2 5 9	646489-9
2 4	646489-4
2 3	646489-1

THIS DRAWING IS A CONTROLLED DOCUMENT.		DIN B CARDO 06DEC05	Tyco Electronics Corporation 's-Hertogenbosch, Nederland	
DIMENSIONS: mm		CIK G SKIPPER 06DEC05	APVD G SKIPPER 06DEC05	
TOLERANCES UNLESS OTHERWISE SPECIFIED:		NAME RECEPTACLE ASSEMBLY, Z-PACK 2mm HM, TYPE A/B, PRE-SHIELDED, 110 POSITION		
0-PLC ±	±0.2	SIZE A1		
1-PLC ±0.2	±0.2	CAGE CODE 00779		
2-PLC ±0.02	±0.2	DRAWING NO. 646489		
3-PLC ±	±	SCALE 5:1		
4-PLC ±	±	SHEET 1 OF 1		
ANGLES ±	±	REV E		
MATERIAL	FINISH SEE TABLE	CUSTOMER DRAWING		