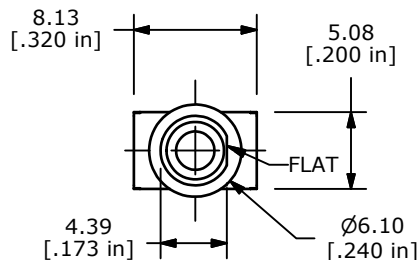
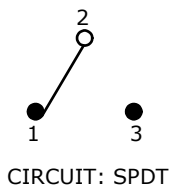


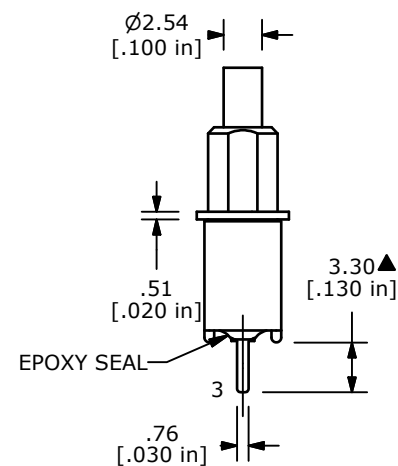
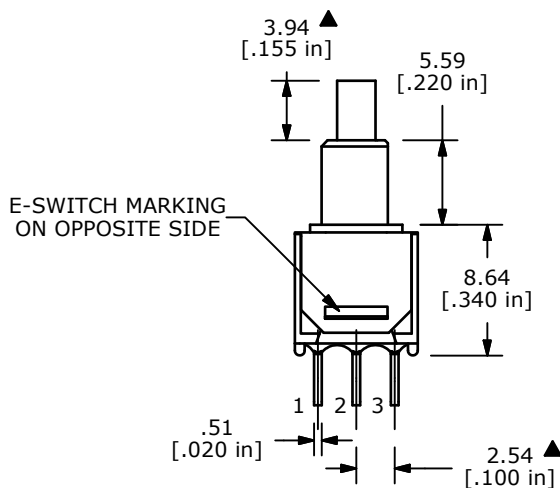
| SWITCH FUNCTION |        |
|-----------------|--------|
| POS. 1          | POS. 2 |
|                 |        |
| ON              | (ON)   |
| 2-1             | 2-3    |

(ON)=MOMENTARY



NOTE:

1. ALL DIMENSIONS IN MM [INCH]
2. GENERAL TOLERANCE: X.X=±0.4  
X.XX=±0.25
3. TERMINAL NUMBERS FOR REF ONLY
- ▲4. CONTACT MATERIAL: SILVER
- ▲5. RATING: 1A @ 250 VAC  
3A @ 120 VAC OR 28 VDC
6. MECHANICAL LIFE: 50,000 MAKE-AND-BREAK CYCLES
7. CONTACT RESISTANCE: 20 mΩ MAX. INITIAL @ 2-4VDC  
100mA FOR BOTH GOLD AND SILVER CONTACTS
8. INSULATION RESISTANCE: 1,000 MEGA-OHM MIN.
9. DIELECTRIC STRENGTH: 1,000 V RMS @SEA LEVEL.
10. OPERATING TEMP.: -30°C to 85°C
11. ▲ DENOTES CRITICAL PARAMETER.
12. 2002/95/EC (ROHS) COMPLIANT



TITLE 800SP8B6M2QE

|     |        |                |          |     |
|-----|--------|----------------|----------|-----|
| C   | 19965  | UPDATE DRAWING | 05/31/11 | BMA |
| REV | PCR NO | DESCRIPTION    | DATE     | BY  |

THE INFORMATION CONTAINED IN THIS DOCUMENT IS PROPRIETARY TO E-SWITCH AND IS NOT TO BE COPIED OR TRANSFERRED

|       |           |     |         |     |
|-------|-----------|-----|---------|-----|
| SCALE | DATE      | DR  | DWG     | REV |
| 2:1   | 5/26/2011 | BMA | T822028 | C   |