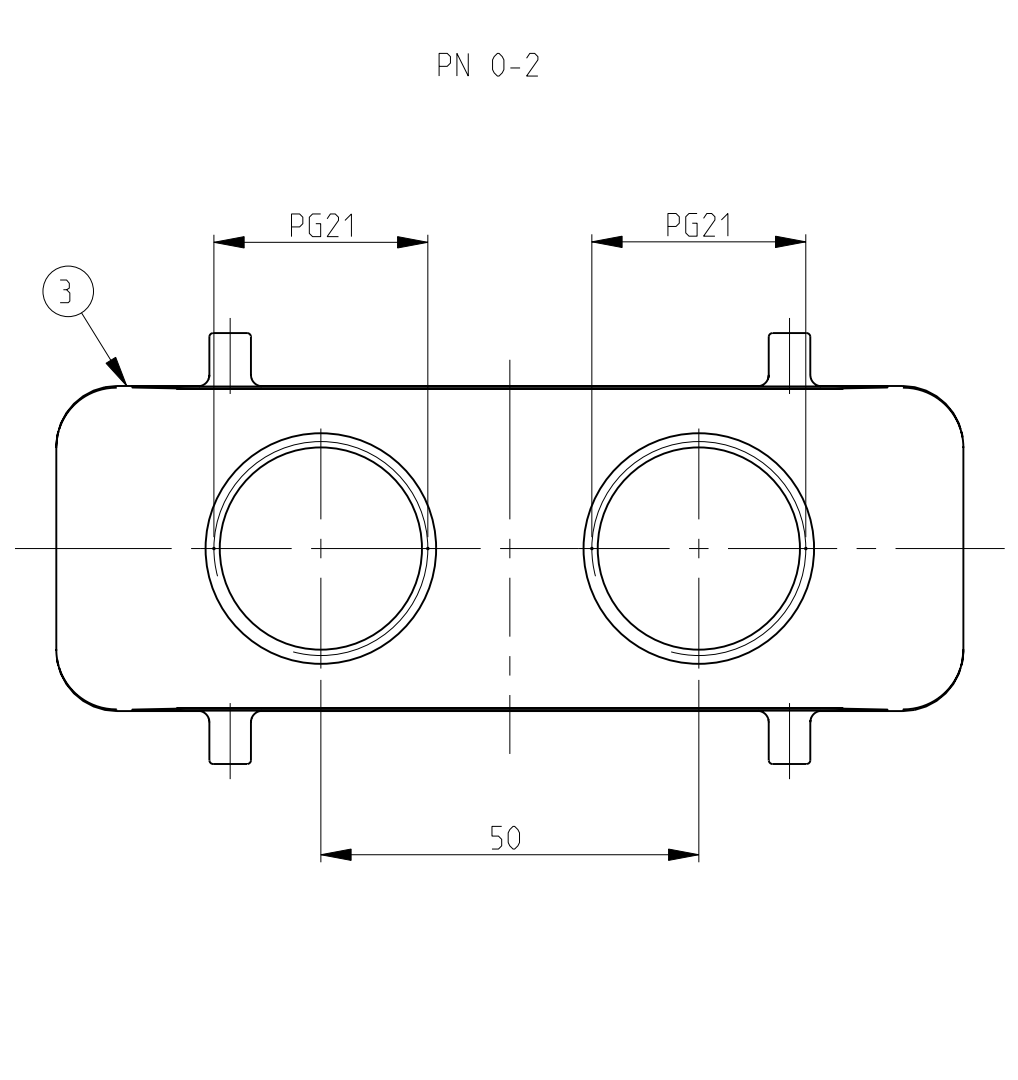
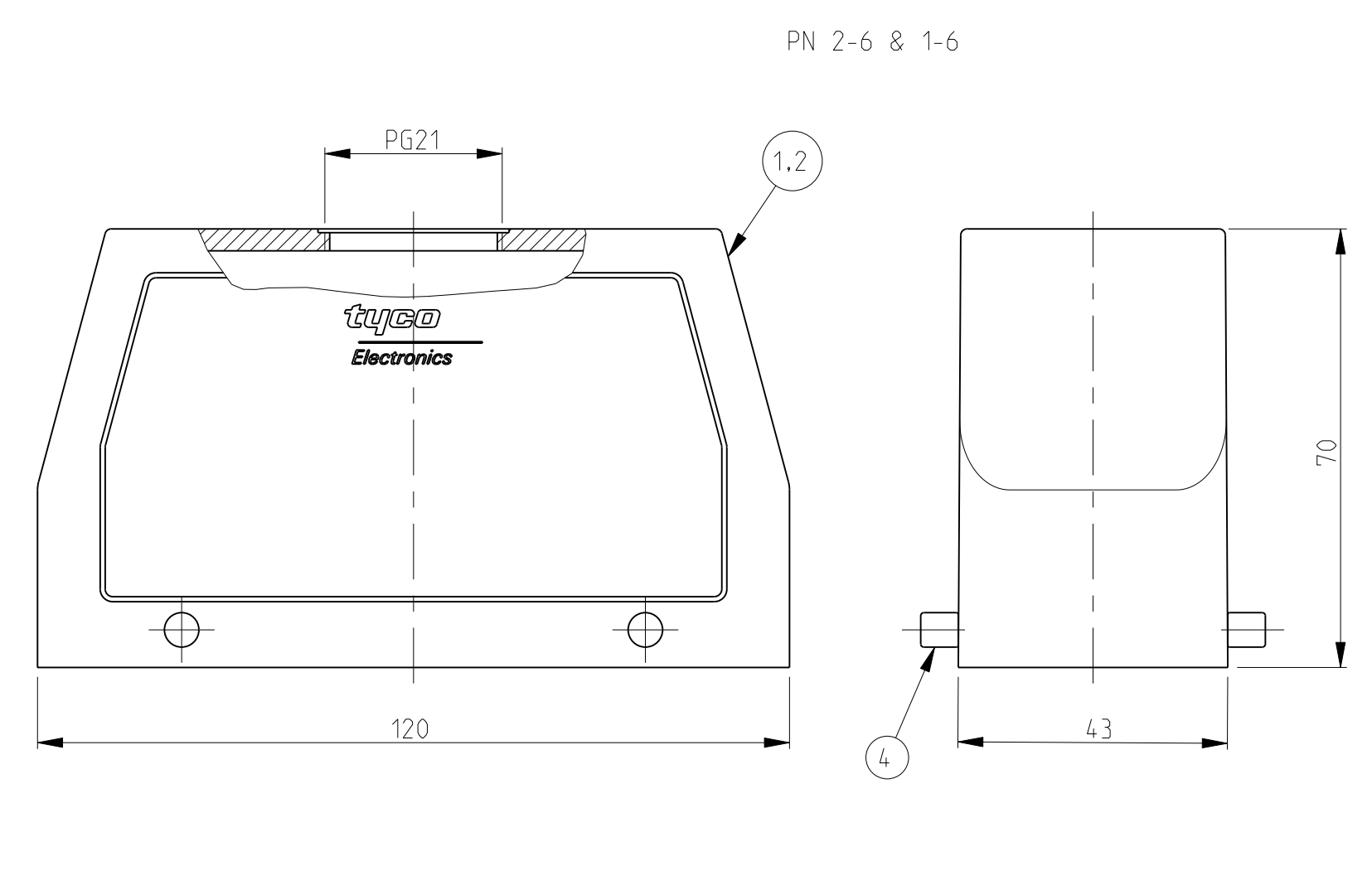
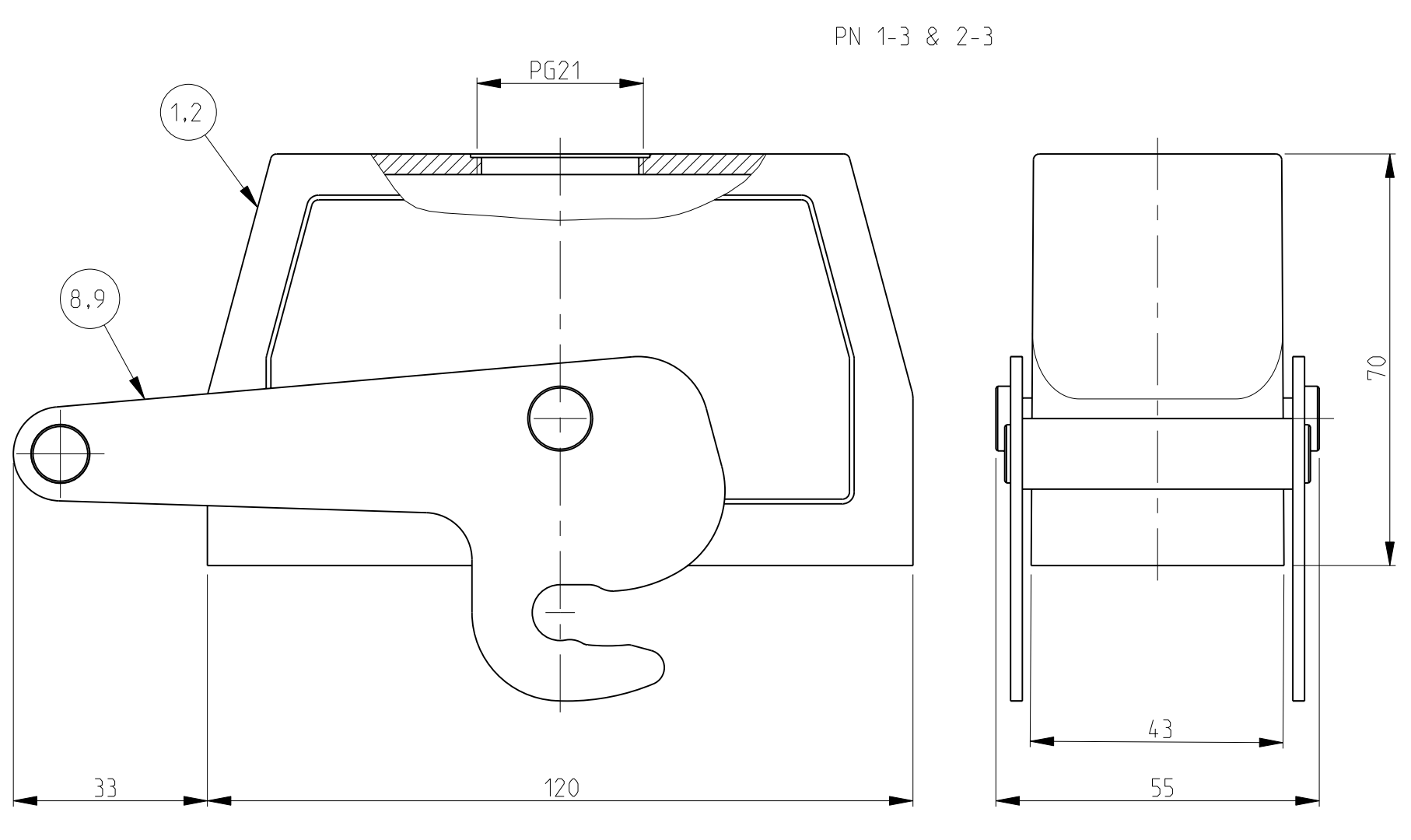
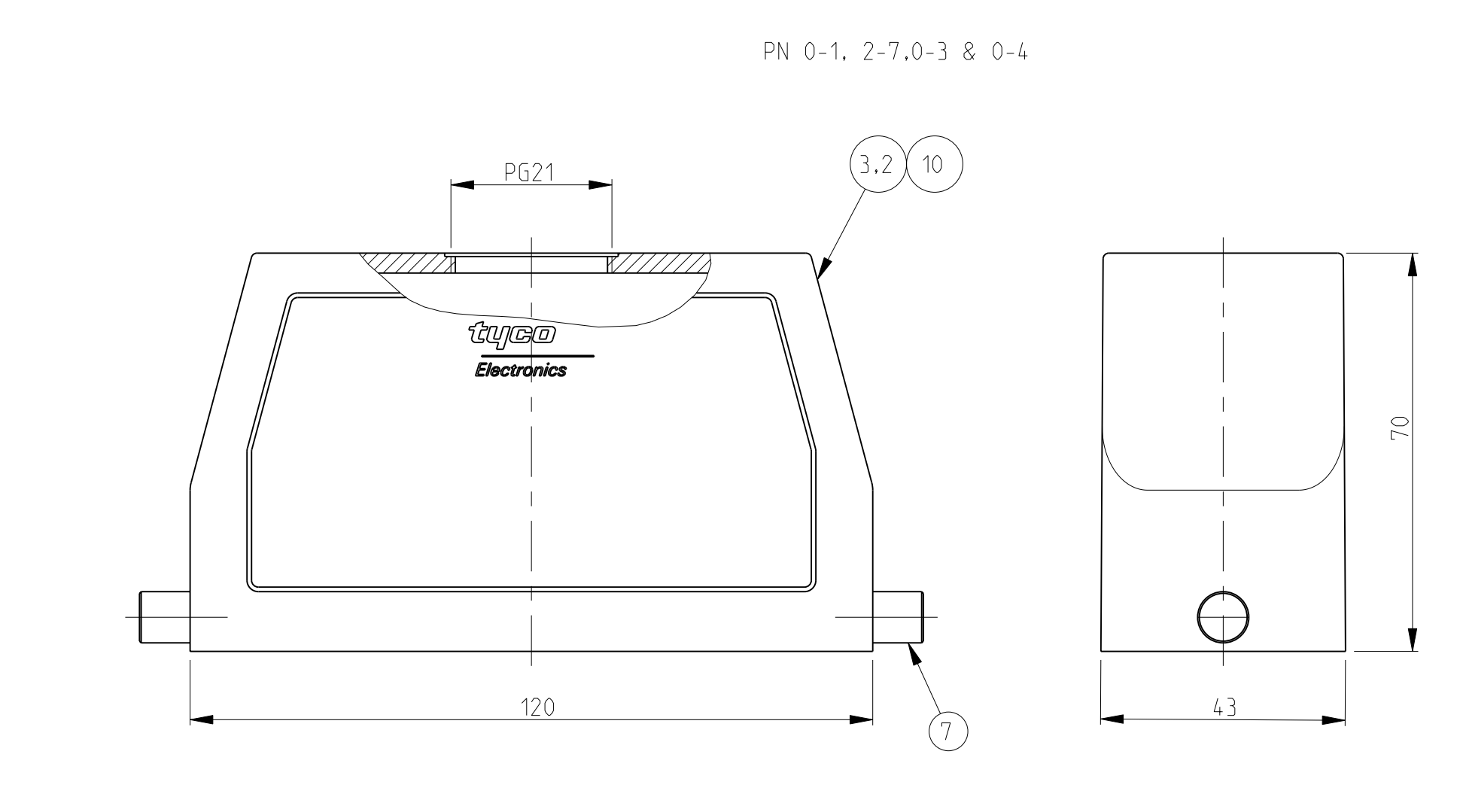
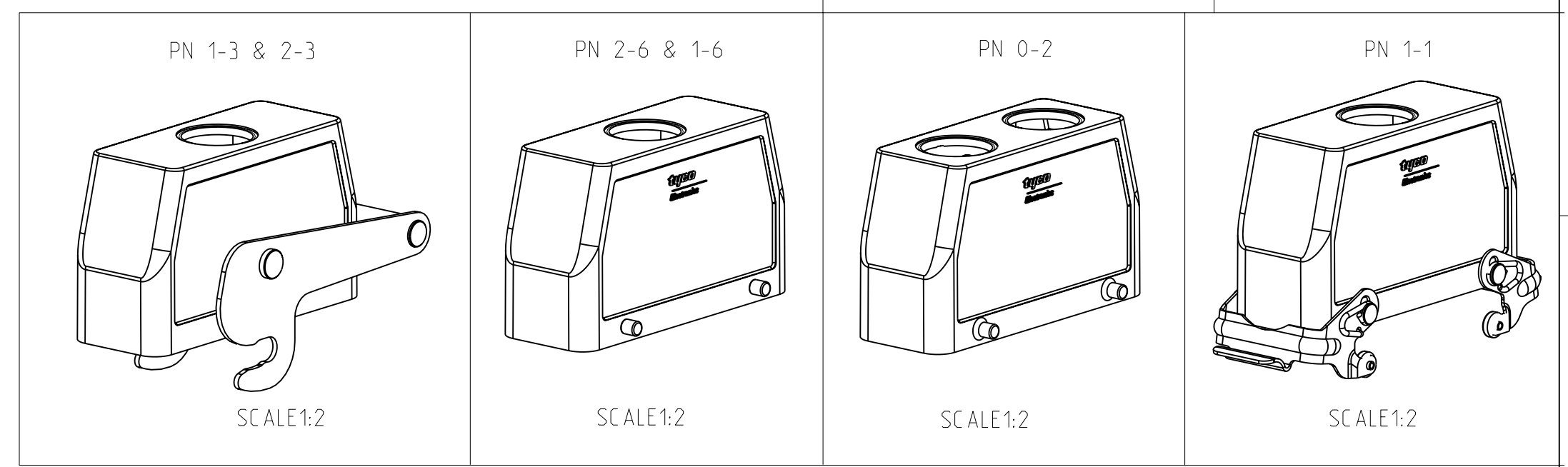
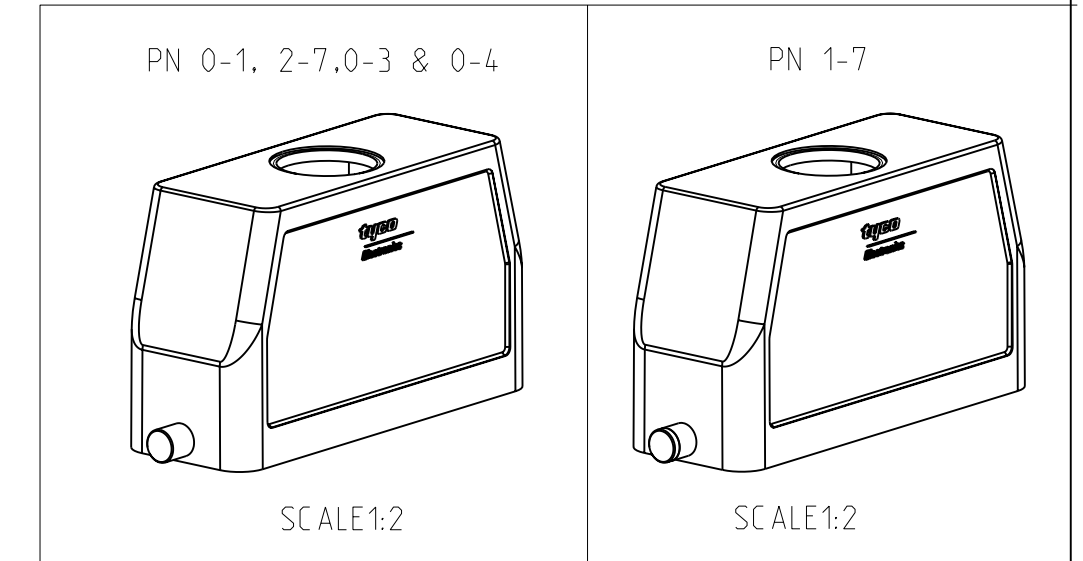
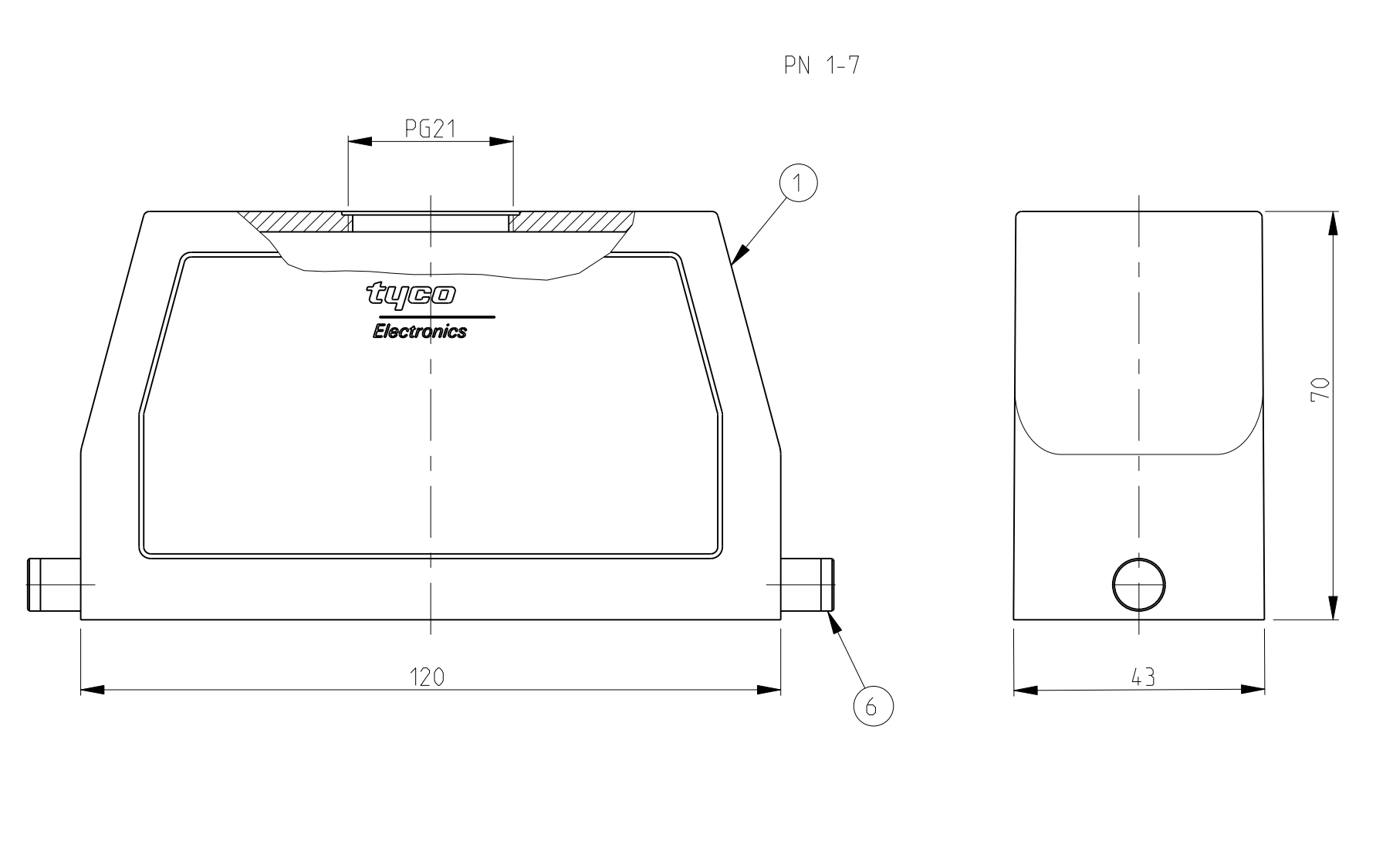
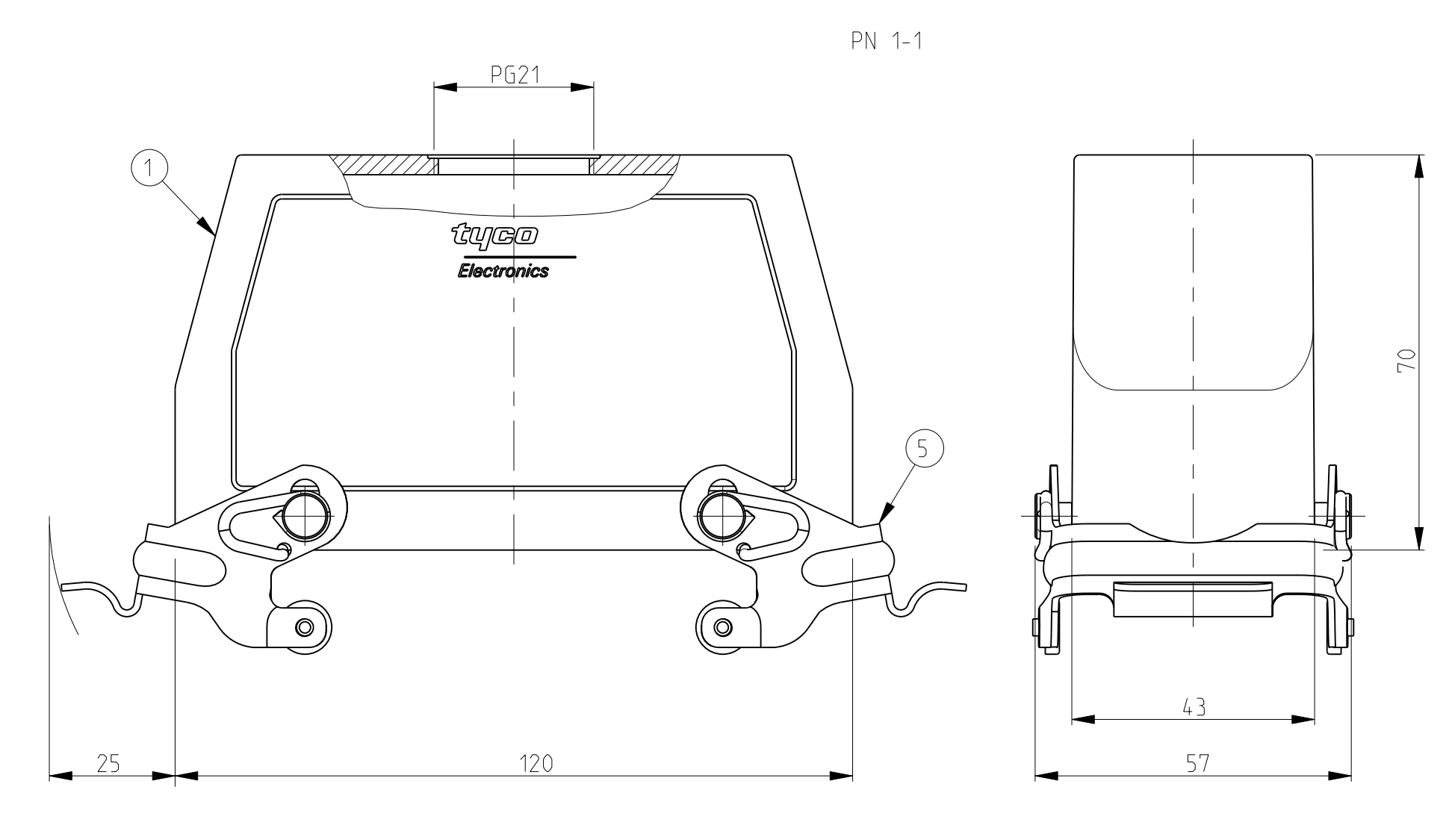


LOC	DIST	REVISIONS			
P	LTR	DESCRIPTION	DATE	DWN	APVD
A6		Released as per ECR-07-019955	22.08.07	SK	TS



- NOTES.
- Material:Housing:Aluminium Diecasting Alloy
  - Surface-Powder Varnish Grey  
-Aluminium Oxide +  
Varnish Black
  - Varnish on the inside not necessary



QTY	ITEM NO	DESCRIPTION	MATERIAL	SURFACE	COLOR	ITEM NO	NOTES									
1		HB-K Hood	Aluminium	Aluminium Oxide	No varnish	10										
	1	ZB-Central clip	Stainless Steel	Blank		9										
	1	ZB-Central clip	Steel	Zinc Plated	Blue	8										
2	2	LB-Clip bolt	Stainless Steel	Blank		7										
	2	LB-Clip bolt	Steel	Zinc Plated	Blue	6										
	2	VS-Locking clip	Steel	Zinc Plated	Blue	5										
	4	VS-Clip bolt	Stainless Steel	Blank		4										
1	1	HB Hood	Aluminium	Aluminium Oxide	No varnish	3										
1	1	HB-K Hood	Aluminium	Aluminium Oxide	Black	2										
1	1	HB Hood	Aluminium		Grey	1										
0-4	0-3	0-2	0-1	2-3	1-3	2-7	1-7	1-1	2-6	1-6	DESCRIPTION	MATERIAL	SURFACE	COLOR	ITEM NO	NOTES
											HB.24.STO.1.21.G					
											HB-K.24.STO.1.21.G					
											HB.24.STO-VS.1.21.G					
											HB.24.STO-GR.1.21.G					
											HB-K.24.STO-GR.1.21.G					
											HB-Z.24.STO-ZB.1.21.G					
											HB-K/Z.24.STO-ZB.1.21.G					
											HB.24.STO-GR.1.21.G					
											HB.24.STO.2.21.G					
											HB-K.24.STO-GR.1.21.G					
											HB-K.24.ST-GR					

DWN Schneider 08.05.2001		DWN Schneider 08.05.2001		Tyco Electronics AMP GmbH																																						
CHK Schnurfeil 08.05.2001		CHK Schnurfeil 08.05.2001		0-53819, Neunkirchen, Germany																																						
DIMENSIONS: mm		TOLERANCES UNLESS OTHERWISE SPECIFIED:		NAME Hood																																						
<table border="1"> <tr><td>0</td><td>PLC</td><td>±</td></tr> <tr><td>1</td><td>PLC</td><td>±</td></tr> <tr><td>2</td><td>PLC</td><td>±</td></tr> <tr><td>3</td><td>PLC</td><td>±</td></tr> <tr><td>4</td><td>PLC</td><td>±</td></tr> <tr><td colspan="3">ANGLES ±</td></tr> <tr><td colspan="3">FINISH ±</td></tr> </table>		0	PLC	±	1	PLC	±	2	PLC	±	3	PLC	±	4	PLC	±	ANGLES ±			FINISH ±			<table border="1"> <tr><td>PRODUCT SPEC</td><td>108-74001</td></tr> <tr><td>PLC</td><td>108-74003</td></tr> <tr><td>APPLICATION SPEC</td><td>114-74001</td></tr> <tr><td>PLC</td><td>114-74004</td></tr> </table>		PRODUCT SPEC	108-74001	PLC	108-74003	APPLICATION SPEC	114-74001	PLC	114-74004	<table border="1"> <tr><td>SIZE</td><td>CAGE CODE</td><td>DRAWING NO</td><td>RESTRICTED TO</td></tr> <tr><td>A6</td><td>1997</td><td>C=1102325</td><td>-</td></tr> </table>		SIZE	CAGE CODE	DRAWING NO	RESTRICTED TO	A6	1997	C=1102325	-
0	PLC	±																																								
1	PLC	±																																								
2	PLC	±																																								
3	PLC	±																																								
4	PLC	±																																								
ANGLES ±																																										
FINISH ±																																										
PRODUCT SPEC	108-74001																																									
PLC	108-74003																																									
APPLICATION SPEC	114-74001																																									
PLC	114-74004																																									
SIZE	CAGE CODE	DRAWING NO	RESTRICTED TO																																							
A6	1997	C=1102325	-																																							
MATERIAL		WEIGHT		CUSTOMER DRAW ING																																						
				SCALE 1:1 SHEET 1 OF 1 REV. A6																																						