

127 mm sq.

San Ace 127



General Specifications

- Material Frame: Plastics (Flammability: UL94V-0),
Impeller: Plastics (Flammability: UL94V-1)
- Expected Life Refer to specifications (L10:Survival rate:90% at 60°C ,
rated voltage, and continuously run in a free air state)
- Lead Wire ⊕red ⊖black or blue (Sensor) yellow
- Storage Temperature -30°C to +70°C (Non-condensing)

127×127×38mm (Mass : 350g) **9P type**

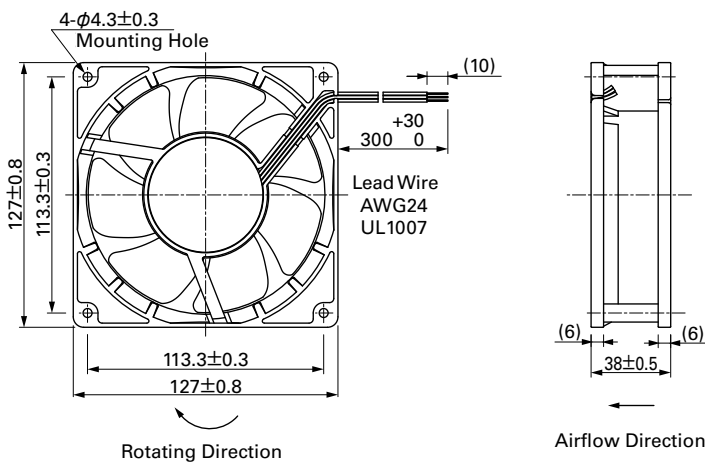
Specifications

The following nos. **have pulse sensors and ribs**. For ribless, append "1" to the model no.

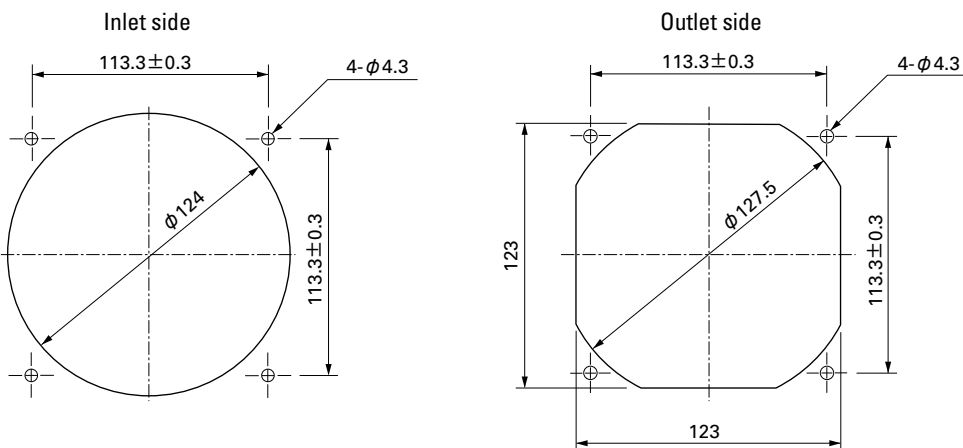
Model No.	Rated Voltage [V]	Operating Voltage Range [V]	Rated Current [A]	Rated Input [W]	Rated Speed [min ⁻¹]	Max. Airflow [m ³ /min] [CFM]	Max. Static Pressure [Pa] [inchH ₂ O]	SPL [dB(A)]	Operating Temperature [°C]	Expected Life [h]
109P1312S101	12	10.2 to 13.8	1.3	15.6	3,300	4.2 148	117.6 0.472	47	-20 to +60	40,000/60°C
109P1312H101			0.82	9.84	2,950	3.8 134	98 0.394	45		
109P1324S101	24	20.4 to 27.6	0.55	13.2	3,300	4.2 148	117.6 0.472	47		
109P1324H101			0.41	9.84	2,950	3.8 134	98 0.394	45		
109P1348S101	48	40.8 to 55.2	0.3	14.4	3,300	4.2 148	117.6 0.472	47		
109P1348H101			0.2	9.6	2,950	3.8 134	98 0.394	45		

Other sensor specifications are available as options. Please refer to the index (p. 498).

Dimensions (unit: mm) (With ribs)



Reference Dimensions of Mounting Holes and Vent Opening (unit: mm)



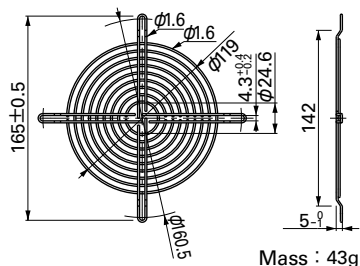
Options (unit: mm)

Finger Guards

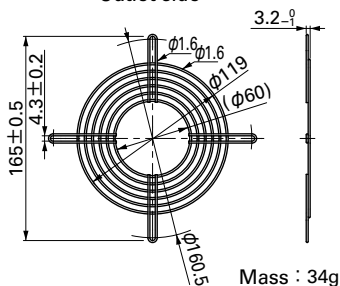
Model : 109-722 Surface treatment : Nickel-chrome plating (silver) Color (silver)

Model : 109-723 Surface treatment : Nickel-chrome plating (silver) Color (silver)

Inlet side, Outlet side

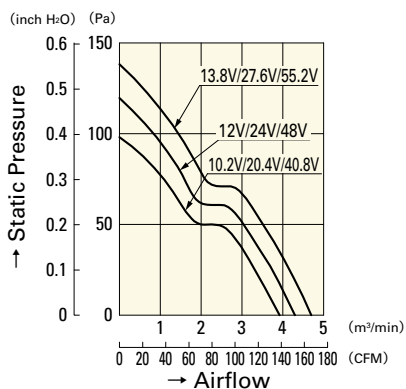


Outlet side

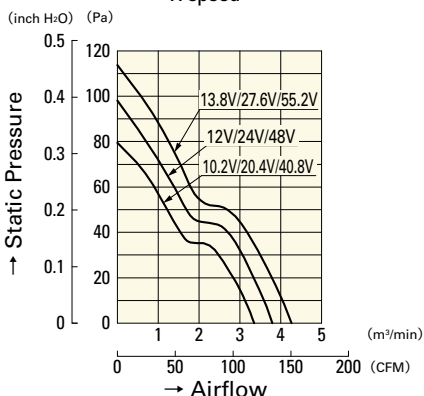


Airflow - Static Pressure Characteristics

S speed



H speed



109P1312S101

109P1324S101

109P1348S101

109P1312H101

109P1324H101

109P1348H101