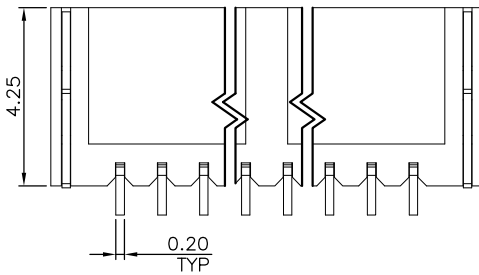
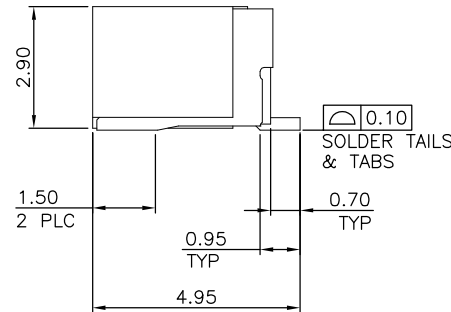
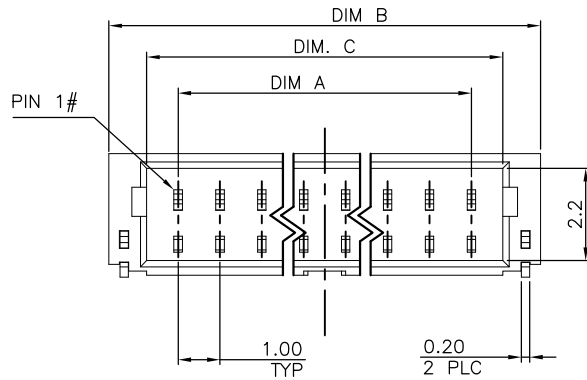
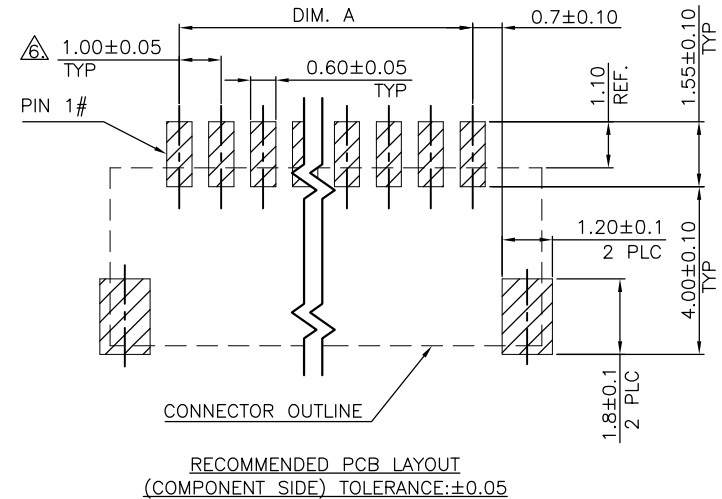


P	LTR	DESCRIPTION	DATE	DWN	APVD
B1		REVISED PER ECO-11-005301	07MAR11	RK	HMR



- NOTE:
- MATERIAL:  
HOUSING: THERMOPLASTIC WITH 30% G/F, UL 94V-0, NATURE COLOR.  
CONTACTS: PHOSPHOR BRONZE.  
TABS: BRASS.
  - FINISH:  
CONTACT: 3.048μm (120μ") MIN. MATTE-TIN OVER  
1.27μm (50μ") MIN. NICKEL ON ENTIRE CONTACT.  
TABS: 3.048μm (120μ") MIN. MATTE-TIN OVER  
1.27μm (50μ") MIN. NICKEL ON ENTIRE CONTACT.
  - REFLOW SOLDER CAPABLE TO 260°C PER TE CONNECTIVITY SPEC. 109-201, CONDITION B.
  - NO TE LOGO AND DATE CODE ON THE PRODUCT.
  - PART NO. OF RECEPTACLE CONTACT & HOUSING (BASE NO.#): 1734597 & 1470364.
- △ NO ACCUMULATE TOLERANCE.



WEIGHT	C	B	A	NO. OF CONTACTS	PART NUMBER
0.21g	15.50	17.30	14.00	15	1-1734709-5
0.20g	14.50	16.30	13.00	14	1-1734709-4
0.19g	13.50	15.30	12.00	13	1-1734709-3
0.17g	12.50	14.30	11.00	12	1-1734709-2
0.16g	11.50	13.30	10.00	11	1-1734709-1
0.15g	10.50	12.30	9.00	10	1-1734709-0
0.14g	9.50	11.30	8.00	9	1734709-9
0.12g	8.50	10.30	7.00	8	1734709-8
0.11g	7.50	9.30	6.00	7	1734709-7
0.10g	6.50	8.30	5.00	6	1734709-6
0.09g	5.50	7.30	4.00	5	1734709-5
0.08g	4.50	6.30	3.00	4	1734709-4
0.07g	3.50	5.30	2.00	3	1734709-3
0.05g	2.50	4.30	1.00	2	1734709-2

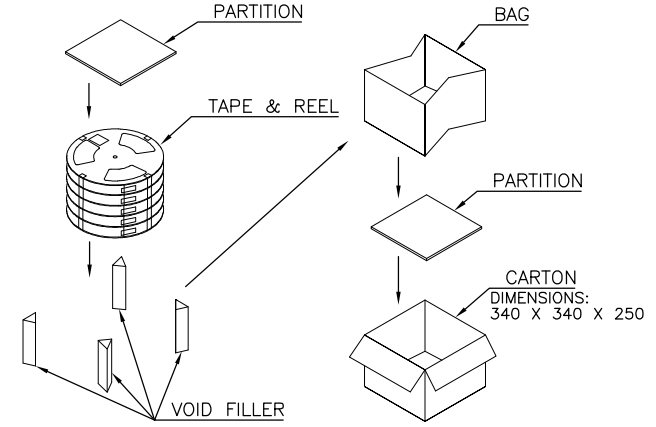
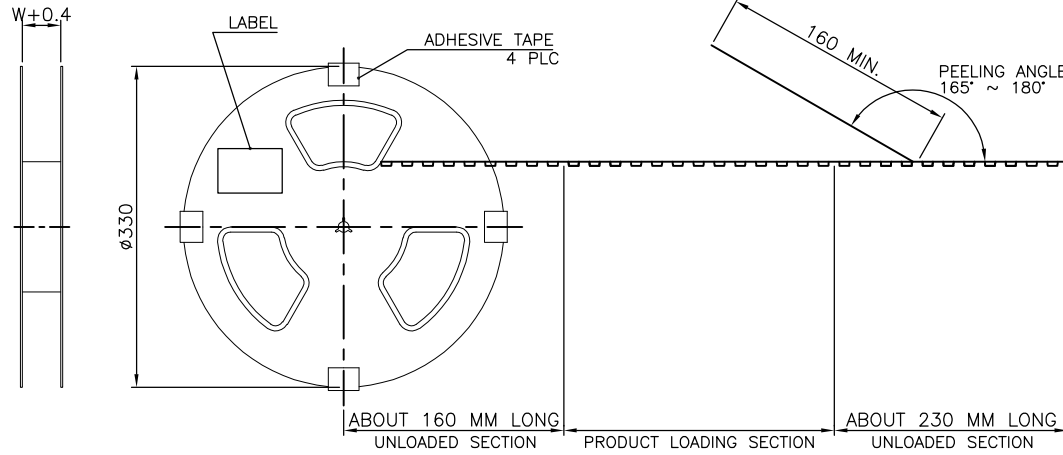
THIS DRAWING IS A CONTROLLED DOCUMENT.

DWN F. YANG 10APR2009	TE Connectivity WIRE TO BOARD CONNECTOR SIDE ENTRY, SINGLE ROW, SMT TYPE
CHK S. CHIEN 10APR2009	
APVD W. KODAMA 10APR2009	NAME
PRODUCT SPEC 108-57264	QUALIFICATION TEST REPORT 501-57283
MATERIAL SEE NOTE	FINISH SEE NOTE
CUSTOMER DRAWING	

SIZE	CAGE CODE	DRAWING NO	RESTRICTED TO
A3	00779	1734709	-

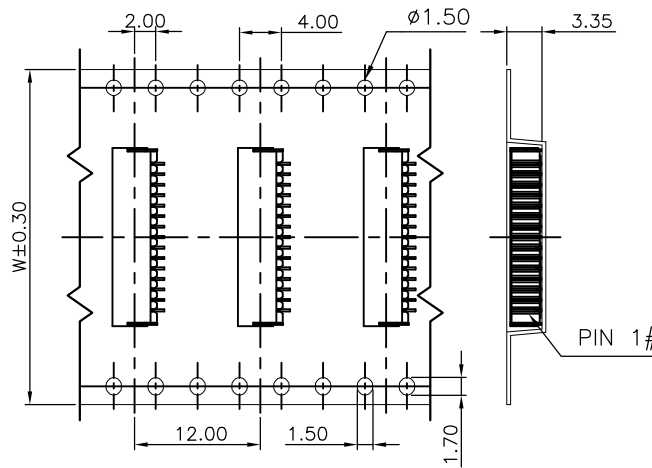
SCALE	SHEET	REV
-	1 of 3	B1

P	LTR	DESCRIPTION	DATE	DWN	APVD
-	-	SEE SHEET 1.	-	-	-

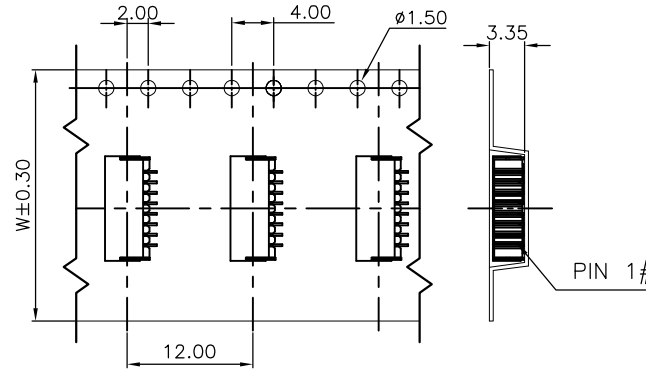


PULL OUT DIRECTION →

PULL OUT DIRECTION →



CARRIER FOR 15 PIN



CARRIER FOR 2 TO 5 PIN & 7 TO 14 PIN

PCS/REEL	REELS/CARTON	QUANTITY	DIM W	G/W (KG)	N/W (KG)	NO. OF POS.
1500	6	9000	32	5.48	1.89	15
				5.58	2.10	14
				5.48	2.00	13
				5.27	1.79	12
				5.16	1.68	11
				5.06	1.58	10
				4.95	1.47	09
10	15000	16	4.66	1.26	08	
			4.64	1.16	07	
			5.75	1.35	05	
			5.60	1.20	04	
			5.45	1.05	03	
				5.15	0.75	02

THIS DRAWING IS A CONTROLLED DOCUMENT.

**TE Connectivity**

WIRE TO BOARD CONNECTOR  
SIDE ENTRY, SINGLE ROW, SMT TYPE

DIMENSIONS: MM	TOLERANCES UNLESS OTHERWISE SPECIFIED:	APVD	NAME
0 PLC ±	1 PLC ±	PRODUCT SPEC	
2 PLC ±	3 PLC ±	QUALIFICATION TEST REPORT	
4 PLC ±	ANGLES ±	WEIGHT	
MATERIAL SEE NOTE	FINISH SEE NOTE	CUSTOMER DRAWING	

SIZE A3	CAGE CODE 00779	DRAWING NO C-1734709	RESTRICTED TO
SCALE	SHEET 2 of 3	REV B1	

THIS DRAWING IS UNPUBLISHED.

RELEASED FOR PUBLICATION

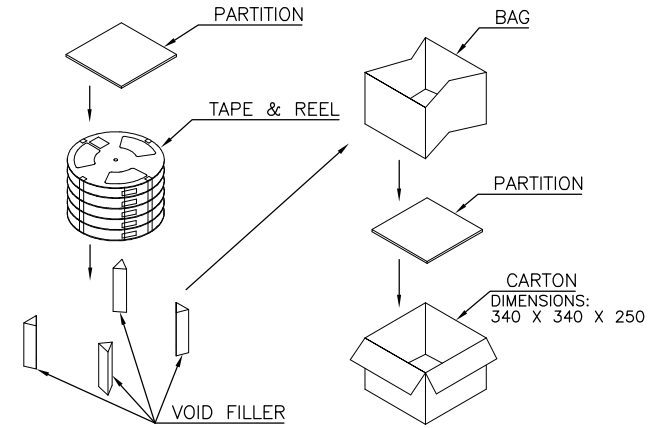
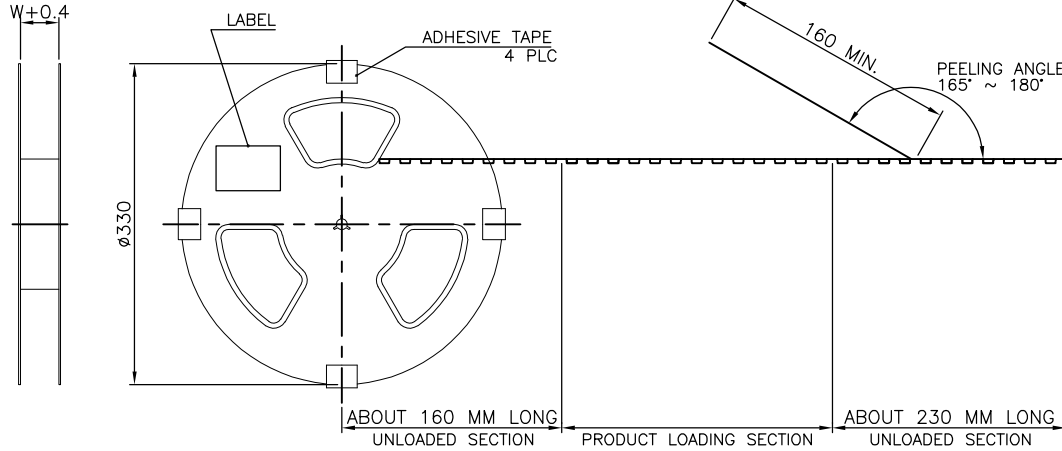
ALL RIGHTS RESERVED.

LOC DW

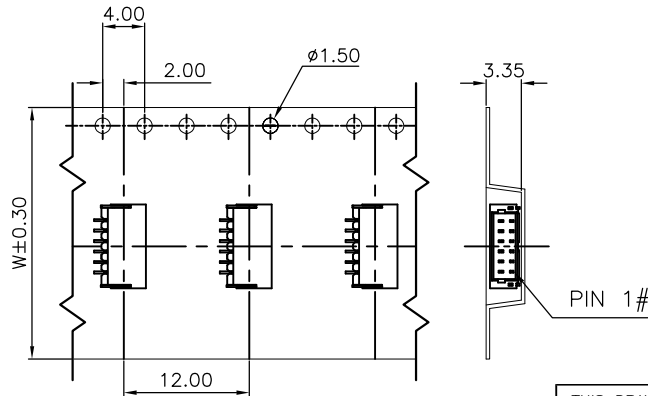
DIST

REVISIONS

P	LTR	DESCRIPTION	DATE	DWN	APVD
-	-	SEE SHEET 1.	-	-	-



PULL OUT DIRECTION



CARRIER FOR 6 PIN

2000	10	20000	16	6.40	2.00	06
PCS/REEL	REELS/CARTON	QUANTITY	DIM W	G/W (KG)	N/W (KG)	NO. OF POS.

THIS DRAWING IS A CONTROLLED DOCUMENT.		DWN	<b>STE</b> TE Connectivity			
		CHK				
DIMENSIONS: MM		APVD	NAME			
TOLERANCES UNLESS OTHERWISE SPECIFIED:		PRODUCT SPEC	WIRE TO BOARD CONNECTOR SIDE ENTRY, SINGLE ROW, SMT TYPE			
0 PLC ± -		QUALIFICATION TEST REPORT	SIZE CAGE CODE DRAWING NO RESTRICTED TO			
1 PLC ± -		WEIGHT	A3 00779 C-1734709			
2 PLC ± -		MATERIAL	SCALE SHEET 3 of 3 REV B1			
3 PLC ± -		FINISH				
4 PLC ± -		SEE NOTE				
ANGLES ± -		CUSTOMER DRAWING				