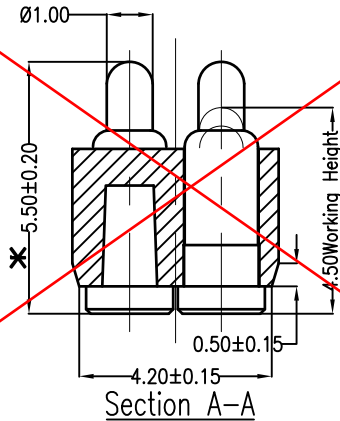
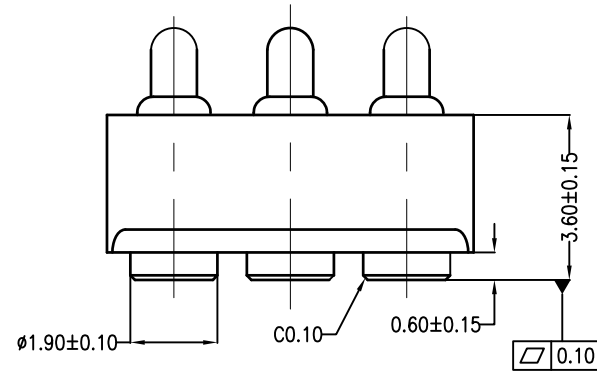


RECOMMENDED PCB LAYOUT

NOTE;

- Material
Housing: Black HTN +30%GF UL94V-0
Barrel: Brass C3604
Plunger: Brass C3604
Spring: SUS304
- Plating
Plunger: 10 micro-inch minimum Au over 50~100 micro inch nickel
Barrel: 10 micro-inch minimum Au over 50~100 micro inch nickel
- Electrical(Each Pin quiescence)
Rated current & voltage: DC 50V; 1A.
Contact resistance: 50 mohm maximum at working height
- Mechanical
Spring force: 80±20% at working height(quiescence).
Durability: 10,000 cycles(minimum)
- To ensure the best usage,
please operate it based on the working height.
Maximum allowed compression shall not be exceeded
based on the engineering drawing.
- RoHS compliant product.
- Operation temperature at -40°C to +105°C.



Section A-A

OBSOLETE

| | | | |
|-------|---|----------|------|
| Leo | 4 | 23.04.14 | A427 |
| Leo | 3 | 13.11.13 | A419 |
| Allan | 2 | 28.02.08 | A113 |
| Allan | 1 | 01.08.06 | - |

| NAME | ISS. | DATE | C/NOTE |
|------|------|------|--------|
|------|------|------|--------|

APPROVED: B.Lim

CHECKED: D.P

DRAWN: Leo

CUSTOMER REF.:

ASSEMBLY DRG:

NOTES: ALL DIMENSIONS AND NOTES MARKED * ARE CRITICAL AND MUST BE CHECKED IN ACCORDANCE WITH QUALITY DOC. QI-02A

HARWIN

HARWIN USA
TEL: 603 893 5376
FAX: 603 893 5396
mis@harwin.com

HARWIN Europe (UK)
TEL: 023 9231 4545
FAX: 023 9231 4590
mis@harwin.co.uk

HARWIN Asia
TEL: +65 6 779 4909
FAX: +65 6 779 3868
mis@harwin.com.sg

THIS DRAWING AND ANY INFORMATION OR DESCRIPTIVE MATTER SET OUT HEREON ARE CONFIDENTIAL AND COPYRIGHT PROPERTY OF THE HARWIN GROUP AND MUST NOT BE DISCLOSED, LOANED, COPIED OR USED FOR MANUFACTURING, TENDERING OR FOR ANY OTHER PURPOSE WITHOUT THEIR WRITTEN PERMISSION.

TOLERANCES
0~6.0 = ±0.05mm
>6~30 = ±0.10mm
>30~120 = ±0.15mm
X. = ±2°
X.X = ±1°
X.XX = ±0.5°
UNLESS STATED

MATERIAL: SEE NOTES
FINISH: SEE NOTES
S/AREA: mm?

TITLE: PITCH 2.5X2mm HEIGHT 5.5mm 5-POS POGO PIN CONNECTOR
DRAWING NUMBER: P20-0545R
SHT 1 OF 1