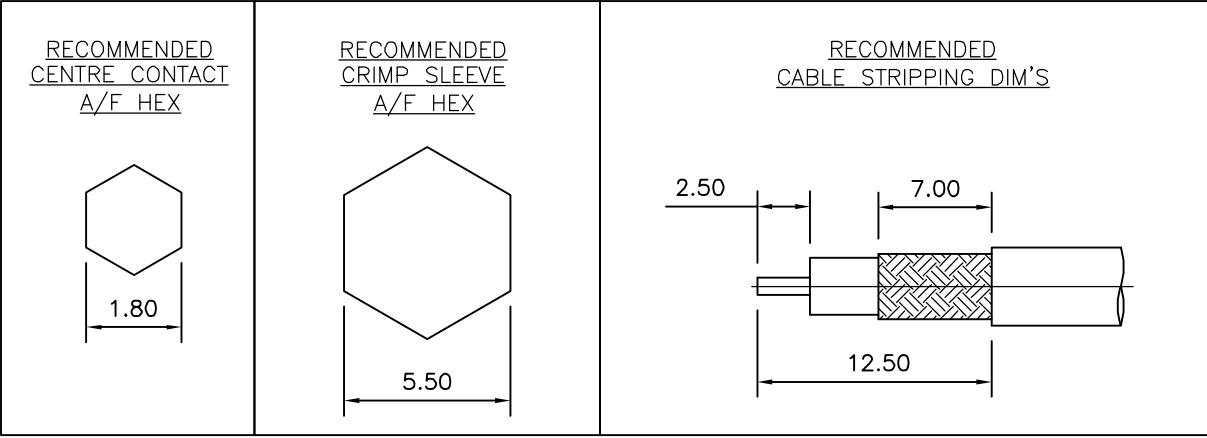
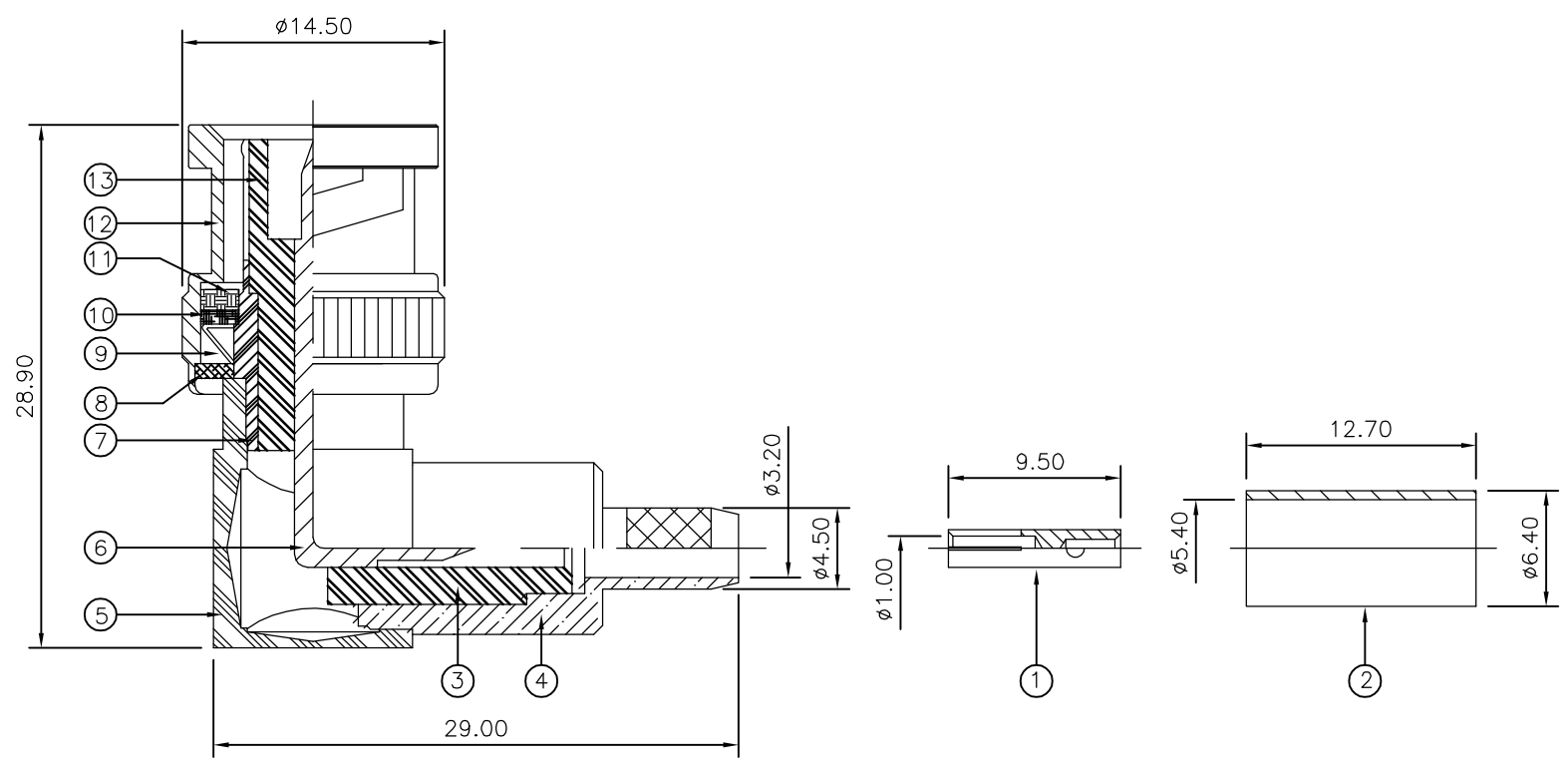


THIS DRAWING IS UNPUBLISHED. RELEASED FOR PUBLICATION JUNE ,2006.
 © COPYRIGHT 2006 BY TYCO ELECTRONICS CORPORATION. ALL RIGHTS RESERVED.

LOC	DIST	REVISIONS					
E	B	P	LTR	DESCRIPTION	DATE	DWN	APVD
		B		ECR-06-013423	19JUN06	JMS	FWK

- NOTES:**
- 1 PACK IN ACCORDANCE WITH AMP SPEC 107-3275
 - 2 100 TRAY PACK IN ACCORDANCE WITH AMP SPEC 107-3275
 - 3 Ag PLATING
 - 4 Ni PLATING
 - 5 THIS ITEM MUST BE WHITE
 - 6 HAND TOOL : 9-1478240-0
 - 7 DIE SET : 9-1478242-0
 - 8 ELECTRICAL CHARACTERISTICS
 FREQUENCY RANGE: DC - 4 GHz
 NOMINAL IMPEDANCE: 50 Ohm
 INSULATION RESISTANCE: 5000 MOhm
 WORKING VOLTAGE: 500 Volts RMS at Sea Level
 DIELECTRIC WITHSTAND VOLTAGE: 1500 Volts RMS Max
 CONTACT RESISTANCE:
 CENTRE CONTACT: 1.50 mOhm Max
 OUTER CONTACT: 0.20 mOhm Max
 VSWR @ 4GHz: 1.35:1 Max
 INSERTION LOSS dB @ x 3 GHz: 0.30 Max
 - 9 MECHANICAL CHARACTERISTICS
 COUPLING RETENTION FORCE: 445N Min
 CABLE RETENTION FORCE: 170N Min
 DURABILITY: 500 Cycles Min
 - 10 ENVIRONMENTAL CHARACTERISTICS
 OPERATING TEMPERATURE: -65 to +165 DegC
 - 11 FOR TECHNICAL DATA REFER TO YOUR LOCAL TYCO ELECTRONICS SALES OFFICE
 - 12 ALL DIMENSIONS ARE NOMINAL FOR REFERENCE ONLY UNLESS OTHERWISE STATED



QTY	QTY PER ASSY	MATERIAL	DESCRIPTION	ITEM
1	1	PTFE	INSULATION	13
1	1	BRASS	3 SHELL	12
1	1	SILICON RUBBER	5 GASKET	11
1	1	BRASS	4 WASHER	10
1	1	SPRING STEEL	4 SPRING	9
1	1	BRASS	3 WASHER	8
1	1	BRASS	3 BODY 2	7
1	1	BRASS	3 CONTACT II	6
1	1	BRASS	3 BODY 1	5
1	1	BRASS	3 CHASSIS	4
1	1	PTFE	INSULATION	3
1	1	BRASS	3 FERRULE	2
1	1	BRASS	3 CONTACT I	1
6--0	1--0	MATERIAL	DESCRIPTION	ITEM

THIS DRAWING IS A CONTROLLED DOCUMENT.

DWN	J.SANDWELL	19JUN06
CHK	S.PARLOW	19JUN06
APVD	F.WHEELER-KING	19JUN06
PRODUCT SPEC	-	
APPLICATION SPEC	411-3247	
WEIGHT	-	

tyco Electronics Tyco Electronics Corporation
Bideford EX39 4HE

NAME BNC ELBOW PLUG CRIMP 50 OHM
RG58C/U, 141A/U, URM43, 76, KX15

SIZE	CAGE CODE	DRAWING NO	RESTRICTED TO
A3	00779	C-1478075	-

CUSTOMER DRAWING SCALE NTS SHEET 1 OF 1 REV B