

REVISIONS

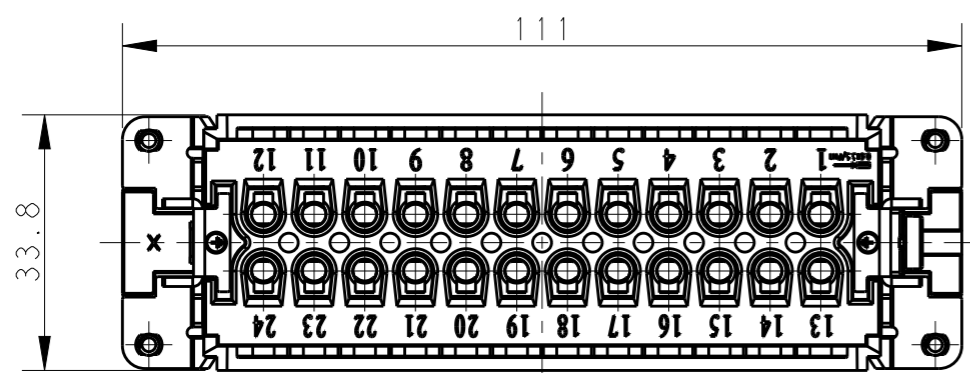
P	LTR	DESCRIPTION	DATE	DWN	APVD
	A	INITIAL	05JAN2015	GY	CW
	A1	ECR-15-004309	24MAR2015	GY	CW
	B	ECR-15-013759	26SEP2015	DW	CW
	B1	ECR-16-011988	27AUG2016	YC	CW

NOTES:

1. TECHNICAL CHARACTERISTICS:
 INSULATION MATERIAL: PC
 RATED VOLTAGE: 500V
 RATED CURRENT: 16A
 INSULATION RESISTANCE: $\geq 400M\Omega$
 RATED IMPULSE VOLTAGE: 6KV
 POLLUTION DEGREE: 3
 FLAMMABILITY: UL94V-0
 MATING CYCLES: 500 CYCLES
 WIRE RANGE: $0.5mm^2 \sim 2.5mm^2$ (AWG20-AWG14)
 CONTACT TYPE: SCREW CLAMP (M3)

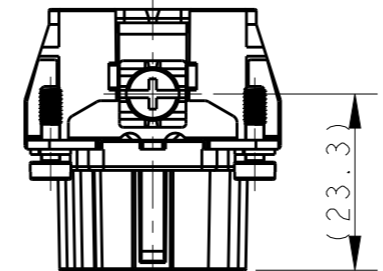
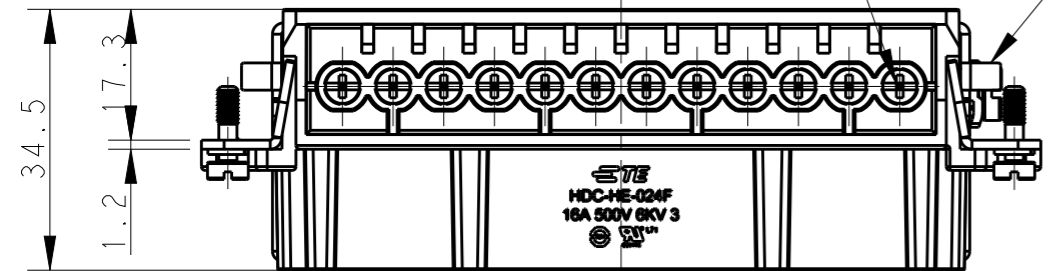
注释:

1. 技术参数:
 绝缘材料: PC
 额定电压: 500V
 额定电流: 16A
 绝缘电阻: $\geq 400M\Omega$
 脉冲电压: 6KV
 污染等级: 3
 阻燃等级: UL94V-0
 插拔次数: 500 次
 接线范围: $0.5mm^2 \sim 2.5mm^2$ (AWG20-AWG14)
 接线类型: 螺丝压接 (M3)

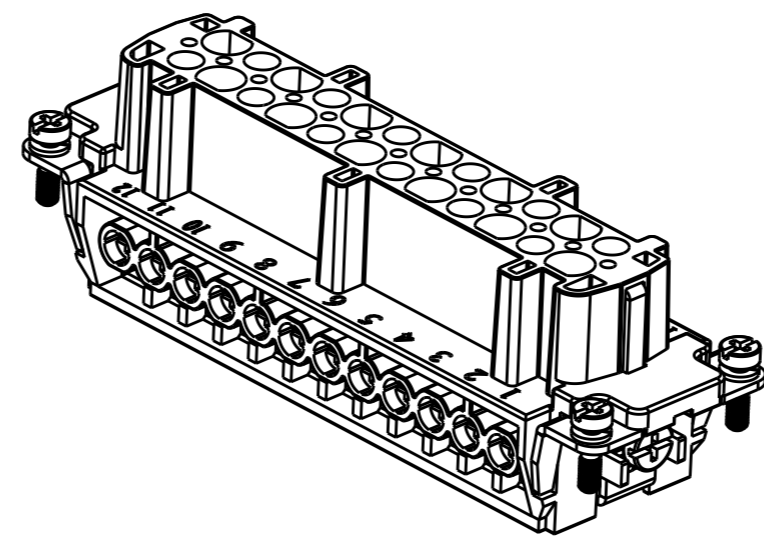
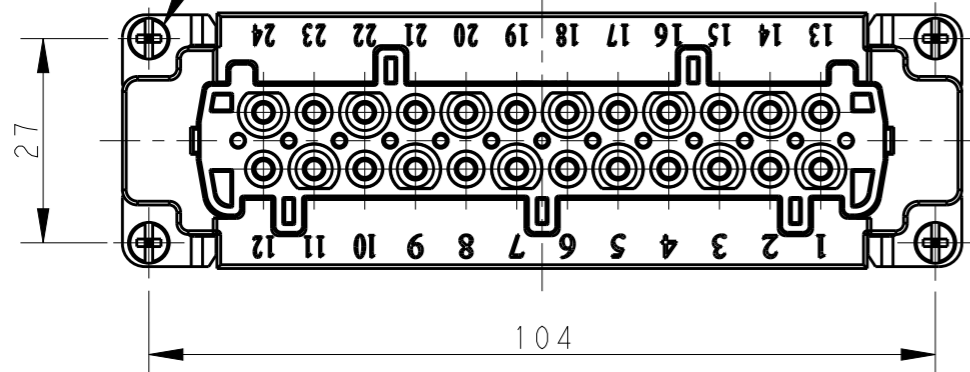


24X M3 SCREW, RECOMMENDED
 TIGHTENING TORQUE 0.5Nm
 24X M3螺丝, 推荐锁紧力矩0.5Nm

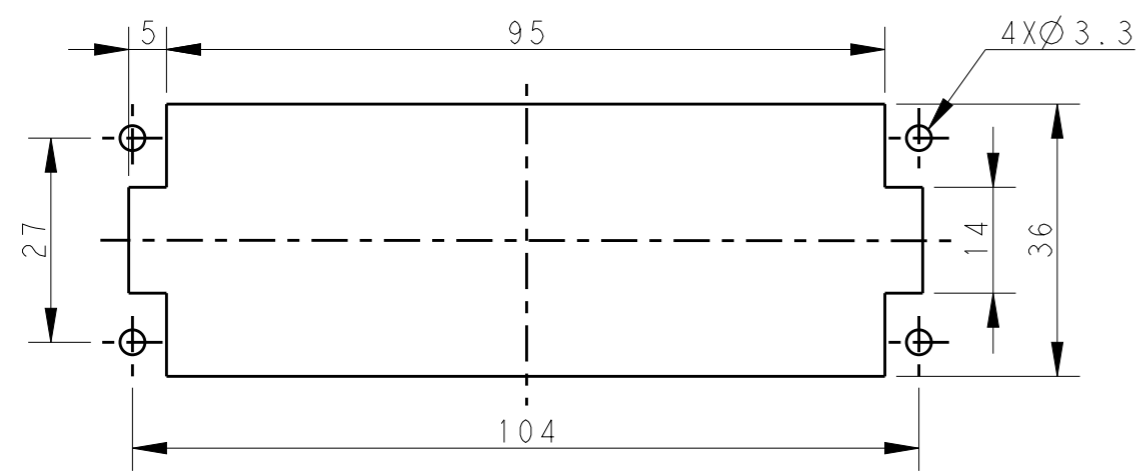
M4 SCREW, RECOMMENDED
 TIGHTENING TORQUE 1.2Nm
 M4螺丝, 推荐锁紧力矩1.2Nm



4X M3 SCREW, RECOMMENDED
 TIGHTENING TORQUE 0.5Nm
 4X M3螺丝, 推荐锁紧力矩0.5Nm



TYPE 1, T2040242201-000, WITH LOGO
 类型 1, T2040242201-000, 带LOGO



PANEL CUT FOR INSERTS FOR USE
 WITHOUT HOODS/ HOUSINGS
 不使用防护外壳时芯件的安装开孔图

THIS DRAWING IS A CONTROLLED DOCUMENT.		DWN GINO YAO 15AUG2014	TE Connectivity	
DIMENSIONS: mm		CHK CHRIS WANG 15AUG2014		
TOLERANCES UNLESS OTHERWISE SPECIFIED:		APVD XIANG XU 15AUG2014	NAME HE-024-F	
0 PLC ±-		PRODUCT SPEC 108-137044	SIZE A3	
1 PLC ±-		APPLICATION SPEC 114-137044	CAGE CODE 00779	DRAWING NO. T2040242201000
2 PLC ±-		MATERIAL -	RESTRICTED TO -	
3 PLC ±-		FINISH -	SCALE 1:1	
4 PLC ±-			SHEET 1 OF 2	
ANGLES ±-			REV B1	
MATERIAL -		CUSTOMER DRAWING		

THIS DRAWING IS UNPUBLISHED.

RELEASED FOR PUBLICATION

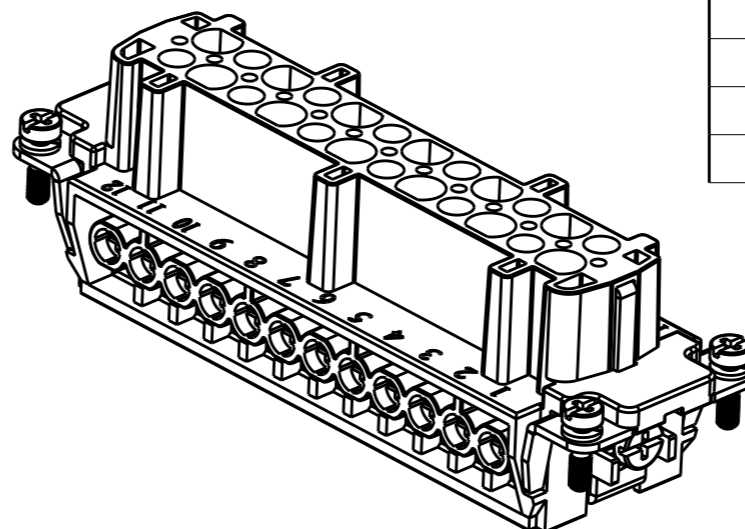
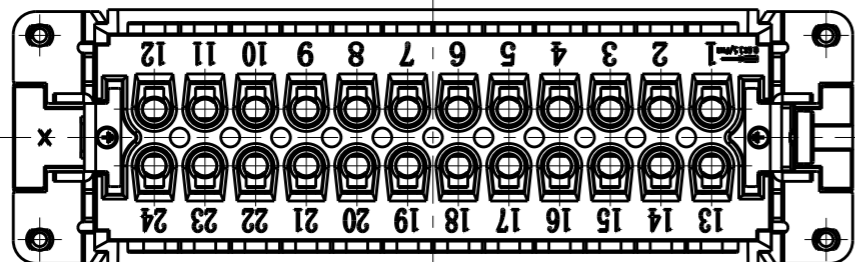
20

© COPYRIGHT 20 BY -

ALL RIGHTS RESERVED.

REVISIONS

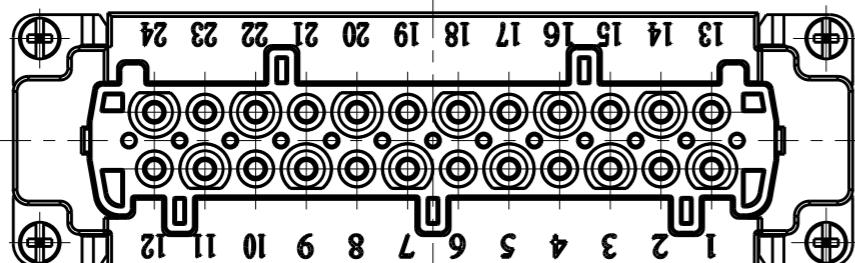
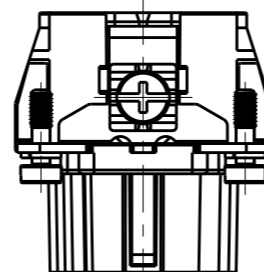
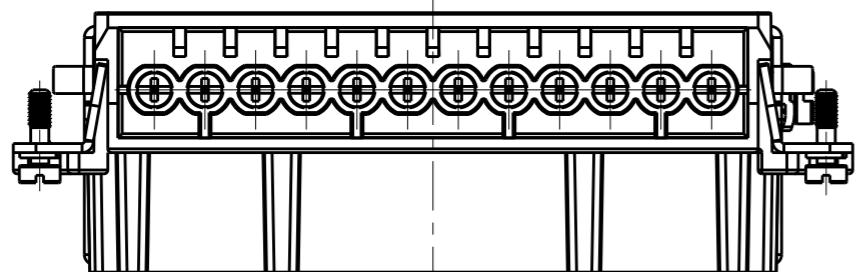
P	LTR	DESCRIPTION	DATE	DWN	APVD
		SEE SHEET 1			



NOTE:
ALL SPEC REFER TO TYPE 1

注释:
所有产品规范参照 TYPE 1

TYPE 2, T2040242201-001, WITHOUT LOGO
类型 2, T2040242201-001, 不带LOGO



T2040242201-000	HE-024-F	HE-024 FEMALE INSERT HE-024 母插	TYPE 1
T2040242201-001	HE-024-F	HE-024 FEMALE INSERT, WITHOUT LOGO HE-024 母插, 无LOGO	TYPE 2
PART NUMBER 料号	PART DESCRIPTION 描述		TYPE 类型

THIS DRAWING IS A CONTROLLED DOCUMENT.		DWN GINO YAO 15AUG2014		
DIMENSIONS: mm		CHK CHRIS WANG 15AUG2014		
TOLERANCES UNLESS OTHERWISE SPECIFIED:		APVD XIANG XU 15AUG2014	NAME HE-024-F	
0 PLC ±-		PRODUCT SPEC 108-137044	SIZE A3	
1 PLC ±-		APPLICATION SPEC 114-137044	CAGE CODE 00779	DRAWING NO T2040242201000
2 PLC ±-		WEIGHT -	RESTRICTED TO -	
3 PLC ±-		CUSTOMER DRAWING	SCALE 1:1	
4 PLC ±-			SHEET 2 OF 2	
ANGLES ±-		REV B1		
FINISH -				