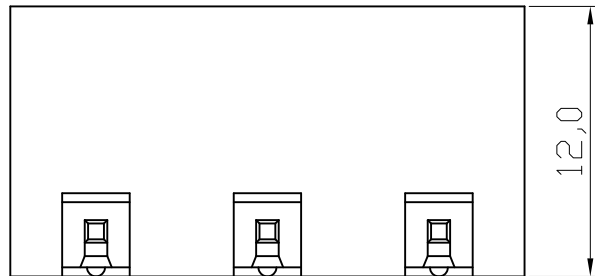
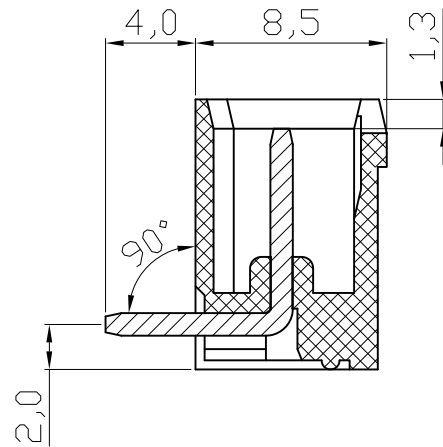
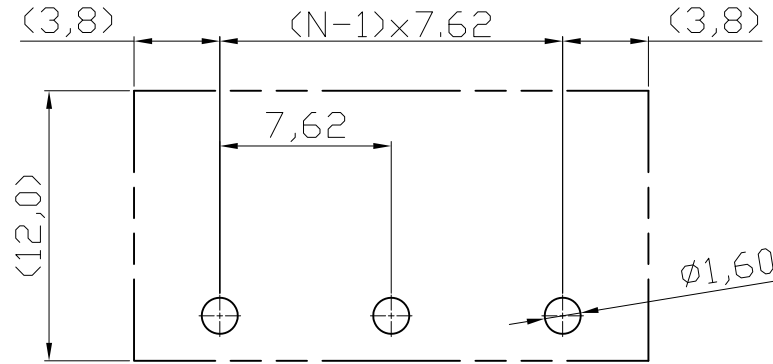


N=Number of contacts



P.C.B LAYOUT



Material

Terminal body  
 (contact pin): Brass(CuZn) Tin plated  
 Insulator (housing): Thermoplastic (UL94V-0)Green

Electrical cULus

Voltage rating: 300VAC  
 Current rating: 20A  
 Withstanding Voltage: 1.6KV  
 Operating temperature: -30°C to +105°C  
 Soldering temperature: 250°C±10°C/5 Sec  
 Safety Approval: us

RoHS compliant

|           |       |     |              |            |      |          |            |             |  |
|-----------|-------|-----|--------------|------------|------|----------|------------|-------------|--|
| Scale     | 1:1   |     |              |            |      |          | Date       | Name        | Customer-No.                             |
| TOLERANCE |       |     |              |            |      | Drawn    | 29.07.2009 | Dean        | ASSMANN WSW-No.<br><b>A-TB762-OQxxCH</b> |
| X.        | ±0.50 |     |              |            |      | Approved | 10.12.2009 | Hellwig     |  |
| X.X       | ±0.30 |     |              |            |      |          |            |             |  |
| X.XX      | ±0.10 |     |              |            |      |          |            |             |  |
| DIM       | TOL   | ②   | Update       | 10.12.2009 | Dean |          |            | Drawing-No. | ASS 3600 CO rev02                        |
| X.°       | ±1°   | ①   | Drawn        | 29.07.2009 | Dean |          |            |             |  |
| Angle     | TOL   | Id. | Modification | Date       | Name |          |            |             |  |

Replace Sheet