

# MAX77950

# WPC/PMA Dual Mode Wireless Power Receiver

## General Description

The MAX77950 is an advanced wireless power receiver IC that meets the specification requirements for WPC low-power (v1.2) and PMA SR1 (v2.0) communication protocols. This device operates using near-field magnetic induction when coupled with a WPC or PMA transmitter and provides output power up to 12 watts.

The IC has precision output current and voltage-sensing scheme over the entire load range. It enables accurate received power packets, as defined in the WPC specifications for best foreign object detection (FOD). The IC supports FSK demodulation to receive PMA advertisement ID as well as WPC FSK packets.

The IC features the patent-pending PeerPower™ function. In PeerPower mode, the IC operates as a transmitter, enabling power transfer to another peer device through in-band ASK communications.

The MAX77950 communicates with an application processor through an I<sup>2</sup>C serial interface. The status of power transfer and alerts are read through this interface.

## Applications

- Smartphones
- Tablets
- Smart Watches
- Headsets
- Wearable Devices
- Battery-Power Banks
- Wi-Fi Hotspots
- Digital Cameras
- Portable Medical Applications
- Portable Media Players
- Point-of-Sale Devices
- Handheld Devices

## Benefits and Features

- WPC/PMA Dual Mode Wireless Power Receiver
- Compliant with WPC Low Power (v1.2) and PMA SR1 (v2.0)
- Peer-to-Peer Power Transmission with In-Band ASK Communications
- WPC ASK Demodulator/FSK Demodulator
- Output Programmable Range from 3.5V to 12.7V with 100mV Step
- Integrated High-Efficiency n-Channel Full-Bridge Synchronous Rectifier
- Programmable Foreign Object Detection
- Programmable Dynamic Rectifier-Voltage Scaling
- Overvoltage, Overcurrent, and Overtemperature Protection

*[Ordering Information](#) appears at end of data sheet.*

*PeerPower is a trademark of Maxim Integrated Products, Inc.*

---

**TABLE OF CONTENTS**


---

General Description . . . . .	1
Applications . . . . .	1
Benefits and Features . . . . .	1
Simplified Block Diagram . . . . .	6
Absolute Maximum Ratings . . . . .	7
Package Information . . . . .	7
Electrical Characteristics . . . . .	8
Typical Operating Characteristics . . . . .	11
Bump Configuration . . . . .	12
Pin Description . . . . .	13
Functional Diagram . . . . .	14
Detailed Description . . . . .	15
Wireless Power Transfer System Overview . . . . .	15
Rectified-Voltage Control Loop . . . . .	16
PeerPower Function . . . . .	16
Overview . . . . .	16
Wireless Power Detection Function . . . . .	17
Clamp Function . . . . .	17
ASK/FSK Demodulation . . . . .	17
Foreign Object Detection (FOD) . . . . .	17
Watchdog Function . . . . .	18
Sending End Power Transfer (EPT)/End of Charge (EOC) . . . . .	18
Sending Proprietary Packets (PPP) . . . . .	18
Register Map . . . . .	19
CHIP_ID (0x00) . . . . .	23
OTP_REV (0x05) . . . . .	23
STATUS_L (0x06) . . . . .	24
STATUS_H (0x07) . . . . .	24
INT_L (0x08) . . . . .	25
INT_H (0x09) . . . . .	25
INT_ENABLE_L (0x0A) . . . . .	26
INT_ENABLE_H (0x0B) . . . . .	26
INT_CLEAR_L (0x0C) . . . . .	27
INT_CLEAR_H (0x0D) . . . . .	27
CHARGE_STATUS (0x0E) . . . . .	28
EPT_REASON (0x0F) . . . . .	28
VOUTVAL_H (0x10) . . . . .	28
VOUTVAL_L (0x11) . . . . .	28

---

**TABLE OF CONTENTS (CONTINUED)**


---

VOUTSET (0x12) . . . . .	29
VRECT_ADJ (0x13) . . . . .	29
VRECTVAL_H (0x14) . . . . .	29
VRECTVAL_L (0x15) . . . . .	29
ISENSEVAL_H (0x16) . . . . .	30
ISENSEVAL_L (0x17) . . . . .	30
TDIE_VALUE (0x18) . . . . .	30
OP_FREQ_L (0x19) . . . . .	30
OP_FREQ_H (0x1A) . . . . .	31
PING_OP_FREQ_L (0x1B) . . . . .	31
PING_OP_FREQ_H (0x1C) . . . . .	31
LDO_ILIMSET (0x1D) . . . . .	31
TX_ILIMSET (0x1E) . . . . .	32
SYS_OP_MODE (0x1F) . . . . .	32
RX_COM (0x20) . . . . .	32
PPP_HEADER (0x21) . . . . .	33
RX_DATA_VALUE0 (0x22) . . . . .	33
RX_DATA_VALUE1 (0x23) . . . . .	33
RX_DATA_VALUE2 (0x24) . . . . .	33
RX_DATA_VALUE3 (0x25) . . . . .	33
RX_DATA_VALUE4 (0x26) . . . . .	34
FSK_DATA_VALUE0 (0x27) . . . . .	34
FSK_DATA_VALUE1 (0x28) . . . . .	34
FSK_DATA_VALUE2 (0x29) . . . . .	34
TX_FOP_SET_L (0x2A) . . . . .	34
TX_FOP_SET_H (0x2B) . . . . .	35
TX_FOP_TON_SET_L (0x2C) . . . . .	35
TX_FOP_TON_SET_H (0x2D) . . . . .	35
TX_WPC_HEADER (0x34) . . . . .	35
TX_WPC_DATA0 (0x35) . . . . .	36
TX_WPC_DATA1 (0x36) . . . . .	36
TX_WPC_DATA2 (0x37) . . . . .	36
TX_WPC_DATA3 (0x38) . . . . .	36
TX_WPC_DATA4 (0x39) . . . . .	37
TX_WPC_DATA5 (0x3A) . . . . .	37
TX_WPC_DATA6 (0x3B) . . . . .	37
TX_WPC_DATA7 (0x3C) . . . . .	37
TX_WPC_CHECKSUM (0x3D) . . . . .	38

---

**TABLE OF CONTENTS (CONTINUED)**


---

FOD_X0 (0x3E) .....	38
FOD_Y0 (0x3F) .....	38
FOD_X1 (0x40) .....	38
FOD_Y1 (0x41) .....	38
FOD_X2 (0x42) .....	39
FOD_Y2 (0x43) .....	39
FOD_X3 (0x44) .....	39
FOD_Y3 (0x45) .....	39
FOD_X4 (0x46) .....	39
FOD_Y4 (0x47) .....	40
FOD_X5 (0x48) .....	40
FOD_Y5 (0x49) .....	40
FOD_X6 (0x4A) .....	40
FOD_Y6 (0x4B) .....	40
FOD_X7 (0x4C) .....	41
FOD_Y7 (0x4D) .....	41
FOD_X8 (0x4E) .....	41
FOD_Y8 (0x4F) .....	41
FOD_X9 (0x50) .....	41
FOD_Y9 (0x51) .....	42
FOD_X10 (0x52) .....	42
FOD_Y10 (0x53) .....	42
FOD_X11 (0x54) .....	42
FOD_Y11 (0x55) .....	42
FOD_X12 (0x56) .....	43
FOD_Y12 (0x57) .....	43
FOD_X13 (0x58) .....	43
FOD_Y13 (0x59) .....	43
FOD_X14 (0x5A) .....	43
FOD_Y14 (0x5B) .....	44
FOD_X15 (0x5C) .....	44
FOD_Y15 (0x5D) .....	44
OV_CLAMP_VOLTAGE (0x62) .....	44
TX_LAST_CEP (0x63) .....	45
TX_LAST_RPP (0x64) .....	45
TX_LAST_PCHP (0x65) .....	45
LDO_WPDET_CNFG (0x70) .....	46

---

**TABLE OF CONTENTS (CONTINUED)**


---

VRECT_TARGET_X0 (0xBA) . . . . .	46
VRECT_TARGET_Y0 (0xBB) . . . . .	46
VRECT_TARGET_PMA_Y0 (0xBC) . . . . .	47
VRECT_TARGET_X1 (0xBD) . . . . .	47
VRECT_TARGET_Y1 (0xBE) . . . . .	47
VRECT_TARGET_PMA_Y1 (0xBF) . . . . .	47
VRECT_TARGET_X2 (0xC0) . . . . .	48
VRECT_TARGET_Y2 (0xC1) . . . . .	48
VRECT_TARGET_PMA_Y2 (0xC2) . . . . .	48
VRECT_TARGET_X3 (0xC3) . . . . .	48
VRECT_TARGET_Y3 (0xC4) . . . . .	48
VRECT_TARGET_PMA_Y3 (0xC5) . . . . .	49
VRECT_TARGET_X4 (0xC6) . . . . .	49
VRECT_TARGET_Y4 (0xC7) . . . . .	49
VRECT_TARGET_PMA_Y4 (0xC8) . . . . .	49
VRECT_TARGET_X5 (0xC9) . . . . .	49
VRECT_TARGET_Y5 (0xCA) . . . . .	50
VRECT_TARGET_PMA_Y5 (0xCB) . . . . .	50
VRECT_TARGET_X6 (0xCC) . . . . .	50
VRECT_TARGET_Y6 (0xCD) . . . . .	50
VRECT_TARGET_PMA_Y6 (0xCE) . . . . .	50
VRECT_TARGET_X7 (0xCF) . . . . .	51
VRECT_TARGET_Y7 (0xD0) . . . . .	51
VRECT_TARGET_PMA_Y7 (0xD1) . . . . .	51
PMA_ADV_DATA (0xDB) . . . . .	51
PMA_ADV_CRC (0xDC) . . . . .	51
Typical Application Circuits . . . . .	52
Ordering Information . . . . .	52
Revision History . . . . .	53

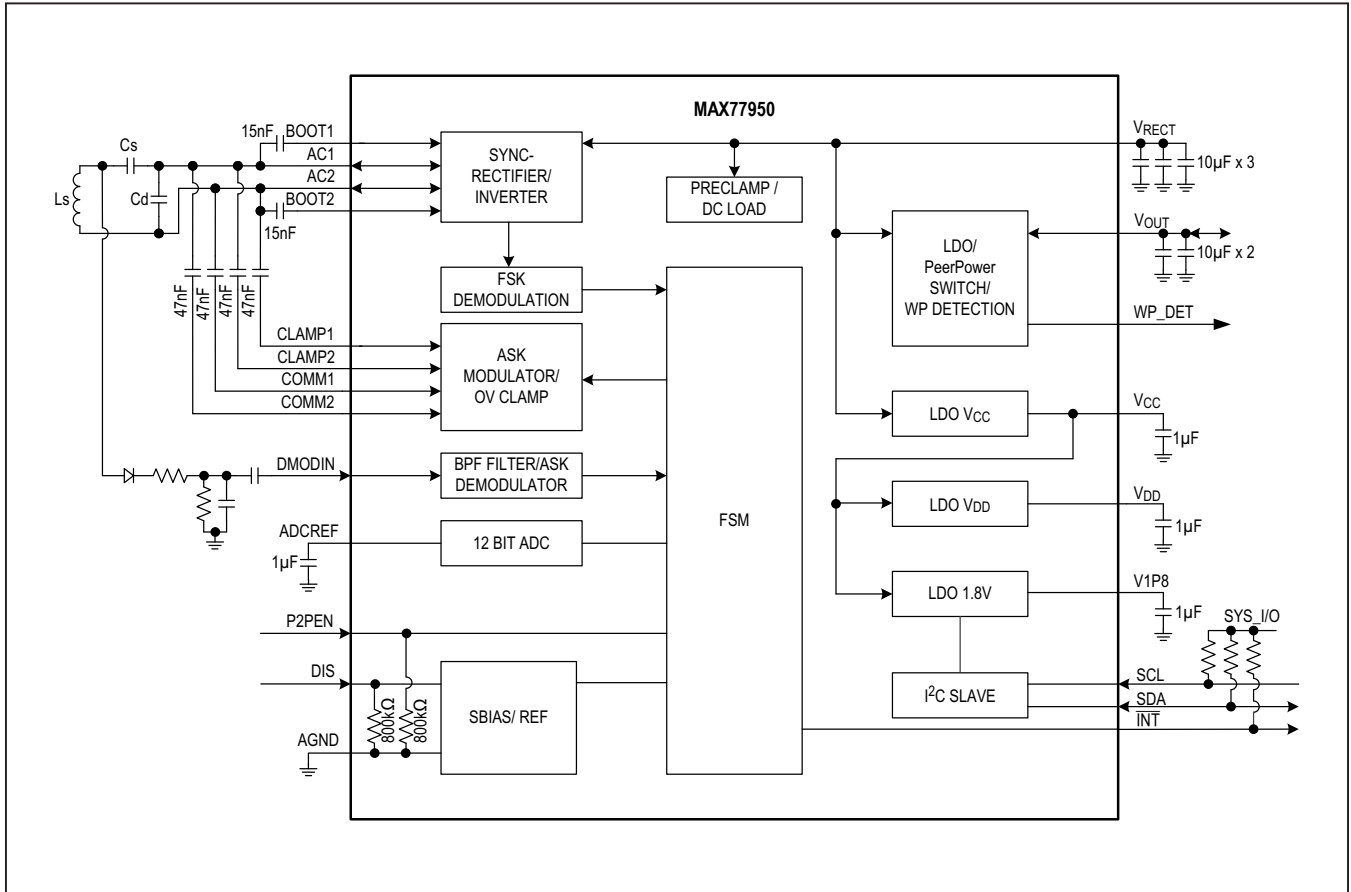
---

**LIST OF FIGURES**


---

Figure 1. Wireless Power Transfer System Diagram . . . . .	16
Figure 2. Rectified Voltage Profile vs. Output Current . . . . .	17
Figure 3. System-Level Block Diagram in PeerPower Mode. . . . .	17
Figure 4. External Circuits for Envelope Detection, Level Shifting, and AC Coupling . . . . .	18
Figure 5. FOD Coefficients vs. Load Current . . . . .	19

Simplified Block Diagram



### Absolute Maximum Ratings

AC1, AC2 to PGND .....	-0.3V to +20V	DMODIN to AGND.....	-0.3V to V <sub>CC</sub> + 0.3V
V <sub>RECT</sub> , V <sub>OUT</sub> to PGND.....	-0.3V to +20V	ADCREf to AGND .....	-0.3V to V <sub>DD</sub> + 0.3V
COMM1, COMM2, CLAMP1, CLAMP2 to PGND .....	-0.3V to +20V	DNC.....	-0.3V to V <sub>CC</sub> + 0.3V
BST1, BST2 to PGND.....	-0.3V to +25V	AGND to PGND.....	-0.3V to +0.3V
Differential ABS-MAX: BST1 to AC1, BST2 to AC2 .....	+4.5V	AC1, AC2 Current.....	2.5A
V <sub>CC</sub> to AGND .....	-0.3V to +4.5V	V <sub>OUT</sub> Current .....	-1.5A to +1.5A
V <sub>DD</sub> to AGND .....	-0.3V to +1.65V	COMM1, COMM2.....	1A
V1P8 to AGND .....	-0.3V to +4.5V	CLAMP1, CLAMP2.....	1.5A
SCL, SDA, INT to AGND.....	-0.3V to +4.5V	Operating Ambient Temperature Range.....	-40°C to +85°C
DIS to AGND .....	-0.3V to V1P8 + 0.3V	Junction Temperature.....	-40°C to +150°C
WP_DET to AGND .....	-0.3V to V1P8 + 0.3V	Soldering Temperature (reflow).....	+260°C
P2PEN to AGND .....	-0.3V to V1P8 + 0.3V		

Stresses beyond those listed under "Absolute Maximum Ratings" may cause permanent damage to the device. These are stress ratings only, and functional operation of the device at these or any other conditions beyond those indicated in the operational sections of the specifications is not implied. Exposure to absolute maximum rating conditions for extended periods may affect device reliability.

### Package Information

Package Code	W546A9+1 (6x9, 0.4mm pitch)
Outline Number	<a href="#">21-100082</a>
Land Pattern Number	<a href="#">Refer to Application Note 1891</a>
<b>THERMAL RESISTANCE, FOUR-LAYER BOARD:</b>	
Junction to Ambient (θ <sub>JA</sub> )	40°C/W
Junction to Case (θ <sub>JC</sub> )	N/A

For the latest package outline information and land patterns (footprints), go to [www.maximintegrated.com/packages](http://www.maximintegrated.com/packages). Note that a "+", "#", or "-" in the package code indicates RoHS status only. Package drawings may show a different suffix character, but the drawing pertains to the package regardless of RoHS status.

Package thermal resistances were obtained using the method described in JEDEC specification JESD51-7, using a four-layer board. For detailed information on package thermal considerations, refer to [www.maximintegrated.com/thermal-tutorial](http://www.maximintegrated.com/thermal-tutorial).

## Electrical Characteristics

( $V_{RECT} = 3V$  to  $20V$ ,  $T_A = -40^{\circ}C$  to  $+85^{\circ}C$ , unless otherwise noted, limits are 100% tested at  $T_A = +25^{\circ}C$ ; limits over the operating temperature range and relevant supply voltage range are guaranteed by design and characterization, unless otherwise noted.)

PARAMETER	SYMBOL	CONDITIONS	MIN	TYP	MAX	UNITS
Input Supply Current	$I_{VRECT}$	No load		5		mA
Disable Supply Current	$I_{VRECT\_SHDN}$	DIS = 1, $V_{RECT} = 5V$		2.1		mA
Disable supply Current	$I_{VRECT\_SHDN}$	DIS = 1, $V_{RECT} = 20V$		2.2		mA
Undervoltage Lockout Threshold	$V_{UVLO}$	$V_{RECT}$ rising	2.4		2.9	V
Undervoltage Lockout Hysteresis	$V_{UVLO\_HYS}$			400		mV
Internal Pulldown Resistance for DIS and P2PEN	$R_{PD}$	Pulldown resistance to AGND	400	800	1600	k $\Omega$
<b>VOLTAGE REGULATORS</b>						
Voltage Regulator for Internal Blocks	$V_{CC}$		4.06	4.275	4.49	V
	$V_{DD}$		1.496	1.575	1.65	
V1P8 Voltage Regulator	V1P8	$I_{V1P8} = 20mA$	1.71	1.8	1.89	V
<b>LDO</b>						
HV LDO Input Voltage Range	$V_{RECT}$		3		20	V
$V_{OUT}$ Programmable Range Through I <sup>2</sup> C	$V_{OUTPRG}$	100mV step	3.5		12.7	V
HV LDO Startup Rate	$t_{LDOSTUP}$	$I_{OUT} = 0mA$		0.5		V/ms
HV LDO Line Regulation	$\Delta V_{OUT}/\Delta V_{IN}$	LDO_VOUTSET[6:0] = 0x32, $I_{OUT} = 1mA$ ; $V_{RECT} = 6V$ to $12V$		0.1		%
HV LDO Load Regulation	$\Delta V_{OUT}/\Delta I_{OUT}$	LDO_VOUTSET[6:0] = 0x32, $I_{OUT} = 1mA$ to $1A$ , $V_{RECT} = 5.2V$		0.5		%
HV LDO Load Transient		$I_{OUT} = 1mA$ to $1A$ and $1A$ to $1mA$ within $20\mu s$		$\pm 8$		%
HV LDO Dropout Voltage	$V_{DO}$	LDO_VOUTSET[6:0] = 0x32, $I_{OUT} = 1A$ , $V_{DO} = V_{RECT} - V_{OUT}$			100	mV
HV LDO Current Limit	$I_{LIM}$	LDO_ILIMSET[4:0] = 0x1A, LDO_VOUTSET[6:0] = 0x32, $V_{RECT} = +5.1V$ , $V_{OUT} = +4.8V$	1.1		1.5	A
Output Voltage Initial Accuracy	$V_{OUT\_ACC}$	LDO_VOUTSET[6:0] = 0x32, $I_{OUT} = 1mA$ , $T_A = +25^{\circ}C$	-2		+2	%
<b>COMM PINS</b>						
COMMn On-Resistance	$R_{COMM}$			1		$\Omega$
COMMn Leakage Current	$I_{COMM}$	$V_{COMM1} = V_{COMM2} = 20V$ , $T_A = +25^{\circ}C$			1	$\mu A$
<b>CLAMP PINS</b>						
CLAMPn On-Resistance	$R_{CLAMP}$			0.5		$\Omega$
CLAMPn Leakage Current	$I_{CLAMP}$	$V_{CLAMP1} = V_{CLAMP2} = 20V$ , $T_A = +25^{\circ}C$			1	$\mu A$
OVP Preclamp Threshold	OVLOPRECLAMP	$V_{RECT}$ rising		16		V



## Electrical Characteristics (continued)

( $V_{RECT} = 3V$  to  $20V$ ,  $T_A = -40^{\circ}C$  to  $+85^{\circ}C$ , unless otherwise noted, limits are 100% tested at  $T_A = +25^{\circ}C$ ; limits over the operating temperature range and relevant supply voltage range are guaranteed by design and characterization, unless otherwise noted.)

PARAMETER	SYMBOL	CONDITIONS	MIN	TYP	MAX	UNITS
<b>SYNCHRONOUS RECTIFIER</b>						
High-Side Switch On-Resistance	$R_{ON\_HS}$			50		m $\Omega$
Low-Side Switch On-Resistance	$R_{ON\_LS}$			50		m $\Omega$
<b>ADC</b>						
ADC Reference Voltage	$V_{ADC\_REF}$	No load	1.237	1.25	1.262	V
Initial ADC Accumulated Error for $V_{RECT}$	$ADC\_ERR\_VRECT$	$V_{RECT} = 3V$ to $15V$ , production tested at $3.5V$ , $7.5V$ , and $14.5V$	-1		+1	%
Initial ADC Accumulated Error for $V_{OUT}$	$ADC\_ERR\_VOUT$	$V_{OUT} = 3.6V$ to $10V$ , production tested at $3.5V$ , $6.5V$ , and $9.5V$	-1		+1	%
Initial ADC Accumulated Error for ISNS	$ADC\_ERR\_ISNS$	Current range 0 to 1A, $T_A = +25^{\circ}C$	-10		+10	mA
<b>DEMODULATOR</b>						
DMODIN Input Resistance				0.7		m $\Omega$
DMODIN Minimum Detectable Input Voltage			200			mV
<b>THERMAL PROTECTION</b>						
Thermal Shutdown	$T_{JOFF}$	$T_J$ rising		165		$^{\circ}C$
Thermal-Shutdown Hysteresis	$T_{JOFFHYS}$	$T_J$ falling		10		$^{\circ}C$
Temperature-Warning Threshold	$T_{JWARN}$			120		$^{\circ}C$
<b>LOGIC OUTPUT</b>						
WP_DET Output High Voltage		Source current 5mA	V1P8 - 0.4			V
WP_DET Output Low Voltage		Sink current 5mA			0.4	V
INTB Output Low Voltage	$V_{OL}$	Sink current 20mA			0.4	V
<b>LOGIC INPUT</b>						
P2PEN Input High Voltage			1.4			V
P2PEN Input Low Voltage					0.4	V
P2PEN Input Leakage Current					1	$\mu A$
DIS Input High Voltage			1.4			V
DIS Input Low Voltage					0.4	V
DIS Input Leakage Current					1	$\mu A$

## Electrical Characteristics (continued)

( $V_{RECT} = 3V$  to  $20V$ ,  $T_A = -40^{\circ}C$  to  $+85^{\circ}C$ , unless otherwise noted, limits are 100% tested at  $T_A = +25^{\circ}C$ ; limits over the operating temperature range and relevant supply voltage range are guaranteed by design and characterization, unless otherwise noted.)

PARAMETER	SYMBOL	CONDITIONS	MIN	TYP	MAX	UNITS
<b>I<sup>2</sup>C INTERFACE</b>						
SCL, SDA Input High Voltage	$V_{IH}$		1.4			V
SCL, SDA Input Low Voltage	$V_{IL}$				0.4	V
SCL, SDA Input Hysteresis	$V_{HYS}$			0.2		V
SCL, SDA Input Leakage Current	$I_I$	$0.1 \times V_{DD} < SCL/SDA < 0.9 \times V_{DD}$	-1		+1	$\mu A$
SDA Output Low Voltage	$V_{OL}$	Sinking 10mA			0.4	V
SCL, SDA Pin Capacitance	$C_I$			10		pF
Output Fall Time from $V_{IH}$ to $V_{IL}$	$t_{OF}$				300	ns
Clock Frequency	$f_{SCL}$		0		400	kHz
Hold Time Repeated Start Condition	$t_{HD:STA}$	Note 4	0.6			$\mu s$
SCL Low Period	$t_{LOW}$		1.3			$\mu s$
SCL High Period	$t_{HIGH}$		0.6			$\mu s$
Setup Time Repeated Start Condition	$t_{SU\_STA}$		0.6			$\mu s$
Data Hold Time	$t_{HD\_DAT}$	Note 5	0		0.9	$\mu s$
Data Setup Time	$t_{SU\_DAT}$		100			ns
Setup Time for STOP Condition	$t_{SU\_STO}$		0.6			$\mu s$
Bus Free Time Between STOP and START Condition	$t_{BUF}$		1.3			$\mu s$
Data Valid Time	$t_{VD:DAT}$				0.9	$\mu s$
Data Valid Acknowledge Time	$t_{VD:ACK}$				0.9	$\mu s$
Bus Capacitance	$C_B$				550	pF
Pulse Width of Suppressed Spikes	$t_{SP}$	Maximum pulse width of spikes that must be suppressed by the input filter		50		ns

**Note 1:** Limits are 100% production tested at  $T_A = +25^{\circ}C$ . Limits over the operating temperature range and relevant supply voltage range are guaranteed by design and characterization.

**Note 2:** All voltages are referenced to AGND.

**Note 3:** Test is performed on unmounted/unsoldered ports.

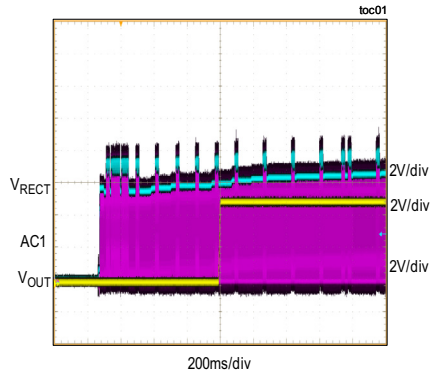
**Note 4:**  $f_{SCL}$  must meet the minimum clock low time plus the rise/fall times.

**Note 5:** The maximum  $t_{HD:DAT}$  has to be met only if the device does not stretch the low period ( $t_{LOW}$ ) of the SCL signal.

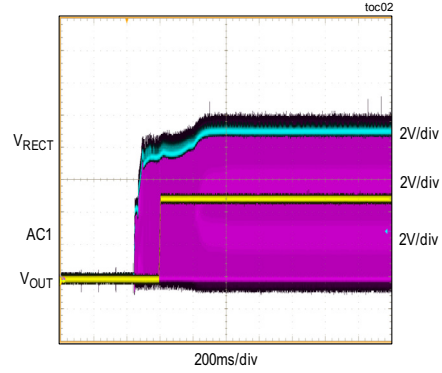
### Typical Operating Characteristics

(Using WPC A11 and PMA 7 transmitters at  $T_A = +25^\circ\text{C}$ , unless otherwise noted.)

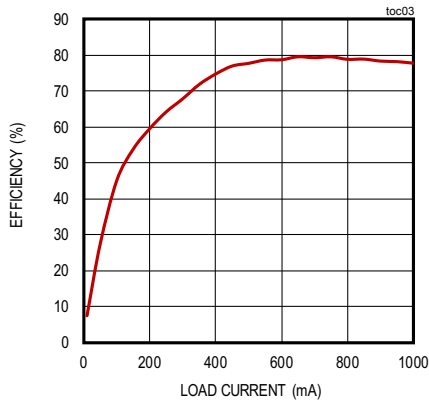
WPC MODE NO LOAD START-UP



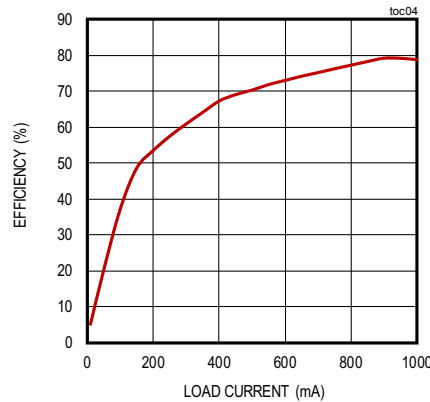
PMA MODE NO LOAD START-UP



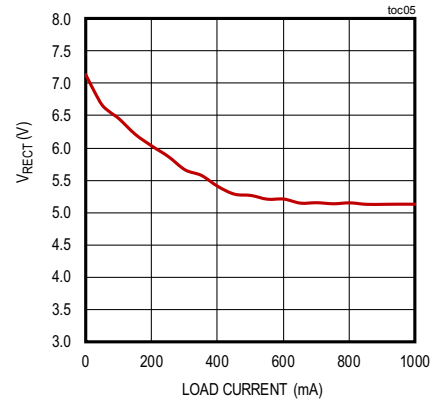
WPC MODE DC-DC EFFICIENCY



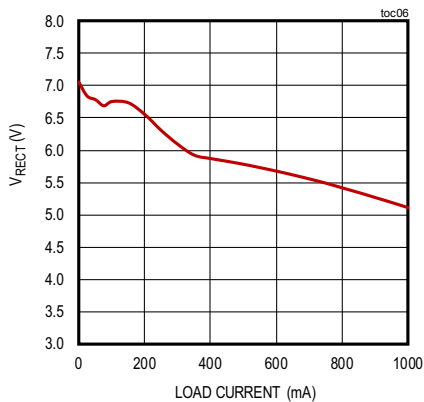
PMA MODE DC-DC EFFICIENCY



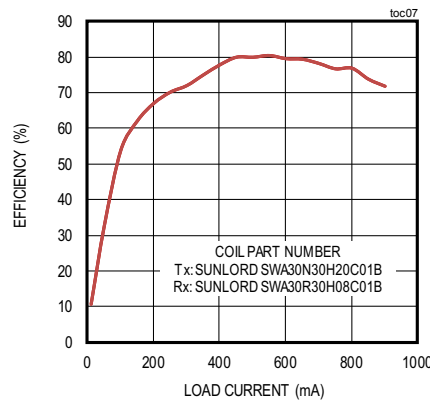
RECTIFIER VOLTAGE IN WPC MODE



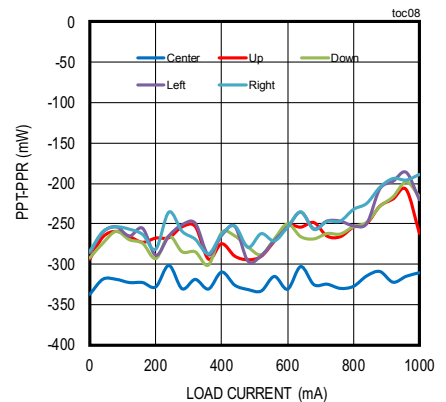
RECTIFIER VOLTAGE IN PMA MODE



PeerPower MODE DC-DC EFFICIENCY

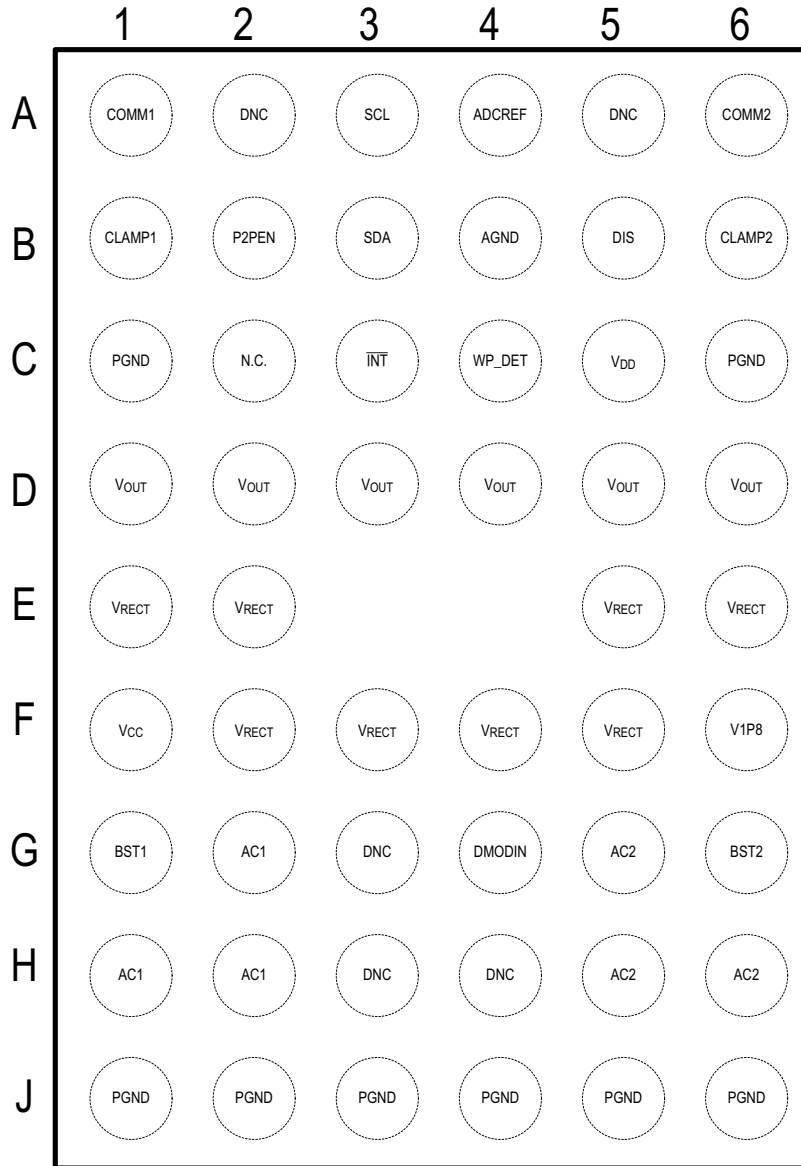


WPC FOREIGN OBJECT DETECTION



**Bump Configuration**

TOP VIEW  
(BUMP SIDE DOWN)

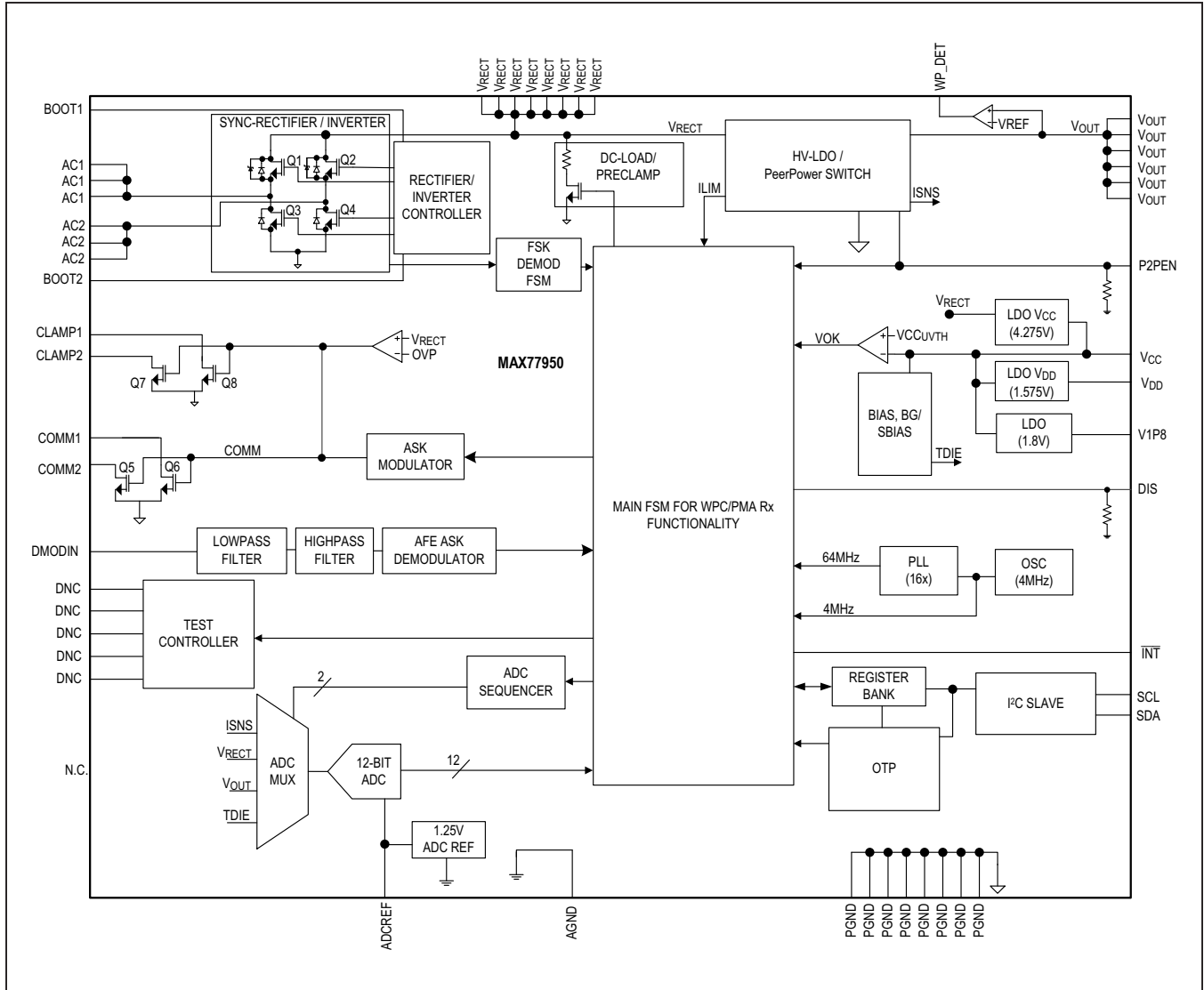


( 52-Bump WLP, 0.4mm pitch )

## Bump Description

PIN	NAME	FUNCTION	TYPE
A1	COMM1	Open-Drain Output. Achieves the AC modulation to communicate with the Tx.	Digital Output
A2, A5, G3, H3, H4	DNC	Do Not Connect. Leave open in system.	Analog I/O
A3	SCL	I <sup>2</sup> C Clock Input	Digital Input
A4	ADCREP	ADC Reference Voltage. Bypass to ground with a 1 $\mu$ F ceramic capacitor.	Analog Output
A6	COMM2	Open-Drain Output. Achieves the AC modulation to communicate with the Tx.	Digital Output
B1	CLAMP1	Open-Drain Outputs. Switches to modulate ASK to communicate with Tx. Turns on when V <sub>RECT</sub> overvoltage event occurs.	Digital Output
B2	P2PEN	PeerPower function active-high enable input.	Digital Input
B3	SDA	I <sup>2</sup> C Data Input/Output	Digital I/O
B4	AGND	Analog Reference Ground. "Star-ground" connection to system GND.	Ground
B5	DIS	Disable Pin, Active-High	Digital Input
B6	CLAMP2	Open-Drain Outputs. Switches to modulate ASK to communicate with Tx. Turns on when V <sub>RECT</sub> overvoltage event occurs.	Digital Output
C1, C6, J1– J6	PGND	Power Ground	Ground
C2	N.C.	Not Internally Connected. Can connect to power, ground, or leave open.	No Connect
C3	$\overline{\text{INT}}$	Open-Drain, Active-Low Interrupt Output	Digital Output
C4	WP_DET	Wireless Power Detected Output. Active-high	Digital Output
C5	V <sub>DD</sub>	+1.575V linear regulator low ripple output for internal use. Bypass to ground with a 1 $\mu$ F ceramic capacitor.	Power Output
D1–D6	V <sub>OUT</sub>	Linear Regulator Output. Bypass to ground with two 10 $\mu$ F capacitors.	Power I/O
E1, E2, F2–F5, E5, E6	V <sub>RECT</sub>	Rectifier's Output. Bypass to ground with three 10 $\mu$ F and one 100nF ceramic capacitor.	Power I/O
F1	V <sub>CC</sub>	+4.275V linear regulator low ripple output for internal use. Bypass to ground with a 1 $\mu$ F ceramic capacitor.	Power Output
F6	V1P8	+1.8V linear regulator low ripple output. Bypass to ground with a 1 $\mu$ F ceramic capacitor.	Power Output
G1	BST1	Bootstrap pin for rectifier's high side n-channel FET gate driver.	Analog Output
G2, H1, H2	AC1	Rectifier Input. Connect to receiver LC tank.	Power Input
G4	DMODIN	Amplitude Shift Keying Demodulator Input	Analog Input
G5, H5, H6	AC2	Rectifier Input. Connect to receiver LC tank.	Power Input
G6	BST2	Bootstrap pin for rectifier's high side n-channel FET gate driver	Analog Output

Functional Diagram



## Detailed Description

### Wireless Power Transfer System Overview

A wireless power system consists of a base station on the primary side and a power receiver on the secondary side, as shown in [Figure 1](#). The base station (referred to as a power transmitter), comprises a power conversion unit, primary coil, communications demodulator, and control unit. The power receiver comprises a secondary coil, power pick-up unit, communications modulator, and controller.

When the receiver is placed on top of the transmitter's interface surface, the magnetic field that is generated by the primary coil induces a voltage on the secondary coil when the coils are magnetically coupled together. The output voltage of the receiver is regulated, and the received power is controlled through the communications and control unit in the receiver. The receiver communicates with the transmitter for requesting increased power, decreased power, no change in power transfer, or power-transfer termination. This communication is conducted in-band between the coils and is digitally overlaid on top of the power signal. The impedance on the secondary side

is modulated as the receiver communicates, which is captured as load modulation by the primary coil. The transmitter changes frequency, duty cycle, or even voltage input of the power inverter to meet the demand of power that the receiver requests through the communication.

In WPC mode, the transmitter detects the modulation of the current and/or voltage across the primary coil and demodulates communication messages known as packets. A few examples of WPC packets are control error packet, received power packet, and end power transfer packet. The digital communication scheme, in the WPC protocol, utilizes differential bi-phase encoding as ONE and ZERO bits are transferred from the secondary to primary at a rate of 2kbps.

The PMA communication protocol operates continuously to transmit symbol messages that are encoded through frequency-based modulation. The receiver can send six different types of symbols to the transmitter using different frequency rates between 250Hz and 8kHz. They include decrement (DEC), increment (INC), no change (NoCh), end of charge (EOC), MsgBit, and a proprietary symbol intended for future use.

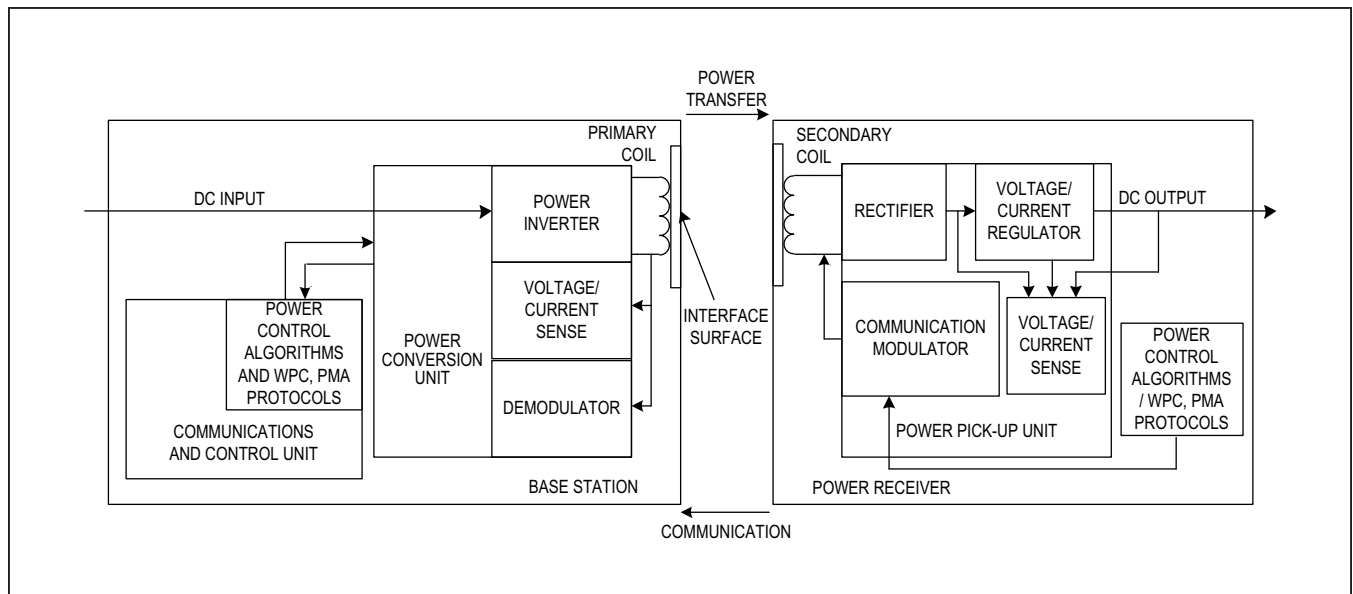


Figure 1. Wireless Power Transfer System Diagram

**Rectified-Voltage Control Loop**

The rectified voltage ( $V_{RECT}$ ) is regulated by a closed control loop between the wireless power transmitter (base station) and the wireless power receiver (mobile device). To achieve the best compromise between optimal efficiency and output load transient response, the rectified voltage is regulated based on the output current. The  $V_{RECT}$  profile versus the load can be programmed in the following user registers, as shown in Figure 2.

The  $V_{RECT}$  target voltage is stored in eight 8-bit registers allocated for WPC mode ( $V_{RECT\_TARGET\_Y0}$  to  $V_{RECT\_TARGET\_Y7}$ ) and eight 8-bit registers allocated for PMA mode ( $V_{RECT\_TARGET\_PMA\_Y0}$  to  $V_{RECT\_TARGET\_PMA\_Y7}$ ). The output current is divided into eight thresholds which are stored in the registers  $V_{RECT\_TARGET\_X0}$  to  $V_{RECT\_TARGET\_X7}$ . Different  $V_{RECT}$  target profiles are used for WPC and PMA due to the different power transfer profile characteristics.

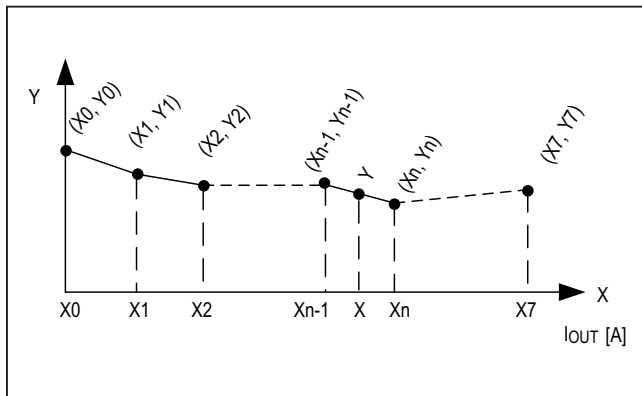


Figure 2. Rectified Voltage Profile vs. Output Current

The following equation calculates the  $V_{RECT}$  target based on linear interpolation between the adjacent coefficients:

$$y = y_{n-1} + \frac{(x - x_{n-1})(y_n - y_{n-1})}{x_n - x_{n-1}}$$

Where X is the actual output current reading:

$$V_{RECT\_TARGET\_X_n} = \frac{X_n(A) \times 255 \times 0.73}{1.25}$$

$$V_{RECT\_TARGET\_Y_n} = \frac{Y_n(V) \times 255}{1.25 \times 12}$$

$$V_{RECT\_TARGET\_PMA\_Y_n} = \frac{Y_n(V) \times 255}{1.25 \times 12}$$

**PeerPower Function**

**Overview**

The PeerPower function enables one mobile device to charge another mobile device wirelessly. Figure 3 shows the main concept.

The MAX77950 is a highly configurable wireless power IC that allows the user to reconfigure the rectifier into a full-bridge inverter, achieving high-efficiency power transfer due to low  $R_{DS(ON)}$  of the power MOSFETs.

Once P2PEN is pulled high, the switch located between  $V_{OUT}$  and  $V_{RECT}$  is turned on and the inverter generates a digital ping repeatedly. The IC continues power transfer once it receives the signal strength packet and also terminates power transfer after the end power transfer packet is received. A demodulated packet is stored in the registers (such as TX\_WPC\_HEADER, TX\_WPC\_DATA0/..17) until the next packet comes.

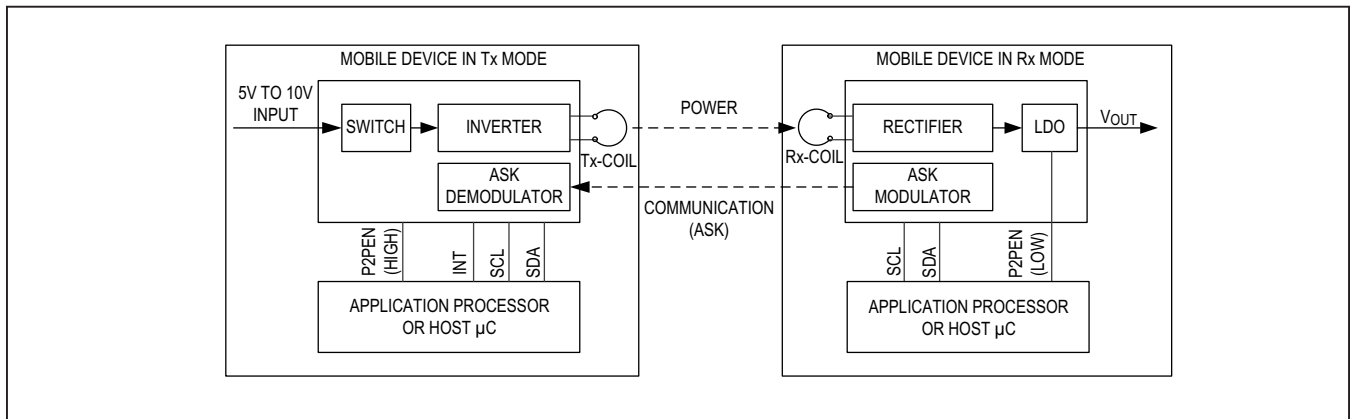


Figure 3. System-Level Block Diagram in PeerPower Mode



In PeerPower mode, the IC can generate interrupts in power transfer phase whenever it receives WPC packets that are non-zero CEP, RPP, CSP, EPT, and PPP so that an application processor or microcontroller notices it. To make this, a user needs to enable the ASK\_DEMOD\_PT\_INT\_EN bit. Then, INT goes low and the ASK\_DEMOD\_PT bit is set whenever the IC receives packets in power transfer phase.

To operate the IC in PeerPower mode, the following steps must be followed:

- 1) Supply an input voltage to the output of the LDO ( $V_{OUT}$  pin).
- 2) Program initial frequency into TX\_FOP\_SET\_H/L; otherwise, the inverter will operate at 125kHz since it is the default frequency.
- 3) Pull P2PEN pin high to make LDO be a switch and run the inverter.

### Wireless Power Detection Function

The IC offers a WP\_DET output that is a power-good indicator that monitors the  $V_{OUT}$  level. The WP\_DET output goes high once  $V_{OUT}$  exceeds the level programmed in WPDET\_H\_Threshold[1:0] and it goes low once  $V_{OUT}$  drops down to the level programmed in WPDET\_L\_Threshold[1:0].

### Clamp Function

An overvoltage event may occur when the mobile device is moved over the transmitter's surface, or when partially removed from the mobile device and quickly placed on the power transmitter. In addition, it may occur during the ping stage in PMA mode. The IC has preclamp and clamp features to limit the rectifier-output voltage as an overvoltage protection. The preclamp pulls 250mA from  $V_{RECT}$  to PGND when the voltage on  $V_{RECT}$  exceeds 16V. If the rectifier-output voltage reaches 17V, even after the preclamp is activated, the IC turns on FETs between CLAMP1/2 and PGND as an additional protection. The preclamp and the clamp thresholds are both programmable through I<sup>2</sup>C.

### ASK/FSK Demodulation

The IC contains an ASK demodulation block that demodulates WPC ASK in PeerPower mode. In WPC, transmitted power is coupled to the receiver coil. When the receiver is powered up, it communicates with the transmitter at 2kHz

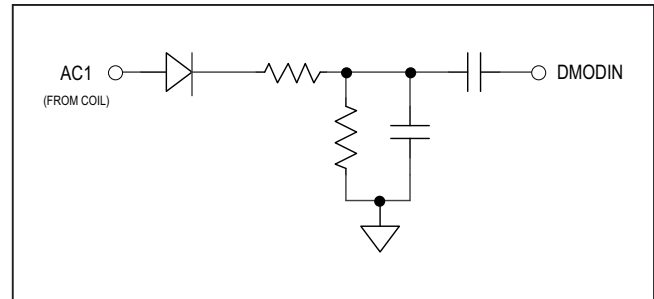


Figure 4. External Circuits for Envelope Detection, Level Shifting, and AC Coupling

by modulating the impedance of the receiver coil with communication capacitors. The function of the IC's ASK demodulator is to detect the 2kHz communication signal from the power signal.

The external circuits, shown in Figure 4, are required for the ASK demodulation in PeerPower mode. If the user application does not require PeerPower mode, the circuit is not necessary, so connect the DMODIN pin to GND.

The IC can demodulate the PMA advertising packet and WPC FSK with the FSK demodulation block.

The IC demodulates WPC FSK by using positive (+) polarity with modulation depth 0 following WPC Power Class 0 specification, version 1.2.1.

### Foreign Object Detection (FOD)

As stated in the WPC specifications, a foreign object is defined as any object positioned on the interface surface of a base station but not part of the mobile device, such as coins, keys, or other metals. If the foreign object is within the active area, it may heat up during the power transfer, due to eddy currents, resulting from the oscillating magnetic field. Power loss is the key to detecting foreign objects and limiting the power loss on a wireless power system actually limits the heat. To start a power-transfer cycle during the selection phase, the transmitter detects and locates objects that are placed on the interface surface and attempts to differentiate between the foreign objects and a possible power receiver device. Once the wireless power receiver is discovered and the power transmitter completes the identification and the configuration phase, the power receiver reports to the power transmitter its received power in a received power packet ( $P_{RECEIVED}$ ).

The received power ( $P_{PR}$ ) equals the power available from the output of the power receiver, plus any power lost in producing that output power. For example, the power loss includes, but is not limited to:

- Power loss in the secondary coil and series resonant capacitor
- Power loss in the shielding of the power receiver
- Power loss in the rectifier
- Power loss in any post-regulation stage
- Eddy current loss in metal components or contacts within the power receiver

The IC complies with the WPC low-power (v1.2) requirement:

$$P_{RECEIVED} - 350\text{mW} \leq P_{PR} \leq P_{RECEIVED}$$

This means that the reported received power is an over-estimate of the actual received power, by 350mW, where  $P_{PR}$  is the actual received power determined by the mobile device by measuring its load power and adding the estimated parasitic power losses.

The IC has high-precision output current-sensing capabilities and accurate  $V_{RECT}$  control over the operating load, ensuring they are sufficient to estimate the received power and comply with WPC (v1.2) FOD requirements.

The IC provides registers that are  $FOD\_X_n$  and  $FOD\_Y_n$  as part of the received power look-up table (LUT). Based on this LUT, the state machine sends a received power packet that is specified in the WPC requirements.

$FOD\_X_n$  stores 16 X-coordinates for output current values and  $FOD\_Y_n$  stores 16 Y-coordinates of received power values so it makes 16 pairs of coordinates, as shown in [Figure 5](#).

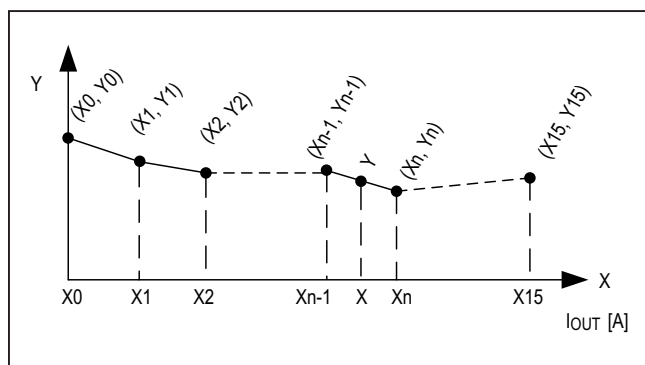


Figure 5. FOD Coefficients vs. Load Current

Between each coordinate, the values are interpolated linearly, as shown in the following equation:

$$y = y_{n-1} + \frac{(x - x_{n-1})(y_n - y_{n-1})}{x_n - x_{n-1}}$$

Equations for the FOD register are:

$$FOD\_X_n = \frac{X_n(A) \times 255 \times 0.73}{1.25}$$

$$FOD\_Y_n = \frac{Y_n(W) \times 128 \times 2}{10}$$

### Watchdog Function

The IC supports a watchdog function that disables the main LDO output in case the watchdog timer expires. When the  $WDOG\_INT\_EN$  bit is set, it enables the watchdog function as well as the associated interrupt ( $WDOG\_INT$ ). The default timer is 41.5s. To keep the main LDO outputs after setting the  $WDOG\_INT\_EN$  bit, an application processor must periodically set the  $WDOG\_INT\_CLR$  bit before the timer expires. If the  $WDOG\_INT\_CLR$  bit is set, the timer is reset, and the  $WDOG\_INT$  bit cleared. This feature prevents the IC from supplying power to a charger when the application processor freezes. To turn the main LDO back on, the application processor needs to set the  $WDOG\_INT\_CLR$  and  $Toggle\_LDO$  bits. The timer options are programmable by OTP.

### Sending End Power Transfer (EPT)/End of Charge (EOC)

The WPC EPT packet and the PMA EOC symbol is sent to a transmitter only by setting  $SEND\_EPT$  bit 1 in  $RX\_COM$  register (address : 0x20) or pulling the DIS pin high. The IC state machine does not send EPT or EOC by itself.

### Sending Proprietary Packets (PPP)

The IC supports PPP, that is defined in the WPC specifications. The maximum length of a PPP is 5 bytes of messages. An example procedure for sending a PPP (3 bytes of messages) is as follows:

1. Write 0x38 in  $PPP\_HEADER[7:0]$
2. Write the first message in  $RX\_DATA\_VALUE0[7:0]$
3. Write the second message in  $RX\_DATA\_VALUE1[7:0]$
4. Write the third message in  $RX\_DATA\_VALUE2[7:0]$
5. Set  $SEND\_RX\_DATA$  bit in  $RX\_COM[7:0]$

Register Map

ADDRESS	NAME	MSB							LSB	
<b>FUNCTIONAL</b>										
0x00	CHIP_ID[7:0]	CHIP_ID[7:0]								
0x05	OTP_REV[7:0]	OTP_REV[7:0]								
0x06	STATUS_L[7:0]	STAT_VOUT	STAT_VRECT	STAT_WDOG	FSK_RCVD	RESERVED	RESERVED	OVER_VOLTAGE	OVER_CURRENT	
0x07	STATUS_H[7:0]	OVER_TEMP	TX_OVER_CURRENT	TX_OVER_TEMP	RESERVED	TX_CONN	ASK_DEMOD_PING	ASK_DEMOD_IDCF	ASK_DEMOD_PT	
0x08	INT_L[7:0]	VOUT_INT	VRECT_INT	WDOG_INT	FSK_RCVD_INT	RESERVED	RESERVED	OV_INT	OC_INT	
0x09	INT_H[7:0]	OT_INT	TX_OC_INT	TX_OT_INT	RESERVED	TX_CONN_INT	ASK_DEMOD_PING_INT	ASK_DEMOD_IDCF_INT	ASK_DEMOD_PT_INT	
0x0A	INT_ENABLE_L[7:0]	VOUT_INT_EN	VRECT_INT_EN	WDOG_INT_EN	FSK_RCVD_INT_EN	RESERVED	RESERVED	OV_INT_EN	OC_INT_EN	
0x0B	INT_ENABLE_H[7:0]	OT_INT_EN	TX_OC_INT_EN	TX_OT_INT_EN	RESERVED	TX_CONN_INT_EN	ASK_DEMOD_PING_INT_EN	ASK_DEMOD_IDCF_INT_EN	ASK_DEMOD_PT_INT_EN	
0x0C	INT_CLEAR_L[7:0]	VOUT_INT_CLR	VRECT_INT_CLR	WDOG_INT_CLR	FSK_RCVD_INT_CLR	RESERVED	RESERVED	OV_INT_CLR	OC_INT_CLR	
0x0D	INT_CLEAR_H[7:0]	OT_INT_CLR	TX_OC_INT_CLR	TX_OT_INT_CLR	RESERVED	TX_CONN_INT_CLR	ASK_DEMOD_PING_INT_CLR	ASK_DEMOD_IDCF_INT_CLR	ASK_DEMOD_PT_INT_CLR	
0x0E	CHARGE_STATUS[7:0]	CHARGE_STATUS[7:0]								
0x0F	EPT_REASON[7:0]	EPT_REASON[7:0]								
0x10	VOUTVAL_H[7:0]	VOUTVAL[11:4]								
0x11	VOUTVAL_L[7:0]	RESERVED[3:0]				VOUTVAL[3:0]				
0x12	VOUTSET[7:0]	RE-SERVED	VOUTSET[6:0]							
0x13	VRECT_ADJ[7:0]	VRECT_ADJ[7:0]								
0x14	VRECTVAL_H[7:0]	VRECTVAL[11:4]								
0x15	VRECTVAL_L[7:0]	RESERVED[3:0]				VRECTVAL[3:0]				
0x16	ISENSEVAL_H[7:0]	ISENSEVAL[11:4]								
0x17	ISENSEVAL_L[7:0]	RESERVED[3:0]				ISENSEVAL[3:0]				
0x18	TDIE_VALUE[7:0]	TDIE_VALUE[7:0]								
0x19	OP_FREQ_L[7:0]	OP_FREQ[7:0]								
0x1A	OP_FREQ_H[7:0]	OP_FREQ[15:8]								
0x1B	PING_OP_FREQ_L[7:0]	PING_OP_FREQ[7:0]								

## Register Map (continued)

ADDRESS	NAME	MSB							LSB	
0x1C	PING_OP_FREQ_H[7:0]	PING_OP_FREQ[15:8]								
0x1D	LDO_ILIMSET[7:0]	RESERVED[2:0]			LDO_ILIMSET[4:0]					
0x1E	TX_ILIMSET[7:0]	RESERVED[2:0]			TX_ILIMSET[4:0]					
0x1F	SYS_OP_MODE[7:0]	SYS_OP_MODE[7:0]								
0x20	RX_COM[7:0]	RE-SERVED	RE-SERVED	CLEAR_INTERRUPT	SEND_CHARGE_STATUS	SEND_EPT	RE-SERVED	TOGGLE_LDO	SEND_RX_DATA	
0x21	PPP_HEADER[7:0]	PPP_HEADER[7:0]								
0x22	RX_DATA_VALUE0[7:0]	RX_DATA_VALUE0[7:0]								
0x23	RX_DATA_VALUE1[7:0]	RX_DATA_VALUE1[7:0]								
0x24	RX_DATA_VALUE2[7:0]	RX_DATA_VALUE2[7:0]								
0x25	RX_DATA_VALUE3[7:0]	RX_DATA_VALUE3[7:0]								
0x26	RX_DATA_VALUE4[7:0]	RX_DATA_VALUE4[7:0]								
0x27	FSK_DATA_VALUE0[7:0]	FSK_DATA_VALUE0[7:0]								
0x28	FSK_DATA_VALUE1[7:0]	FSK_DATA_VALUE1[7:0]								
0x29	FSK_DATA_VALUE2[7:0]	FSK_DATA_VALUE2[7:0]								
0x2A	TX_FOP_SET_L[7:0]	TX_FOP_SET[7:0]								
0x2B	TX_FOP_SET_H[7:0]	RESERVED[6:0]							TX_FOP_SET[8]	
0x2C	TX_FOP_TON_SET_L[7:0]	TX_FOP_TON_SET[7:0]								
0x2D	TX_FOP_TON_SET_H[7:0]	RESERVED[6:0]							TX_FOP_TON_SET[8]	
0x34	TX_WPC_HEADER[7:0]	TX_WPC_HEADER[7:0]								
0x35	TX_WPC_DATA0[7:0]	TX_WPC_DATA0[7:0]								
0x36	TX_WPC_DATA1[7:0]	TX_WPC_DATA1[7:0]								
0x37	TX_WPC_DATA2[7:0]	TX_WPC_DATA2[7:0]								
0x38	TX_WPC_DATA3[7:0]	TX_WPC_DATA3[7:0]								
0x39	TX_WPC_DATA4[7:0]	TX_WPC_DATA4[7:0]								
0x3A	TX_WPC_DATA5[7:0]	TX_WPC_DATA5[7:0]								
0x3B	TX_WPC_DATA6[7:0]	TX_WPC_DATA6[7:0]								

## Register Map (continued)

ADDRESS	NAME	MSB					LSB	
0x3C	TX_WPC_DATA7[7:0]	TX_WPC_DATA7[7:0]						
0x3D	TX_WPC_CHECKSUM[7:0]	TX_WPC_CHECKSUM[7:0]						
0x3E	FOD_X0[7:0]	FOD_X0[7:0]						
0x3F	FOD_Y0[7:0]	FOD_Y0[7:0]						
0x40	FOD_X1[7:0]	FOD_X1[7:0]						
0x41	FOD_Y1[7:0]	FOD_Y1[7:0]						
0x42	FOD_X2[7:0]	FOD_X2[7:0]						
0x43	FOD_Y2[7:0]	FOD_Y2[7:0]						
0x44	FOD_X3[7:0]	FOD_X3[7:0]						
0x45	FOD_Y3[7:0]	FOD_Y3[7:0]						
0x46	FOD_X4[7:0]	FOD_X4[7:0]						
0x47	FOD_Y4[7:0]	FOD_Y4[7:0]						
0x48	FOD_X5[7:0]	FOD_X5[7:0]						
0x49	FOD_Y5[7:0]	FOD_Y5[7:0]						
0x4A	FOD_X6[7:0]	FOD_X6[7:0]						
0x4B	FOD_Y6[7:0]	FOD_Y6[7:0]						
0x4C	FOD_X7[7:0]	FOD_X7[7:0]						
0x4D	FOD_Y7[7:0]	FOD_Y7[7:0]						
0x4E	FOD_X8[7:0]	FOD_X8[7:0]						
0x4F	FOD_Y8[7:0]	FOD_Y8[7:0]						
0x50	FOD_X9[7:0]	FOD_X9[7:0]						
0x51	FOD_Y9[7:0]	FOD_Y9[7:0]						
0x52	FOD_X10[7:0]	FOD_X10[7:0]						
0x53	FOD_Y10[7:0]	FOD_Y10[7:0]						
0x54	FOD_X11[7:0]	FOD_X11[7:0]						
0x55	FOD_Y11[7:0]	FOD_Y11[7:0]						
0x56	FOD_X12[7:0]	FOD_X12[7:0]						
0x57	FOD_Y12[7:0]	FOD_Y12[7:0]						
0x58	FOD_X13[7:0]	FOD_X13[7:0]						
0x59	FOD_Y13[7:0]	FOD_Y13[7:0]						
0x5A	FOD_X14[7:0]	FOD_X14[7:0]						
0x5B	FOD_Y14[7:0]	FOD_Y14[7:0]						
0x5C	FOD_X15[7:0]	FOD_X15[7:0]						
0x5D	FOD_Y15[7:0]	FOD_Y15[7:0]						
0x62	OV_CLAMP_VOLTAGE[7:0]	RESERVED[2:0]	POV_CLAMP_VOLTAGE	RESERVED[1:0]	OV_CLAMP_VOLTAGE[1:0]			
0x63	TX_LAST_CEP[7:0]	TX_LAST_CEP[7:0]						

## Register Map (continued)

ADDRESS	NAME	MSB					LSB
0x64	TX_LAST_RPP[7:0]	TX_LAST_RPP[7:0]					
0x65	TX_LAST_PCHP[7:0]	TX_LAST_PCHP[7:0]					
<b>LDO</b>							
0x70	LDO_WPDET_CNFG[7:0]	WPDET_H_DEBOUNCE[1:0]	WPDET_L_DEBOUNCE[1:0]	WPDET_H_THRESHOLD[1:0]	WPDET_L_THRESHOLD[1:0]		
<b>VRECT_TARGET</b>							
0xBA	VRECT_TARGET_X0[7:0]	VRECT_TARGET_X0[7:0]					
0xBB	VRECT_TARGET_Y0[7:0]	VRECT_TARGET_Y0[7:0]					
0xBC	VRECT_TARGET_PMA_Y0[7:0]	VRECT_TARGET_PMA_Y0[7:0]					
0xBD	VRECT_TARGET_X1[7:0]	VRECT_TARGET_X1[7:0]					
0xBE	VRECT_TARGET_Y1[7:0]	VRECT_TARGET_Y1[7:0]					
0xBF	VRECT_TARGET_PMA_Y1[7:0]	VRECT_TARGET_PMA_Y1[7:0]					
0xC0	VRECT_TARGET_X2[7:0]	VRECT_TARGET_X2[7:0]					
0xC1	VRECT_TARGET_Y2[7:0]	VRECT_TARGET_Y2[7:0]					
0xC2	VRECT_TARGET_PMA_Y2[7:0]	VRECT_TARGET_PMA_Y2[7:0]					
0xC3	VRECT_TARGET_X3[7:0]	VRECT_TARGET_X3[7:0]					
0xC4	VRECT_TARGET_Y3[7:0]	VRECT_TARGET_Y3[7:0]					
0xC5	VRECT_TARGET_PMA_Y3[7:0]	VRECT_TARGET_PMA_Y3[7:0]					
0xC6	VRECT_TARGET_X4[7:0]	VRECT_TARGET_X4[7:0]					
0xC7	VRECT_TARGET_Y4[7:0]	VRECT_TARGET_Y4[7:0]					
0xC8	VRECT_TARGET_PMA_Y4[7:0]	VRECT_TARGET_PMA_Y4[7:0]					
0xC9	VRECT_TARGET_X5[7:0]	VRECT_TARGET_X5[7:0]					
0xCA	VRECT_TARGET_Y5[7:0]	VRECT_TARGET_Y5[7:0]					
0xCB	VRECT_TARGET_PMA_Y5[7:0]	VRECT_TARGET_PMA_Y5[7:0]					

**Register Map (continued)**

ADDRESS	NAME	MSB						LSB	
0xCC	VRECT_TARGET_X6[7:0]	VRECT_TARGET_X6[7:0]							
0xCD	VRECT_TARGET_Y6[7:0]	VRECT_TARGET_Y6[7:0]							
0xCE	VRECT_TARGET_PMA_Y6[7:0]	VRECT_TARGET_PMA_Y6[7:0]							
0xCF	VRECT_TARGET_X7[7:0]	VRECT_TARGET_X7[7:0]							
0xD0	VRECT_TARGET_Y7[7:0]	VRECT_TARGET_Y7[7:0]							
0xD1	VRECT_TARGET_PMA_Y7[7:0]	VRECT_TARGET_PMA_Y7[7:0]							
<b>DEMOD</b>									
0xDB	PMA_ADV_DATA[7:0]	PMA_ADV_DATA[7:0]							
0xDC	PMA_ADV_CRC[7:0]	RESERVED[3:0]			PMA_ADV_CRC[3:0]				

**CHIP\_ID (0x00)**

BIT	7	6	5	4	3	2	1	0
<b>Field</b>	CHIP_ID[7:0]							
<b>Reset</b>	0b0001_0010							
<b>Access Type</b>	Read Only							

BITFIELD	BITS	DESCRIPTION
CHIP_ID	7:0	-

**OTP\_REV (0x05)**

BIT	7	6	5	4	3	2	1	0
<b>Field</b>	OTP_REV[7:0]							
<b>Reset</b>	0b0000_0000							
<b>Access Type</b>	Read Only							

BITFIELD	BITS	DESCRIPTION
OTP_REV	7:0	OTP revision

**STATUS\_L (0x06)**

BIT	7	6	5	4	3	2	1	0
Field	STAT_VOUT	STAT_VRECT	STAT_WDOG	FSK_RCVD	RESERVED	RESERVED	OVER_VOLTAGE	OVER_CURRENT
Reset	0b0	0b0	0b0	0b0	0b0	0b0	0b0	0b0
Access Type	Read Only	Read Only	Read Only	Read Only	Read Only	Read Only	Read Only	Read Only

BITFIELD	BITS	DESCRIPTION
STAT_VOUT	7	1: LDO is ON 0: LDO is OFF (Rx ONLY)
STAT_VRECT	6	1: VRECT is over UVLO (Rx ONLY)
STAT_WDOG	5	1: Watchdog timer expires 0: No watchdog timer expires
FSK_RCVD	4	1: FSK data sent by transmitter is received 0: No FSK data
RESERVED	3	RSVD
RESERVED	2	RSVD
OVER_VOLTAGE	1	1: Overvoltage (VRECT) 0: Normal
OVER_CURRENT	0	1: Overcurrent (LDO output current) in Rx mode 0: Normal

**STATUS\_H (0x07)**

BIT	7	6	5	4	3	2	1	0
Field	OVER_TEMP	TX_OVER_CURRENT	TX_OVER_TEMP	RESERVED	TX_CONN	ASK_DEMOD_PING	ASK_DEMOD_IDCF	ASK_DEMOD_PT
Reset	0b0	0b0	0b0	0b0	0b0	0b0	0b0	0b0
Access Type	Read Only	Read Only	Read Only	Read Only	Read Only	Read Only	Read Only	Read Only

BITFIELD	BITS	DESCRIPTION
OVER_TEMP	7	1: Overtemperature in Rx mode 0: Normal
TX_OVER_CURRENT	6	1: Overcurrent in Tx mode 0: Normal
TX_OVER_TEMP	5	1: Overtemperature in Tx mode 0: Normal
RESERVED	4	RSVD
TX_CONN	3	1: Power transfer established in Tx mode 0: No power transfer established
ASK_DEMOD_PING	2	1: Packet received in PING phase 0: No packet
ASK_DEMOD_IDCF	1	1: Packet received in ID and configuration phase 0: No packet
ASK_DEMOD_PT	0	1: Packet received in power transfer phase (count CEP if that is non zero) 0: No packet



**INT\_L (0x08)**

BIT	7	6	5	4	3	2	1	0
Field	VOUT_INT	VRECT_INT	WDOG_INT	FSK_RCVD_INT	RESERVED	RESERVED	OV_INT	OC_INT
Reset	0b0	0b0	0b0	0b0	0b0	0b0	0b0	0b0
Access Type	Read Only	Read Only	Read Only	Read Only	Read Only	Read Only	Read Only	Read Only

BITFIELD	BITS	DESCRIPTION
VOUT_INT	7	1: V <sub>OUT</sub> state change (off to on, on to off)
VRECT_INT	6	1: V <sub>RECT</sub> is over UVLO (Rx ONLY)
WDOG_INT	5	1: Watchdog timer expired
FSK_RCVD_INT	4	1: FSK data sent by transmitter is received
RESERVED	3	RSVD
RESERVED	2	RSVD
OV_INT	1	1: Overvoltage (V <sub>RECT</sub> ) 0: Normal
OC_INT	0	1: Overcurrent (LDO output current) in Rx mode 0: Normal

**INT\_H (0x09)**

BIT	7	6	5	4	3	2	1	0
Field	OT_INT	TX_OC_INT	TX_OT_INT	RESERVED	TX_CONN_INT	ASK_DEMOD_PING_INT	ASK_DEMOD_IDCF_INT	ASK_DEMOD_PT_INT
Reset	0b0	0b0	0b0	0b0	0b0	0b0	0b0	0b0
Access Type	Read Only	Read Only	Read Only	Read Only	Read Only	Read Only	Read Only	Read Only

BITFIELD	BITS	DESCRIPTION
OT_INT	7	1: Overtemperature in Rx mode
TX_OC_INT	6	1: Overcurrent in Tx mode
TX_OT_INT	5	1: Overtemperature in Tx mode
RESERVED	4	RSVD
TX_CONN_INT	3	1: Power transfer phase established in Tx mode
ASK_DEMOD_PING_INT	2	1: Packet received in PING Phase
ASK_DEMOD_IDCF_INT	1	1: Packet received in ID and configuration phase
ASK_DEMOD_PT_INT	0	1: Packet received in power transfer phase

**INT\_ENABLE\_L (0x0A)**

BIT	7	6	5	4	3	2	1	0
Field	VOUT_INT_EN	VRECT_INT_EN	WDOG_INT_EN	FSK_RCVD_INT_EN	RESERVED	RESERVED	OV_INT_EN	OC_INT_EN
Reset	0b0	0b0	0b0	0b0	0b0	0b0	0b0	0b0
Access Type	Write, Read	Write, Read	Write, Read	Write, Read	Write, Read	Write, Read	Write, Read	Write, Read

BITFIELD	BITS	DESCRIPTION
VOUT_INT_EN	7	1: Enable VOUT_INT 0: Disable
VRECT_INT_EN	6	1: Enable VRECT_INT 0: Disable
WDOG_INT_EN	5	1: Enable watchdog timer and associated interrupt 0: Disable
FSK_RCVD_INT_EN	4	1: Enable FSK_RCVD_INT 0: Disable
RESERVED	3	RSVD
RESERVED	2	RSVD
OV_INT_EN	1	1: Enable OV_INT 0: Disable
OC_INT_EN	0	1: Enable OC_INT 0: Disable

**INT\_ENABLE\_H (0x0B)**

BIT	7	6	5	4	3	2	1	0
Field	OT_INT_EN	TX_OC_INT_EN	TX_OT_INT_EN	RESERVED	TX_CONN_INT_EN	ASK_DEMOD_PING_INT_EN	ASK_DEMOD_IDCF_INT_EN	ASK_DEMOD_PT_INT_EN
Reset	0b0	0b0	0b0	0b0	0b0	0b0	0b0	0b0
Access Type	Write, Read	Write, Read	Write, Read	Write, Read	Write, Read	Write, Read	Write, Read	Write, Read

BITFIELD	BITS	DESCRIPTION
OT_INT_EN	7	1: Enable OT_INT 0: Disable
TX_OC_INT_EN	6	1: Enable TX_OC_INT 0: Disable
TX_OT_INT_EN	5	1: Enable TX_OT_INT 0: Disable
RESERVED	4	RSVD
TX_CONN_INT_EN	3	1: Enable TX_CONN_INT 0: Disable
ASK_DEMOD_PING_INT_EN	2	1: Enable ASK_DEMOD_PING_INT 0: Disable
ASK_DEMOD_IDCF_INT_EN	1	1: Enable ASK_DEMOD_IDCF_INT 0: Disable
ASK_DEMOD_PT_INT_EN	0	1: Enable ASK_DEMOD_PT_INT 0: Disable

**INT\_CLEAR\_L (0x0C)**

BIT	7	6	5	4	3	2	1	0
Field	VOUT_INT_CLR	VRECT_INT_CLR	WDOG_INT_CLR	FSK_RCVD_INT_CLR	RESERVED	RESERVED	OV_INT_CLR	OC_INT_CLR
Reset	0b0	0b0	0b0	0b0	0b0	0b0	0b0	0b0
Access Type	Write, Read	Write, Read	Write, Read	Write, Read	Write, Read	Write, Read	Write, Read	Write, Read

BITFIELD	BITS	DESCRIPTION
VOUT_INT_CLR	7	1: Clear VOUT_INT bit (this CLR bit resets automatically after being set)
VRECT_INT_CLR	6	1: Clear VRECT_INT bit (this CLR bit resets automatically after being set)
WDOG_INT_CLR	5	1: Clear WDOG_INT bit (this CLR bit resets automatically after being set)
FSK_RCVD_INT_CLR	4	1: Clear FSK_RCVD_INT (this CLR bit resets automatically after being set)
RESERVED	3	RSVD
RESERVED	2	RSVD
OV_INT_CLR	1	1: Clear OV_INT bit (this CLR bit resets automatically after being set)
OC_INT_CLR	0	1: Clear OC_INT bit (this CLR bit resets automatically after being set)

**INT\_CLEAR\_H (0x0D)**

BIT	7	6	5	4	3	2	1	0
Field	OT_INT_CLR	TX_OC_INT_CLR	TX_OT_INT_CLR	RESERVED	TX_CONN_INT_CLR	ASK_DEMOD_PING_INT_CLR	ASK_DEMOD_IDCF_INT_CLR	ASK_DEMOD_PT_INT_CLR
Reset	0b0	0b0	0b0	0b0	0b0	0b0	0b0	0b0
Access Type	Write, Read	Write, Read	Write, Read	Write, Read	Write, Read	Write, Read	Write, Read	Write, Read

BITFIELD	BITS	DESCRIPTION
OT_INT_CLR	7	1: Clear OT_INT bit (this CLR bit resets automatically after being set)
TX_OC_INT_CLR	6	1: Clear TX_OC_INT bit (this CLR bit resets automatically after being set)
TX_OT_INT_CLR	5	1: Clear TX_OT_INT bit (this CLR bit resets automatically after being set)
RESERVED	4	RSVD
TX_CONN_INT_CLR	3	1: Clear TX_CONN_INT bit (this CLR bit resets automatically after being set)
ASK_DEMOD_PING_INT_CLR	2	1: Clear ASK_DEMOD_PING_INT bit (this CLR bit resets automatically after being set)
ASK_DEMOD_IDCF_INT_CLR	1	1: Clear ASK_DEMOD_IDCF_INT bit (this CLR bit resets automatically after being set)
ASK_DEMOD_PT_INT_CLR	0	1: Clear ASK_DEMOD_PT_INT bit (this CLR bit resets automatically after being set)

**CHARGE\_STATUS (0x0E)**

BIT	7	6	5	4	3	2	1	0
Field	CHARGE_STATUS[7:0]							
Reset	0b1111_1111							
Access Type	Write, Read							

BITFIELD	BITS	DESCRIPTION
CHARGE_STATUS	7:0	Register for storing charge status as follows: 0x00: Reserved 0x01: Charge status = 1 (1%) 0x02: Charge status = 2 (2%) ..... 0x64: Charge status = 64 (100%) 0x65 to 0xFE: Reserved 0xFF: No battery charge device or not providing charge status packet

**EPT\_REASON (0x0F)**

BIT	7	6	5	4	3	2	1	0
Field	EPT_REASON[7:0]							
Reset	0b1111_1111							
Access Type	Write, Read							

BITFIELD	BITS	DESCRIPTION
EPT_REASON	7:0	A user can program the reason for the end power transfer request that is specified in the WPC specifications.

**VOUTVAL\_H (0x10)**

BIT	7	6	5	4	3	2	1	0
Field	VOUTVAL[11:4]							
Reset	0b0000_0000							
Access Type	Read Only							

BITFIELD	BITS	DESCRIPTION
VOUTVAL	7:0	8 MSB of VOUTVAL ADC value. $V_{OUT}(V) = VOUTVAL[11:0] \times (1.25/4095) \times 12$

**VOUTVAL\_L (0x11)**

BIT	7	6	5	4	3	2	1	0
Field	RESERVED[3:0]				VOUTVAL[3:0]			
Reset	0b0000				0b0000			
Access Type	Read Only				Read Only			

BITFIELD	BITS	DESCRIPTION
RESERVED	7:4	RSVD
VOUTVAL	3:0	4 LSB of VOUTVAL ADC value

**VOUTSET (0x12)**

<b>BIT</b>	<b>7</b>	<b>6</b>	<b>5</b>	<b>4</b>	<b>3</b>	<b>2</b>	<b>1</b>	<b>0</b>
<b>Field</b>	RESERVED	VOUTSET[6:0]						
<b>Reset</b>	0b0	0b011_0010						
<b>Access Type</b>	Write, Read	Write, Read						

<b>BITFIELD</b>	<b>BITS</b>	<b>DESCRIPTION</b>
RESERVED	7	RSVD
VOUTSET	6:0	Main LDO output-voltage-setting register. $V_{OUT}(V) = VOUTSET[6:0] \times 0.1$

**VRECT\_ADJ (0x13)**

<b>BIT</b>	<b>7</b>	<b>6</b>	<b>5</b>	<b>4</b>	<b>3</b>	<b>2</b>	<b>1</b>	<b>0</b>
<b>Field</b>	VRECT_ADJ[7:0]							
<b>Reset</b>	0b0000_0000							
<b>Access Type</b>	Write, Read							

<b>BITFIELD</b>	<b>BITS</b>	<b>DESCRIPTION</b>
VRECT_ADJ	7:0	2's complement signed integer representing values -128 ~ +127. Adjustment(V) = VRECT_ADJ x 12 x 1.25/255

**VRECTVAL\_H (0x14)**

<b>BIT</b>	<b>7</b>	<b>6</b>	<b>5</b>	<b>4</b>	<b>3</b>	<b>2</b>	<b>1</b>	<b>0</b>
<b>Field</b>	VRECTVAL[11:4]							
<b>Reset</b>	0b0000_0000							
<b>Access Type</b>	Read Only							

<b>BITFIELD</b>	<b>BITS</b>	<b>DESCRIPTION</b>
VRECTVAL	7:0	8 MSB of VRECTVAL ADC value. $V_{RECT}(V) = VRECTVAL[11:0] \times (1.25/4095) \times 12$

**VRECTVAL\_L (0x15)**

<b>BIT</b>	<b>7</b>	<b>6</b>	<b>5</b>	<b>4</b>	<b>3</b>	<b>2</b>	<b>1</b>	<b>0</b>
<b>Field</b>	RESERVED[3:0]				VRECTVAL[3:0]			
<b>Reset</b>	0b0000				0b0000			
<b>Access Type</b>	Read Only				Read Only			

<b>BITFIELD</b>	<b>BITS</b>	<b>DESCRIPTION</b>
RESERVED	7:4	RSVD
VRECTVAL	3:0	4 LSB of VRECTVAL ADC value

**ISENSEVAL\_H (0x16)**

<b>BIT</b>	<b>7</b>	<b>6</b>	<b>5</b>	<b>4</b>	<b>3</b>	<b>2</b>	<b>1</b>	<b>0</b>
<b>Field</b>	ISENSEVAL[11:4]							
<b>Reset</b>	0b0000_0000							
<b>Access Type</b>	Read Only							

<b>BITFIELD</b>	<b>BITS</b>	<b>DESCRIPTION</b>
ISENSEVAL	7:0	8 MSB of ISENSE ADC value. ISENSE(A) = ISENSEVAL[11:0] x (1.25/4095) x (1/0.73). Bidirectional measurement for Rx and Tx mode.

**ISENSEVAL\_L (0x17)**

<b>BIT</b>	<b>7</b>	<b>6</b>	<b>5</b>	<b>4</b>	<b>3</b>	<b>2</b>	<b>1</b>	<b>0</b>
<b>Field</b>	RESERVED[3:0]				ISENSEVAL[3:0]			
<b>Reset</b>	0b0000				0b0000			
<b>Access Type</b>	Read Only				Read Only			

<b>BITFIELD</b>	<b>BITS</b>	<b>DESCRIPTION</b>
RESERVED	7:4	RSVD
ISENSEVAL	3:0	4 LSB of ISENSEVAL ADC value

**TDIE\_VALUE (0x18)**

<b>BIT</b>	<b>7</b>	<b>6</b>	<b>5</b>	<b>4</b>	<b>3</b>	<b>2</b>	<b>1</b>	<b>0</b>
<b>Field</b>	TDIE_VALUE[7:0]							
<b>Reset</b>	0b0000_0000							
<b>Access Type</b>	Read Only							

<b>BITFIELD</b>	<b>BITS</b>	<b>DESCRIPTION</b>
TDIE_VALUE	7:0	Die temperature value = TDIE_VALUE[7:0] x 16 x 0.108603481–262.1459

**OP\_FREQ\_L (0x19)**

<b>BIT</b>	<b>7</b>	<b>6</b>	<b>5</b>	<b>4</b>	<b>3</b>	<b>2</b>	<b>1</b>	<b>0</b>
<b>Field</b>	OP_FREQ[7:0]							
<b>Reset</b>	0b0000_0000							
<b>Access Type</b>	Read Only							

<b>BITFIELD</b>	<b>BITS</b>	<b>DESCRIPTION</b>
OP_FREQ	7:0	8 LSB of OP_FREQ. AC operation frequency in Rx and Tx mode. $FREQ(Hz) = 64 \times 10^6 / OP\_FREQ[15:0]$

**OP\_FREQ\_H (0x1A)**

BIT	7	6	5	4	3	2	1	0
Field	OP_FREQ[15:8]							
Reset	0b0000_0000							
Access Type	Read Only							

BITFIELD	BITS	DESCRIPTION
OP_FREQ	7:0	8 MSB of OP_FREQ. AC operation frequency in Rx and Tx mode. FREQ(Hz) = $64 \times 10^6 / \text{OP\_FREQ}[15:0]$

**PING\_OP\_FREQ\_L (0x1B)**

BIT	7	6	5	4	3	2	1	0
Field	PING_OP_FREQ[7:0]							
Reset	0b0000_0000							
Access Type	Read Only							

BITFIELD	BITS	DESCRIPTION
PING_OP_FREQ	7:0	8 LSB of PING_OP_FREQ. AC frequency captured in PING phase. PING FREQ(Hz) = $64 \times 10^6 / \text{PING\_OP\_FREQ}[15:0]$

**PING\_OP\_FREQ\_H (0x1C)**

BIT	7	6	5	4	3	2	1	0
Field	PING_OP_FREQ[15:8]							
Reset	0b0000_0000							
Access Type	Read Only							

BITFIELD	BITS	DESCRIPTION
PING_OP_FREQ	7:0	8 MSB of PING_OP_FREQ. AC frequency captured in PING phase.

**LDO\_ILIMSET (0x1D)**

BIT	7	6	5	4	3	2	1	0
Field	RESERVED[2:0]			LDO_ILIMSET[4:0]				
Reset	0b000			0b1_1010				
Access Type	Write, Read			Write, Read				

BITFIELD	BITS	DESCRIPTION
RESERVED	7:5	RSVD
LDO_ILIMSET	4:0	LDO current-limit-setting register. ILIM(A) = LDO_ILIMSET[4:0] x 0.05. ILIM lower clamp = 20mA, ILIM upper clamp = 1.5A

**TX\_ILIMSET (0x1E)**

BIT	7	6	5	4	3	2	1	0
Field	RESERVED[2:0]			TX_ILIMSET[4:0]				
Reset	0b000			0b0_1010				
Access Type	Write, Read			Write, Read				

BITFIELD	BITS	DESCRIPTION
RESERVED	7:5	RSVD
TX_ILIMSET	4:0	Tx (PeerPower) mode input current-limit-setting register. ILIM(A) = TX_ILIMSET[4:0] x 0.05. ILIM lower clamp = 20mA, ILIM upper clamp = 1.5A

**SYS\_OP\_MODE (0x1F)**

BIT	7	6	5	4	3	2	1	0
Field	SYS_OP_MODE[7:0]							
Reset	0b0000_0000							
Access Type	Read Only							

BITFIELD	BITS	DESCRIPTION
SYS_OP_MODE	7:0	0x00: Initial state 0x01: WPC Rx mode 0x02: PMA Rx mode 0x04: Tx mode (PeerPower)

**RX\_COM (0x20)**

BIT	7	6	5	4	3	2	1	0
Field	RESERVED	RESERVED	CLEAR_INTERRUPT	SEND_CHARGE_STATUS	SEND_EPT	RESERVED	TOGGLE_LDO	SEND_RX_DATA
Reset	0b0	0b0	0b0	0b0	0b0	0b0	0b0	0b0
Access Type	Write, Read	Write, Read	Write, Read	Write, Read	Write, Read	Write, Read	Write, Read	Write, Read

BITFIELD	BITS	DESCRIPTION
RESERVED	7	RSVD
RESERVED	6	RSVD
CLEAR_INTERRUPT	5	Global Interrupt Clear Bit. Clears all interrupt bits. After the set, it resets automatically.
SEND_CHARGE_STATUS	4	1: Send charge status packet. After the set, it resets automatically.
SEND_EPT	3	1: Send end power transfer packet. After the set, it resets automatically.
RESERVED	2	RSVD
TOGGLE_LDO	1	1: Toggle LDO output once (on to off, off to on). After the set, it resets automatically.
SEND_RX_DATA	0	1: Send WPC proprietary packet that includes PPP_Header (0x21), data command (0x22), and data values (0x23 to 0x26). After the set, it resets automatically.



**PPP\_HEADER (0x21)**

BIT	7	6	5	4	3	2	1	0
Field	PPP_HEADER[7:0]							
Reset	0b0000_0000							
Access Type	Write, Read							

BITFIELD	BITS	DESCRIPTION
PPP_HEADER	7:0	WPC Proprietary Packet Header

**RX\_DATA\_VALUE0 (0x22)**

BIT	7	6	5	4	3	2	1	0
Field	RX_DATA_VALUE0[7:0]							
Reset	0b0000_0000							
Access Type	Write, Read							

BITFIELD	BITS	DESCRIPTION
RX_DATA_VALUE0	7:0	1st Byte of Proprietary Packet

**RX\_DATA\_VALUE1 (0x23)**

BIT	7	6	5	4	3	2	1	0
Field	RX_DATA_VALUE1[7:0]							
Reset	0b0000_0000							
Access Type	Write, Read							

BITFIELD	BITS	DESCRIPTION
RX_DATA_VALUE1	7:0	2nd Byte of Proprietary Packet

**RX\_DATA\_VALUE2 (0x24)**

BIT	7	6	5	4	3	2	1	0
Field	RX_DATA_VALUE2[7:0]							
Reset	0b0000_0000							
Access Type	Write, Read							

BITFIELD	BITS	DESCRIPTION
RX_DATA_VALUE2	7:0	3rd Byte of Proprietary Packet

**RX\_DATA\_VALUE3 (0x25)**

BIT	7	6	5	4	3	2	1	0
Field	RX_DATA_VALUE3[7:0]							
Reset	0b0000_0000							
Access Type	Write, Read							

BITFIELD	BITS	DESCRIPTION
RX_DATA_VALUE3	7:0	4th Byte of Proprietary Packet

**RX\_DATA\_VALUE4 (0x26)**

BIT	7	6	5	4	3	2	1	0
Field	RX_DATA_VALUE4[7:0]							
Reset	0b0000_0000							
Access Type	Write, Read							

BITFIELD	BITS	DESCRIPTION
RX_DATA_VALUE4	7:0	5th Byte of Proprietary Packet

**FSK\_DATA\_VALUE0 (0x27)**

BIT	7	6	5	4	3	2	1	0
Field	FSK_DATA_VALUE0[7:0]							
Reset	0b0000_0000							
Access Type	Read Only							

BITFIELD	BITS	DESCRIPTION
FSK_DATA_VALUE0	7:0	1st Byte of FSK_DATA

**FSK\_DATA\_VALUE1 (0x28)**

BIT	7	6	5	4	3	2	1	0
Field	FSK_DATA_VALUE1[7:0]							
Reset	0b0000_0000							
Access Type	Read Only							

BITFIELD	BITS	DESCRIPTION
FSK_DATA_VALUE1	7:0	2nd Byte of FSK_DATA

**FSK\_DATA\_VALUE2 (0x29)**

BIT	7	6	5	4	3	2	1	0
Field	FSK_DATA_VALUE2[7:0]							
Reset	0b0000_0000							
Access Type	Read Only							

BITFIELD	BITS	DESCRIPTION
FSK_DATA_VALUE2	7:0	3rd Byte of FSK_DATA

**TX\_FOP\_SET\_L (0x2A)**

BIT	7	6	5	4	3	2	1	0
Field	TX_FOP_SET[7:0]							
Reset	0b1111_1111							
Access Type	Write, Read							

BITFIELD	BITS	DESCRIPTION
TX_FOP_SET	7:0	Tx operating frequency = $64 \times 10^6 / (2 \times (TX\_FOP\_SET[8:0] + 1))$

**TX\_FOP\_SET\_H (0x2B)**

<b>BIT</b>	<b>7</b>	<b>6</b>	<b>5</b>	<b>4</b>	<b>3</b>	<b>2</b>	<b>1</b>	<b>0</b>
<b>Field</b>	RESERVED[6:0]							TX_FOP_SET[8]
<b>Reset</b>	0b0000_000							0b0
<b>Access Type</b>	Write, Read							Write, Read

<b>BITFIELD</b>	<b>BITS</b>	<b>DESCRIPTION</b>
RESERVED	7:1	RSVD
TX_FOP_SET	0	

**TX\_FOP\_TON\_SET\_L (0x2C)**

<b>BIT</b>	<b>7</b>	<b>6</b>	<b>5</b>	<b>4</b>	<b>3</b>	<b>2</b>	<b>1</b>	<b>0</b>
<b>Field</b>	TX_FOP_TON_SET[7:0]							
<b>Reset</b>	0b0000_0000							
<b>Access Type</b>	Write, Read							

<b>BITFIELD</b>	<b>BITS</b>	<b>DESCRIPTION</b>
TX_FOP_TON_SET	7:0	$Tx \text{ duty cycle} = (TX\_FOP\_SET[8:0] - TX\_FOP\_TON\_SET[8:0]) / (2 \times (TX\_FOP\_SET[8:0] + 1))$

**TX\_FOP\_TON\_SET\_H (0x2D)**

<b>BIT</b>	<b>7</b>	<b>6</b>	<b>5</b>	<b>4</b>	<b>3</b>	<b>2</b>	<b>1</b>	<b>0</b>
<b>Field</b>	RESERVED[6:0]							TX_FOP_TON_SET[8]
<b>Reset</b>	0b0000_000							0b0
<b>Access Type</b>	Write, Read							Write, Read

<b>BITFIELD</b>	<b>BITS</b>	<b>DESCRIPTION</b>
RESERVED	7:1	RSVD
TX_FOP_TON_SET	0	

**TX\_WPC\_HEADER (0x34)**

<b>BIT</b>	<b>7</b>	<b>6</b>	<b>5</b>	<b>4</b>	<b>3</b>	<b>2</b>	<b>1</b>	<b>0</b>
<b>Field</b>	TX_WPC_HEADER[7:0]							
<b>Reset</b>	0b0000_0000							
<b>Access Type</b>	Read Only							

<b>BITFIELD</b>	<b>BITS</b>	<b>DESCRIPTION</b>
TX_WPC_HEADER	7:0	Header of packet that is received by ASK demodulation in Tx (PeerPower) mode.

**TX\_WPC\_DATA0 (0x35)**

BIT	7	6	5	4	3	2	1	0
Field	TX_WPC_DATA0[7:0]							
Reset	0b0000_0000							
Access Type	Read Only							

BITFIELD	BITS	DESCRIPTION
TX_WPC_DATA0	7:0	DATA0 of packet that is received by ASK demodulation in Tx (PeerPower) mode.

**TX\_WPC\_DATA1 (0x36)**

BIT	7	6	5	4	3	2	1	0
Field	TX_WPC_DATA1[7:0]							
Reset	0b0000_0000							
Access Type	Read Only							

BITFIELD	BITS	DESCRIPTION
TX_WPC_DATA1	7:0	DATA1 of packet that is received by ASK demodulation in Tx (PeerPower) mode.

**TX\_WPC\_DATA2 (0x37)**

BIT	7	6	5	4	3	2	1	0
Field	TX_WPC_DATA2[7:0]							
Reset	0b0000_0000							
Access Type	Read Only							

BITFIELD	BITS	DESCRIPTION
TX_WPC_DATA2	7:0	DATA2 of packet that is received by ASK demodulation in Tx (PeerPower) mode.

**TX\_WPC\_DATA3 (0x38)**

BIT	7	6	5	4	3	2	1	0
Field	TX_WPC_DATA3[7:0]							
Reset	0b0000_0000							
Access Type	Read Only							

BITFIELD	BITS	DESCRIPTION
TX_WPC_DATA3	7:0	DATA3 of packet that is received by ASK demodulation in Tx (PeerPower) mode.

**TX\_WPC\_DATA4 (0x39)**

<b>BIT</b>	<b>7</b>	<b>6</b>	<b>5</b>	<b>4</b>	<b>3</b>	<b>2</b>	<b>1</b>	<b>0</b>
<b>Field</b>	TX_WPC_DATA4[7:0]							
<b>Reset</b>	0b0000_0000							
<b>Access Type</b>	Read Only							

<b>BITFIELD</b>	<b>BITS</b>	<b>DESCRIPTION</b>
TX_WPC_DATA4	7:0	DATA4 of packet that is received by ASK demodulation in Tx (PeerPower) mode.

**TX\_WPC\_DATA5 (0x3A)**

<b>BIT</b>	<b>7</b>	<b>6</b>	<b>5</b>	<b>4</b>	<b>3</b>	<b>2</b>	<b>1</b>	<b>0</b>
<b>Field</b>	TX_WPC_DATA5[7:0]							
<b>Reset</b>	0b0000_0000							
<b>Access Type</b>	Read Only							

<b>BITFIELD</b>	<b>BITS</b>	<b>DESCRIPTION</b>
TX_WPC_DATA5	7:0	DATA5 of packet that is received by ASK demodulation in Tx (PeerPower) mode.

**TX\_WPC\_DATA6 (0x3B)**

<b>BIT</b>	<b>7</b>	<b>6</b>	<b>5</b>	<b>4</b>	<b>3</b>	<b>2</b>	<b>1</b>	<b>0</b>
<b>Field</b>	TX_WPC_DATA6[7:0]							
<b>Reset</b>	0b0000_0000							
<b>Access Type</b>	Read Only							

<b>BITFIELD</b>	<b>BITS</b>	<b>DESCRIPTION</b>
TX_WPC_DATA6	7:0	DATA6 of packet that is received by ASK demodulation in Tx (PeerPower) mode.

**TX\_WPC\_DATA7 (0x3C)**

<b>BIT</b>	<b>7</b>	<b>6</b>	<b>5</b>	<b>4</b>	<b>3</b>	<b>2</b>	<b>1</b>	<b>0</b>
<b>Field</b>	TX_WPC_DATA7[7:0]							
<b>Reset</b>	0b0000_0000							
<b>Access Type</b>	Read Only							

<b>BITFIELD</b>	<b>BITS</b>	<b>DESCRIPTION</b>
TX_WPC_DATA7	7:0	DATA7 of packet that is received by ASK demodulation in Tx (PeerPower) mode.

**TX\_WPC\_CHECKSUM (0x3D)**

<b>BIT</b>	<b>7</b>	<b>6</b>	<b>5</b>	<b>4</b>	<b>3</b>	<b>2</b>	<b>1</b>	<b>0</b>
<b>Field</b>	TX_WPC_CHECKSUM[7:0]							
<b>Reset</b>	0b0000_0000							
<b>Access Type</b>	Read Only							

<b>BITFIELD</b>	<b>BITS</b>	<b>DESCRIPTION</b>
TX_WPC_CHECKSUM	7:0	CHECKSUM of data received by ASK demodulation in Tx (PeerPower) mode.

**FOD\_X0 (0x3E)**

<b>BIT</b>	<b>7</b>	<b>6</b>	<b>5</b>	<b>4</b>	<b>3</b>	<b>2</b>	<b>1</b>	<b>0</b>
<b>Field</b>	FOD_X0[7:0]							
<b>Reset</b>	0b0000_0000							
<b>Access Type</b>	Write, Read							

<b>BITFIELD</b>	<b>BITS</b>	<b>DESCRIPTION</b>
FOD_X0	7:0	FOD Adjust Parameter

**FOD\_Y0 (0x3F)**

<b>BIT</b>	<b>7</b>	<b>6</b>	<b>5</b>	<b>4</b>	<b>3</b>	<b>2</b>	<b>1</b>	<b>0</b>
<b>Field</b>	FOD_Y0[7:0]							
<b>Reset</b>	0b0001_0001							
<b>Access Type</b>	Write, Read							

<b>BITFIELD</b>	<b>BITS</b>	<b>DESCRIPTION</b>
FOD_Y0	7:0	FOD Adjust Parameter

**FOD\_X1 (0x40)**

<b>BIT</b>	<b>7</b>	<b>6</b>	<b>5</b>	<b>4</b>	<b>3</b>	<b>2</b>	<b>1</b>	<b>0</b>
<b>Field</b>	FOD_X1[7:0]							
<b>Reset</b>	0b0000_1000							
<b>Access Type</b>	Write, Read							

<b>BITFIELD</b>	<b>BITS</b>	<b>DESCRIPTION</b>
FOD_X1	7:0	FOD Adjust Parameter

**FOD\_Y1 (0x41)**

<b>BIT</b>	<b>7</b>	<b>6</b>	<b>5</b>	<b>4</b>	<b>3</b>	<b>2</b>	<b>1</b>	<b>0</b>
<b>Field</b>	FOD_Y1[7:0]							
<b>Reset</b>	0b0001_1010							
<b>Access Type</b>	Write, Read							

<b>BITFIELD</b>	<b>BITS</b>	<b>DESCRIPTION</b>
FOD_Y1	7:0	FOD Adjust Parameter

**FOD\_X2 (0x42)**

<b>BIT</b>	<b>7</b>	<b>6</b>	<b>5</b>	<b>4</b>	<b>3</b>	<b>2</b>	<b>1</b>	<b>0</b>
<b>Field</b>	FOD_X2[7:0]							
<b>Reset</b>	0b0000_1110							
<b>Access Type</b>	Write, Read							

<b>BITFIELD</b>	<b>BITS</b>	<b>DESCRIPTION</b>
FOD_X2	7:0	FOD Adjust Parameter

**FOD\_Y2 (0x43)**

<b>BIT</b>	<b>7</b>	<b>6</b>	<b>5</b>	<b>4</b>	<b>3</b>	<b>2</b>	<b>1</b>	<b>0</b>
<b>Field</b>	FOD_Y2[7:0]							
<b>Reset</b>	0b0010_0000							
<b>Access Type</b>	Write, Read							

<b>BITFIELD</b>	<b>BITS</b>	<b>DESCRIPTION</b>
FOD_Y2	7:0	FOD Adjust Parameter

**FOD\_X3 (0x44)**

<b>BIT</b>	<b>7</b>	<b>6</b>	<b>5</b>	<b>4</b>	<b>3</b>	<b>2</b>	<b>1</b>	<b>0</b>
<b>Field</b>	FOD_X3[7:0]							
<b>Reset</b>	0b0001_0000							
<b>Access Type</b>	Write, Read							

<b>BITFIELD</b>	<b>BITS</b>	<b>DESCRIPTION</b>
FOD_X3	7:0	FOD Adjust Parameter

**FOD\_Y3 (0x45)**

<b>BIT</b>	<b>7</b>	<b>6</b>	<b>5</b>	<b>4</b>	<b>3</b>	<b>2</b>	<b>1</b>	<b>0</b>
<b>Field</b>	FOD_Y3[7:0]							
<b>Reset</b>	0b0001_1111							
<b>Access Type</b>	Write, Read							

<b>BITFIELD</b>	<b>BITS</b>	<b>DESCRIPTION</b>
FOD_Y3	7:0	FOD Adjust Parameter

**FOD\_X4 (0x46)**

<b>BIT</b>	<b>7</b>	<b>6</b>	<b>5</b>	<b>4</b>	<b>3</b>	<b>2</b>	<b>1</b>	<b>0</b>
<b>Field</b>	FOD_X4[7:0]							
<b>Reset</b>	0b0001_0111							
<b>Access Type</b>	Write, Read							

<b>BITFIELD</b>	<b>BITS</b>	<b>DESCRIPTION</b>
FOD_X4	7:0	FOD Adjust Parameter

**FOD\_Y4 (0x47)**

BIT	7	6	5	4	3	2	1	0
Field	FOD_Y4[7:0]							
Reset	0b0010_0110							
Access Type	Write, Read							

BITFIELD	BITS	DESCRIPTION
FOD_Y4	7:0	FOD Adjust Parameter

**FOD\_X5 (0x48)**

BIT	7	6	5	4	3	2	1	0
Field	FOD_X5[7:0]							
Reset	0b0001_1101							
Access Type	Write, Read							

BITFIELD	BITS	DESCRIPTION
FOD_X5	7:0	FOD Adjust Parameter

**FOD\_Y5 (0x49)**

BIT	7	6	5	4	3	2	1	0
Field	FOD_Y5[7:0]							
Reset	0b0010_1100							
Access Type	Write, Read							

BITFIELD	BITS	DESCRIPTION
FOD_Y5	7:0	FOD Adjust Parameter

**FOD\_X6 (0x4A)**

BIT	7	6	5	4	3	2	1	0
Field	FOD_X6[7:0]							
Reset	0b0010_1010							
Access Type	Write, Read							

BITFIELD	BITS	DESCRIPTION
FOD_X6	7:0	FOD Adjust Parameter

**FOD\_Y6 (0x4B)**

BIT	7	6	5	4	3	2	1	0
Field	FOD_Y6[7:0]							
Reset	0b0011_1000							
Access Type	Write, Read							

BITFIELD	BITS	DESCRIPTION
FOD_Y6	7:0	FOD Adjust Parameter



**FOD\_X7 (0x4C)**

BIT	7	6	5	4	3	2	1	0
Field	FOD_X7[7:0]							
Reset	0b0011_0001							
Access Type	Write, Read							

BITFIELD	BITS	DESCRIPTION
FOD_X7	7:0	FOD Adjust Parameter

**FOD\_Y7 (0x4D)**

BIT	7	6	5	4	3	2	1	0
Field	FOD_Y7[7:0]							
Reset	0b0011_1110							
Access Type	Write, Read							

BITFIELD	BITS	DESCRIPTION
FOD_Y7	7:0	FOD Adjust Parameter

**FOD\_X8 (0x4E)**

BIT	7	6	5	4	3	2	1	0
Field	FOD_X8[7:0]							
Reset	0b0011_1100							
Access Type	Write, Read							

BITFIELD	BITS	DESCRIPTION
FOD_X8	7:0	FOD Adjust Parameter

**FOD\_Y8 (0x4F)**

BIT	7	6	5	4	3	2	1	0
Field	FOD_Y8[7:0]							
Reset	0b0100_0101							
Access Type	Write, Read							

BITFIELD	BITS	DESCRIPTION
FOD_Y8	7:0	FOD Adjust Parameter

**FOD\_X9 (0x50)**

BIT	7	6	5	4	3	2	1	0
Field	FOD_X9[7:0]							
Reset	0b0100_1100							
Access Type	Write, Read							

BITFIELD	BITS	DESCRIPTION
FOD_X9	7:0	FOD Adjust Parameter

**FOD\_Y9 (0x51)**

BIT	7	6	5	4	3	2	1	0
Field	FOD_Y9[7:0]							
Reset	0b0101_0011							
Access Type	Write, Read							

BITFIELD	BITS	DESCRIPTION
FOD_Y9	7:0	FOD Adjust Parameter

**FOD\_X10 (0x52)**

BIT	7	6	5	4	3	2	1	0
Field	FOD_X10[7:0]							
Reset	0b0110_0011							
Access Type	Write, Read							

BITFIELD	BITS	DESCRIPTION
FOD_X10	7:0	FOD Adjust Parameter

**FOD\_Y10 (0x53)**

BIT	7	6	5	4	3	2	1	0
Field	FOD_Y10[7:0]							
Reset	0b0110_1000							
Access Type	Write, Read							

BITFIELD	BITS	DESCRIPTION
FOD_Y10	7:0	FOD Adjust Parameter

**FOD\_X11 (0x54)**

BIT	7	6	5	4	3	2	1	0
Field	FOD_X11[7:0]							
Reset	0b0110_1001							
Access Type	Write, Read							

BITFIELD	BITS	DESCRIPTION
FOD_X11	7:0	FOD Adjust Parameter

**FOD\_Y11 (0x55)**

BIT	7	6	5	4	3	2	1	0
Field	FOD_Y11[7:0]							
Reset	0b0110_1110							
Access Type	Write, Read							

BITFIELD	BITS	DESCRIPTION
FOD_Y11	7:0	FOD Adjust Parameter

**FOD\_X12 (0x56)**

<b>BIT</b>	<b>7</b>	<b>6</b>	<b>5</b>	<b>4</b>	<b>3</b>	<b>2</b>	<b>1</b>	<b>0</b>
<b>Field</b>	FOD_X12[7:0]							
<b>Reset</b>	0b0111_0111							
<b>Access Type</b>	Write, Read							

<b>BITFIELD</b>	<b>BITS</b>	<b>DESCRIPTION</b>
FOD_X12	7:0	FOD Adjust Parameter

**FOD\_Y12 (0x57)**

<b>BIT</b>	<b>7</b>	<b>6</b>	<b>5</b>	<b>4</b>	<b>3</b>	<b>2</b>	<b>1</b>	<b>0</b>
<b>Field</b>	FOD_Y12[7:0]							
<b>Reset</b>	0b0111_1100							
<b>Access Type</b>	Write, Read							

<b>BITFIELD</b>	<b>BITS</b>	<b>DESCRIPTION</b>
FOD_Y12	7:0	FOD Adjust Parameter

**FOD\_X13 (0x58)**

<b>BIT</b>	<b>7</b>	<b>6</b>	<b>5</b>	<b>4</b>	<b>3</b>	<b>2</b>	<b>1</b>	<b>0</b>
<b>Field</b>	FOD_X13[7:0]							
<b>Reset</b>	0b1000_0110							
<b>Access Type</b>	Write, Read							

<b>BITFIELD</b>	<b>BITS</b>	<b>DESCRIPTION</b>
FOD_X13	7:0	FOD Adjust Parameter

**FOD\_Y13 (0x59)**

<b>BIT</b>	<b>7</b>	<b>6</b>	<b>5</b>	<b>4</b>	<b>3</b>	<b>2</b>	<b>1</b>	<b>0</b>
<b>Field</b>	FOD_Y13[7:0]							
<b>Reset</b>	0b1000_1011							
<b>Access Type</b>	Write, Read							

<b>BITFIELD</b>	<b>BITS</b>	<b>DESCRIPTION</b>
FOD_Y13	7:0	FOD Adjust Parameter

**FOD\_X14 (0x5A)**

<b>BIT</b>	<b>7</b>	<b>6</b>	<b>5</b>	<b>4</b>	<b>3</b>	<b>2</b>	<b>1</b>	<b>0</b>
<b>Field</b>	FOD_X14[7:0]							
<b>Reset</b>	0b1001_0101							
<b>Access Type</b>	Write, Read							

<b>BITFIELD</b>	<b>BITS</b>	<b>DESCRIPTION</b>
FOD_X14	7:0	FOD Adjust Parameter

**FOD\_Y14 (0x5B)**

BIT	7	6	5	4	3	2	1	0
Field	FOD_Y14[7:0]							
Reset	0b1001_1011							
Access Type	Write, Read							

BITFIELD	BITS	DESCRIPTION
FOD_Y14	7:0	FOD Adjust Parameter

**FOD\_X15 (0x5C)**

BIT	7	6	5	4	3	2	1	0
Field	FOD_X15[7:0]							
Reset	0b1010_0100							
Access Type	Write, Read							

BITFIELD	BITS	DESCRIPTION
FOD_X15	7:0	FOD Adjust Parameter

**FOD\_Y15 (0x5D)**

BIT	7	6	5	4	3	2	1	0
Field	FOD_Y15[7:0]							
Reset	0b1010_1011							
Access Type	Write, Read							

BITFIELD	BITS	DESCRIPTION
FOD_Y15	7:0	FOD Adjust Parameter

**OV\_CLAMP\_VOLTAGE (0x62)**

BIT	7	6	5	4	3	2	1	0
Field	RESERVED[2:0]			POV_CLAMP_VOLTAGE	RESERVED[1:0]		OV_CLAMP_VOLTAGE[1:0]	
Reset	0b000			0b0	0b00		0b00	
Access Type	Write, Read			Write, Read	Write, Read		Write, Read	

BITFIELD	BITS	DESCRIPTION
RESERVED	7:5	RSVD
POV_CLAMP_VOLTAGE	4	1: OV_CLAMP_VOLTAGE - 1.5V 0: OV_CLAMP_VOLTAGE - 1.0V
RESERVED	3:2	RSVD
OV_CLAMP_VOLTAGE	1:0	00: 17V 01: 16V 10: 15V 11: 14V

**TX\_LAST\_CEP (0x63)**

<b>BIT</b>	<b>7</b>	<b>6</b>	<b>5</b>	<b>4</b>	<b>3</b>	<b>2</b>	<b>1</b>	<b>0</b>
<b>Field</b>	TX_LAST_CEP[7:0]							
<b>Reset</b>	0b0000_0000							
<b>Access Type</b>	Read Only							

<b>BITFIELD</b>	<b>BITS</b>	<b>DESCRIPTION</b>
TX_LAST_CEP	7:0	The latest received CEP from the WPC receiver in Tx (PeerPower) mode.

**TX\_LAST\_RPP (0x64)**

<b>BIT</b>	<b>7</b>	<b>6</b>	<b>5</b>	<b>4</b>	<b>3</b>	<b>2</b>	<b>1</b>	<b>0</b>
<b>Field</b>	TX_LAST_RPP[7:0]							
<b>Reset</b>	0b0000_0000							
<b>Access Type</b>	Read Only							

<b>BITFIELD</b>	<b>BITS</b>	<b>DESCRIPTION</b>
TX_LAST_RPP	7:0	The latest received RPP from the WPC receiver in Tx (PeerPower) mode.

**TX\_LAST\_PCHP (0x65)**

<b>BIT</b>	<b>7</b>	<b>6</b>	<b>5</b>	<b>4</b>	<b>3</b>	<b>2</b>	<b>1</b>	<b>0</b>
<b>Field</b>	TX_LAST_PCHP[7:0]							
<b>Reset</b>	0b0000_0101							
<b>Access Type</b>	Read Only							

<b>BITFIELD</b>	<b>BITS</b>	<b>DESCRIPTION</b>
TX_LAST_PCHP	7:0	The latest received PCHP (power control hold off packet) from the WPC receiver in Tx (PeerPower) mode.

**LDO\_WPDET\_CNFG (0x70)**

BIT	7	6	5	4	3	2	1	0
<b>Field</b>	WPDET_H_DEBOUNCE[1:0]		WPDET_L_DEBOUNCE[1:0]		WPDET_H_THRESHOLD[1:0]		WPDET_L_THRESHOLD[1:0]	
<b>Reset</b>	0b01		0b01		0b01		0b00	
<b>Access Type</b>	Write, Read		Write, Read		Write, Read		Write, Read	

BITFIELD	BITS	DESCRIPTION
WPDET_H_DEBOUNCE	7:6	00: 1µs 01: 1ms 10: 2ms 11: 3ms
WPDET_L_DEBOUNCE	5:4	00: 1µs 01: 1ms 10: 2ms 11: 3ms
WPDET_H_THRESHOLD	3:2	00: 4.4V 01: 4.5V 10: 4.6V 11: 4.7V
WPDET_L_THRESHOLD	1:0	00: 3.6V 01: 3.8V 10: 4.0V 11: 4.2V

**VRECT\_TARGET\_X0 (0xBA)**

BIT	7	6	5	4	3	2	1	0
<b>Field</b>	VRECT_TARGET_X0[7:0]							
<b>Reset</b>	0b0000_0000							
<b>Access Type</b>	Write, Read							

BITFIELD	BITS	DESCRIPTION
VRECT_TARGET_X0	7:0	VRECT Target Profile, X-coordinate 0

**VRECT\_TARGET\_Y0 (0xBB)**

BIT	7	6	5	4	3	2	1	0
<b>Field</b>	VRECT_TARGET_Y0[7:0]							
<b>Reset</b>	0b0111_0111							
<b>Access Type</b>	Write, Read							

BITFIELD	BITS	DESCRIPTION
VRECT_TARGET_Y0	7:0	VRECT Target Profile, WPC Y-coordinate 0

**VRECT\_TARGET\_PMA\_Y0 (0xBC)**

<b>BIT</b>	<b>7</b>	<b>6</b>	<b>5</b>	<b>4</b>	<b>3</b>	<b>2</b>	<b>1</b>	<b>0</b>
<b>Field</b>	VRECT_TARGET_PMA_Y0[7:0]							
<b>Reset</b>	0b0111_1011							
<b>Access Type</b>	Write, Read							

<b>BITFIELD</b>	<b>BITS</b>	<b>DESCRIPTION</b>
VRECT_TARGET_PMA_Y0	7:0	VRECT Target Profile, PMA Y-coordinate 0

**VRECT\_TARGET\_X1 (0xBD)**

<b>BIT</b>	<b>7</b>	<b>6</b>	<b>5</b>	<b>4</b>	<b>3</b>	<b>2</b>	<b>1</b>	<b>0</b>
<b>Field</b>	VRECT_TARGET_X1[7:0]							
<b>Reset</b>	0b0000_0111							
<b>Access Type</b>	Write, Read							

<b>BITFIELD</b>	<b>BITS</b>	<b>DESCRIPTION</b>
VRECT_TARGET_X1	7:0	VRECT Target Profile, X-coordinate 1

**VRECT\_TARGET\_Y1 (0xBE)**

<b>BIT</b>	<b>7</b>	<b>6</b>	<b>5</b>	<b>4</b>	<b>3</b>	<b>2</b>	<b>1</b>	<b>0</b>
<b>Field</b>	VRECT_TARGET_Y1[7:0]							
<b>Reset</b>	0b0111_0010							
<b>Access Type</b>	Write, Read							

<b>BITFIELD</b>	<b>BITS</b>	<b>DESCRIPTION</b>
VRECT_TARGET_Y1	7:0	VRECT Target Profile, WPC Y-coordinate 1

**VRECT\_TARGET\_PMA\_Y1 (0xBF)**

<b>BIT</b>	<b>7</b>	<b>6</b>	<b>5</b>	<b>4</b>	<b>3</b>	<b>2</b>	<b>1</b>	<b>0</b>
<b>Field</b>	VRECT_TARGET_PMA_Y1[7:0]							
<b>Reset</b>	0b0111_0111							
<b>Access Type</b>	Write, Read							

<b>BITFIELD</b>	<b>BITS</b>	<b>DESCRIPTION</b>
VRECT_TARGET_PMA_Y1	7:0	VRECT Target Profile, PMA Y-coordinate 1

**VRECT\_TARGET\_X2 (0xC0)**

BIT	7	6	5	4	3	2	1	0
Field	VRECT_TARGET_X2[7:0]							
Reset	0b0001_0001							
Access Type	Write, Read							

BITFIELD	BITS	DESCRIPTION
VRECT_TARGET_X2	7:0	VRECT Target Profile, X-coordinate 2

**VRECT\_TARGET\_Y2 (0xC1)**

BIT	7	6	5	4	3	2	1	0
Field	VRECT_TARGET_Y2[7:0]							
Reset	0b0110_1100							
Access Type	Write, Read							

BITFIELD	BITS	DESCRIPTION
VRECT_TARGET_Y2	7:0	VRECT Target Profile, WPC Y-coordinate 2

**VRECT\_TARGET\_PMA\_Y2 (0xC2)**

BIT	7	6	5	4	3	2	1	0
Field	VRECT_TARGET_PMA_Y2[7:0]							
Reset	0b0111_0001							
Access Type	Write, Read							

BITFIELD	BITS	DESCRIPTION
VRECT_TARGET_PMA_Y2	7:0	VRECT Target Profile, PMA Y-coordinate 2

**VRECT\_TARGET\_X3 (0xC3)**

BIT	7	6	5	4	3	2	1	0
Field	VRECT_TARGET_X3[7:0]							
Reset	0b0001_1110							
Access Type	Write, Read							

BITFIELD	BITS	DESCRIPTION
VRECT_TARGET_X3	7:0	VRECT Target Profile, X-coordinate 3

**VRECT\_TARGET\_Y3 (0xC4)**

BIT	7	6	5	4	3	2	1	0
Field	VRECT_TARGET_Y3[7:0]							
Reset	0b0110_0110							
Access Type	Write, Read							

BITFIELD	BITS	DESCRIPTION
VRECT_TARGET_Y3	7:0	VRECT Target Profile, WPC Y-coordinate 3



**VRECT\_TARGET\_PMA\_Y3 (0xC5)**

BIT	7	6	5	4	3	2	1	0
Field	VRECT_TARGET_PMA_Y3[7:0]							
Reset	0b0110_1010							
Access Type	Write, Read							

BITFIELD	BITS	DESCRIPTION
VRECT_TARGET_PMA_Y3	7:0	VRECT Target Profile, PMA Y-coordinate 3

**VRECT\_TARGET\_X4 (0xC6)**

BIT	7	6	5	4	3	2	1	0
Field	VRECT_TARGET_X4[7:0]							
Reset	0b0010_1110							
Access Type	Write, Read							

BITFIELD	BITS	DESCRIPTION
VRECT_TARGET_X4	7:0	VRECT Target Profile, X-coordinate 4

**VRECT\_TARGET\_Y4 (0xC7)**

BIT	7	6	5	4	3	2	1	0
Field	VRECT_TARGET_Y4[7:0]							
Reset	0b0110_0000							
Access Type	Write, Read							

BITFIELD	BITS	DESCRIPTION
VRECT_TARGET_Y4	7:0	VRECT Target Profile, WPC Y-coordinate 4

**VRECT\_TARGET\_PMA\_Y4 (0xC8)**

BIT	7	6	5	4	3	2	1	0
Field	VRECT_TARGET_PMA_Y4[7:0]							
Reset	0b0110_0010							
Access Type	Write, Read							

BITFIELD	BITS	DESCRIPTION
VRECT_TARGET_PMA_Y4	7:0	VRECT Target Profile, PMA Y-coordinate 4

**VRECT\_TARGET\_X5 (0xC9)**

BIT	7	6	5	4	3	2	1	0
Field	VRECT_TARGET_X5[7:0]							
Reset	0b0011_1111							
Access Type	Write, Read							

BITFIELD	BITS	DESCRIPTION
VRECT_TARGET_X5	7:0	VRECT Target Profile, X-coordinate 5

**VRECT\_TARGET\_Y5 (0xCA)**

BIT	7	6	5	4	3	2	1	0
Field	VRECT_TARGET_Y5[7:0]							
Reset	0b0101_1010							
Access Type	Write, Read							

BITFIELD	BITS	DESCRIPTION
VRECT_TARGET_Y5	7:0	VRECT Target Profile, WPC Y-coordinate 5

**VRECT\_TARGET\_PMA\_Y5 (0xCB)**

BIT	7	6	5	4	3	2	1	0
Field	VRECT_TARGET_PMA_Y5[7:0]							
Reset	0b0101_1011							
Access Type	Write, Read							

BITFIELD	BITS	DESCRIPTION
VRECT_TARGET_PMA_Y5	7:0	VRECT Target Profile, PMA Y-coordinate 5

**VRECT\_TARGET\_X6 (0xCC)**

BIT	7	6	5	4	3	2	1	0
Field	VRECT_TARGET_X6[7:0]							
Reset	0b0101_0001							
Access Type	Write, Read							

BITFIELD	BITS	DESCRIPTION
VRECT_TARGET_X6	7:0	VRECT Target Profile, X-coordinate 6

**VRECT\_TARGET\_Y6 (0xCD)**

BIT	7	6	5	4	3	2	1	0
Field	VRECT_TARGET_Y6[7:0]							
Reset	0b0101_1000							
Access Type	Write, Read							

BITFIELD	BITS	DESCRIPTION
VRECT_TARGET_Y6	7:0	VRECT Target Profile, WPC Y-coordinate 6

**VRECT\_TARGET\_PMA\_Y6 (0xCE)**

BIT	7	6	5	4	3	2	1	0
Field	VRECT_TARGET_PMA_Y6[7:0]							
Reset	0b0101_1001							
Access Type	Write, Read							

BITFIELD	BITS	DESCRIPTION
VRECT_TARGET_PMA_Y6	7:0	VRECT Target Profile, PMA Y-coordinate 6

**VRECT\_TARGET\_X7 (0xCF)**

BIT	7	6	5	4	3	2	1	0
Field	VRECT_TARGET_X7[7:0]							
Reset	0b0110_0110							
Access Type	Write, Read							

BITFIELD	BITS	DESCRIPTION
VRECT_TARGET_X7	7:0	VRECT Target Profile, X-coordinate 7

**VRECT\_TARGET\_Y7 (0xD0)**

BIT	7	6	5	4	3	2	1	0
Field	VRECT_TARGET_Y7[7:0]							
Reset	0b0101_0111							
Access Type	Write, Read							

BITFIELD	BITS	DESCRIPTION
VRECT_TARGET_Y7	7:0	VRECT Target Profile, WPC Y-coordinate 7

**VRECT\_TARGET\_PMA\_Y7 (0xD1)**

BIT	7	6	5	4	3	2	1	0
Field	VRECT_TARGET_PMA_Y7[7:0]							
Reset	0b0101_0111							
Access Type	Write, Read							

BITFIELD	BITS	DESCRIPTION
VRECT_TARGET_PMA_Y7	7:0	VRECT Target Profile, PMA Y-coordinate 7

**PMA\_ADV\_DATA (0xDB)**

BIT	7	6	5	4	3	2	1	0
Field	PMA_ADV_DATA[7:0]							
Reset	0b0000_0000							
Access Type	Read Only							

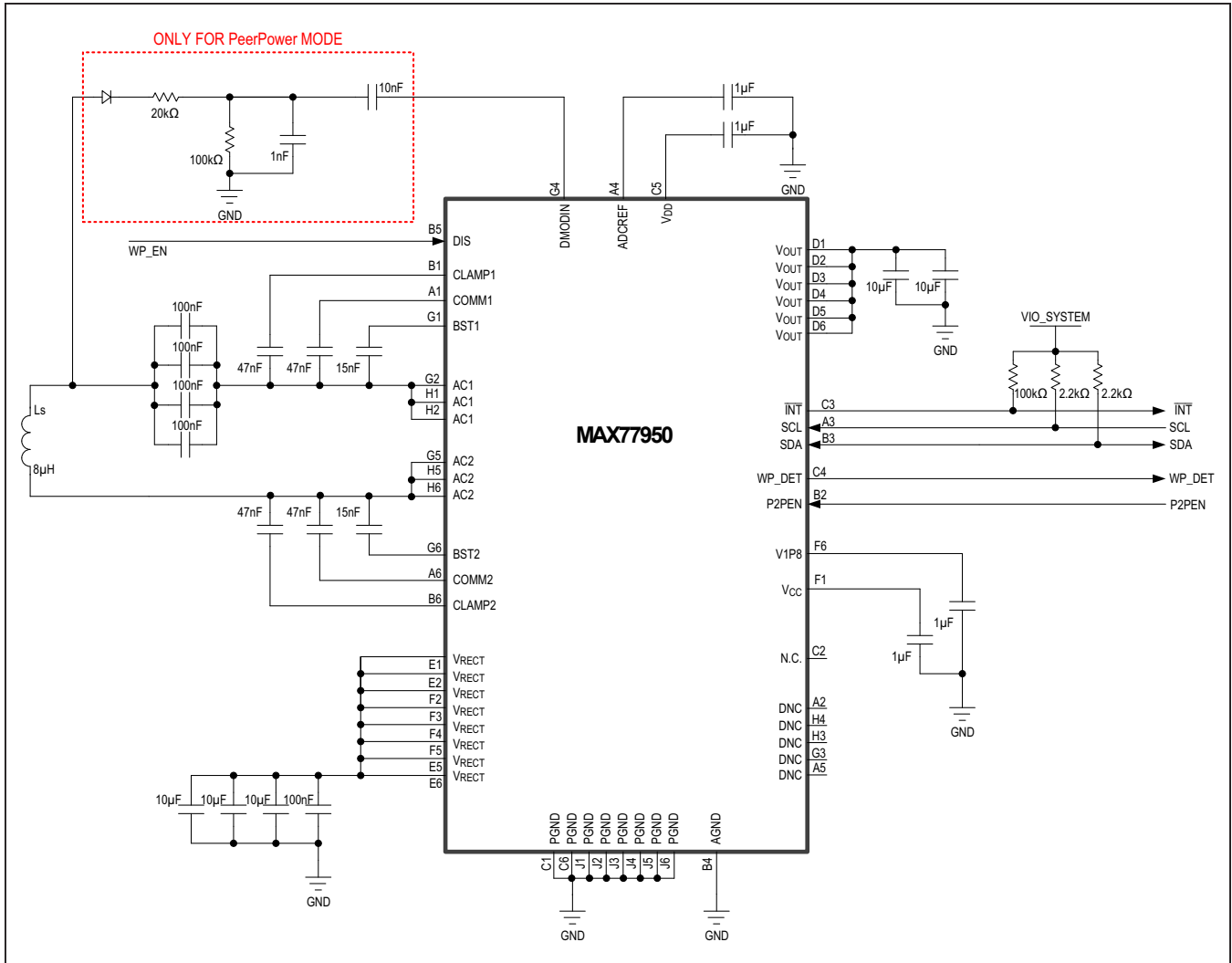
BITFIELD	BITS	DESCRIPTION
PMA_ADV_DATA	7:0	Data from the PMA advertisement packet received from the PMA transmitter.

**PMA\_ADV\_CRC (0xDC)**

BIT	7	6	5	4	3	2	1	0
Field	RESERVED[3:0]				PMA_ADV_CRC[3:0]			
Reset	0b0000				0b0000			
Access Type	Read Only				Read Only			

BITFIELD	BITS	DESCRIPTION
RESERVED	7:4	RSVD
PMA_ADV_CRC	3:0	CRC code in the PMA advertised packet received from the PMA transmitter.

Typical Application Circuit



Ordering Information

PART NUMBER	TEMP RANGE	PIN-PACKAGE
MAX77950EWW+T	-40°C to +85°C	52-bump WLP, 0.4mm pitch

+ Denotes a lead(Pb)-free/RoHS-compliant package.  
T = Tape-and-reel.

## Revision History

REVISION NUMBER	REVISION DATE	DESCRIPTION	PAGES CHANGED
0	3/17	Initial release	—

For pricing, delivery, and ordering information, please contact Maxim Direct at 1-888-629-4642, or visit Maxim Integrated's website at [www.maximintegrated.com](http://www.maximintegrated.com).

*Maxim Integrated cannot assume responsibility for use of any circuitry other than circuitry entirely embodied in a Maxim Integrated product. No circuit patent licenses are implied. Maxim Integrated reserves the right to change the circuitry and specifications without notice at any time. The parametric values (min and max limits) shown in the Electrical Characteristics table are guaranteed. Other parametric values quoted in this data sheet are provided for guidance.*