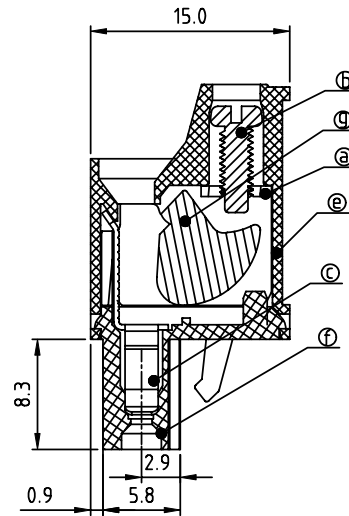
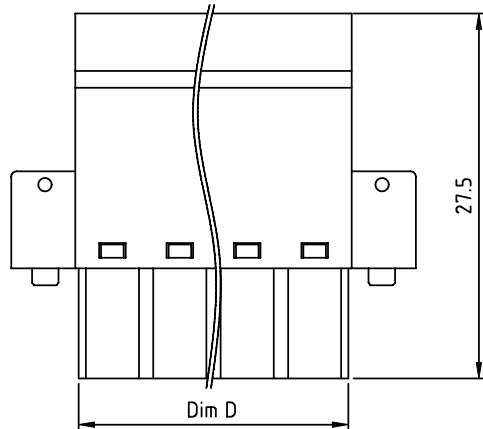
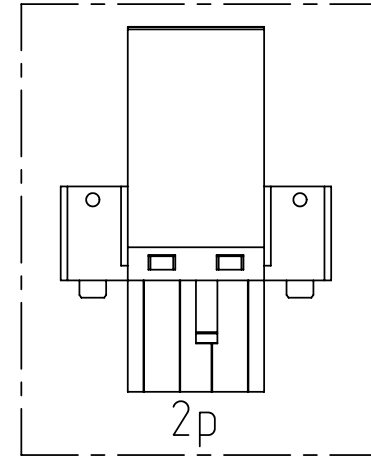
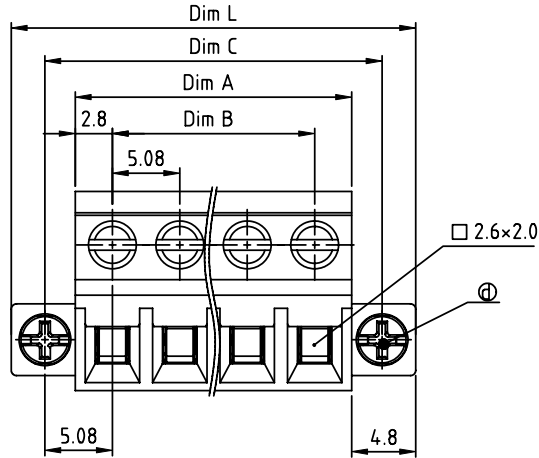


PRODUCT NUMBER	PITCH
VMxx55x200J0G	5.08 mm



Material:

- Item①Clamp: Steel zinc plated.
- Item②Terminal screw: Steel Zinc plating "-" slot type
- Item③Female contact: High conductivity copper Tin plated
- Item④With flange screw: Steel zinc plated M2.5 "+/-" slot type
- Item⑤Terminal (top body): Thermoplastic (UL94V-0)
- Item⑥Terminal (bottom body): Thermoplastic (UL94V-0)
- Item⑦Clampcase: Steel Zinc plated

Electrical cULus/TUV

- Voltage rating: 300VAC/300VAC
- Current rating: 20A/20A
- Wire range: 0.34-2.5mm²
- Solid wire(AWG): 12-22
- Stranded wire(AWG): 12-22
- Torque: 3.5Lb-In / 0.4Nm
- Screw: M2.5
- Wire strip length: 8-9mm
- Withstanding Voltage: 1.6KV/2.5KV
- Operating temperature: -40°C to +115°C
- Safety approval:

N = Number of poles
 Dim L=(N-1)x5.08+15.24
 Dim A=Nx5.08+0.5
 Dim B=(N-1)x5.08
 Dim C=(N-1)x5.08+10.16
 Dim D=Nx5.08

poles	Tolerance
2P-6P	±0.20
7P-12P	±0.25
13P-18P	±0.30
19P-24P	±0.40

PART NO.: VM xx 55 x 2 00J0 G

	Solid block	No. of poles	Color	RoHS compliant (lead<4%) In copper Alloy
	0	2	Black (RAL9005)	
	02	2 poles	Red (RAL3001/D)	
	03	3 poles	Orange(RAL2011/P)	
	04	3 poles	Yellow(RAL1018/A)	
	5 Green(RAL6018/T)	
	24	24 poles	6 Blue (RAL5015/A)	
			8 Grey(RAL7035/D)	
			9 White(RAL1102)	
			C Green(RAL6018/U)	

mat'l. code		surface ASME Y14.5	tolerance ASME Y14.5	projection	product family
ltr ecn no dr date		tolerances unless otherwise specified			TERMINAL BLOCK
		angles	X.±0.5	MM	title
		±1°	X.X±0.3	scale	TERMINAL BLOCK
			X.XX±0.1		PLUGGABLE PLUG, WITH FLANGE
dr		EVIN ZHONG	042114		dwg no
enrg		EVIN ZHONG	042114		sheet 1 of 1
chr		HANKE FENG	042114		size
appd		SHI JUN	042114		A4
sheet index		revision sheet	A 1	type CUSTOMER Drawing	